



SPECIFICATION SHEET



Direct Burial

FEATURES



REQUIREMENTS

- 10 YEAR FREE REPLACEMENT WARRANTY
- FULLY DIMMABLE WITH LOW VOLTAGE MAGNETIC DIMMER
- COMPRESSION MOLDED, GLASS FILLED ABS POLYMER
- RESISTANT TO RUST, CORROSION, OILS, GASOLINE, & DETERGENTS
- STANDARD WITH MANDATORY SECONDARY PROTECTION
- PRIMARY WIRING COMPARTMENT & ANTI-SIPHON BARRIER
- MEETS OR EXCEEDS ALL UL, CUL, ANSI/UL, CSA REQUIREMENTS
- 7 THREADED KO'S FOR EASY PRIMARY AND SECONDARY WIRING INSTALLATION
- 2 - 1/2" KO'S ON LID FOR FIXTURES. 2 - 3/4"KO'S AND 3 - 1/2" KO'S FOR INSTALLATION

- CONFORMS TO UL 1838 FOR LANDSCAPE LIGHTING
- MANDATORY SECONDARY PROTECTION, AS STATED IN THE NATIONAL ELECTRIC CODE ARTICLE 411, (1993, 1996, 2002, 2005, AND 2008)
- MAY BE USED WITH INDIVIDUAL "LISTED" COMPONENTS TO MEET SYSTEM REQUIREMENTS AS LONG AS ALL PARTS ARE LISTED TO SAME ANSI/UL STANDARD

PART NUMBER	DB100-TX	DB300-TX
PRIMARY VOLTAGE	120VAC	120VAC
OUTPUT VOLTAGE	12-15VAC / 15A	12-15VAC / 25A
FREQUENCY	60Hz	60Hz
WATTAGE	100 Watts	300 Watts
DIMENSIONS	18" x 8" x 6"	18" x 8" x 6"
WEIGHT	10 LBS	12 LBS

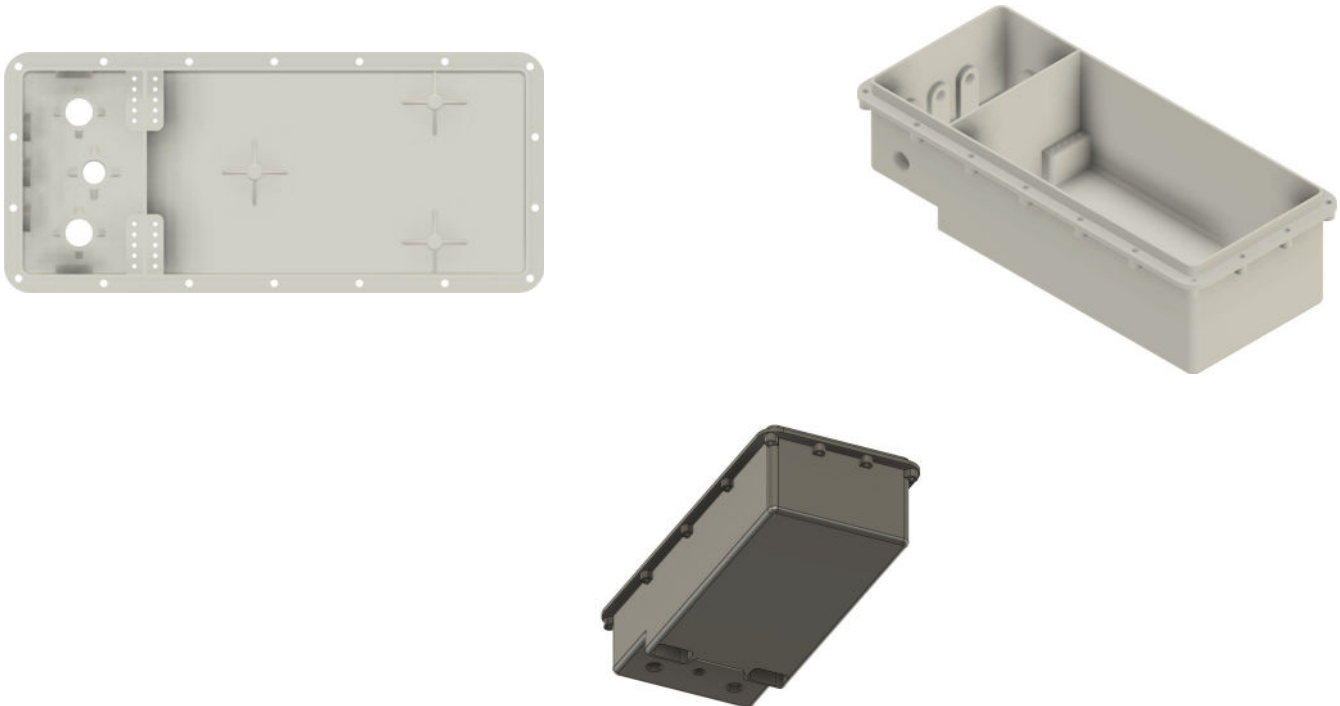


TX DIRECT BURIAL

THIS ENCLOSURE IS MADE WITH GLASS FILLED POLYMERS.

Glass-filled plastics are composite materials consisting of a polymer matrix—typically a thermoplastic—reinforced with chopped glass fibers to enhance mechanical, thermal, and dimensional properties. This combination results in a significantly stronger, stiffer, and more stable material compared to the base polymer alone, making it ideal for demanding technical applications.

One of the key advantages of **glass-filled plastics** is their strength-to-weight ratio. They offer a lighter alternative to metals while maintaining the necessary rigidity and structural integrity. They also exhibit high creep resistance, meaning they retain their shape under constant loads, and better crack propagation resistance compared to non-reinforced plastics.



This product must be installed per Local, State, and National Code Codes. Failure to adhere to these codes and installation instructions may result in serious injury, and/or damage to the fixture, and will void the warranty