

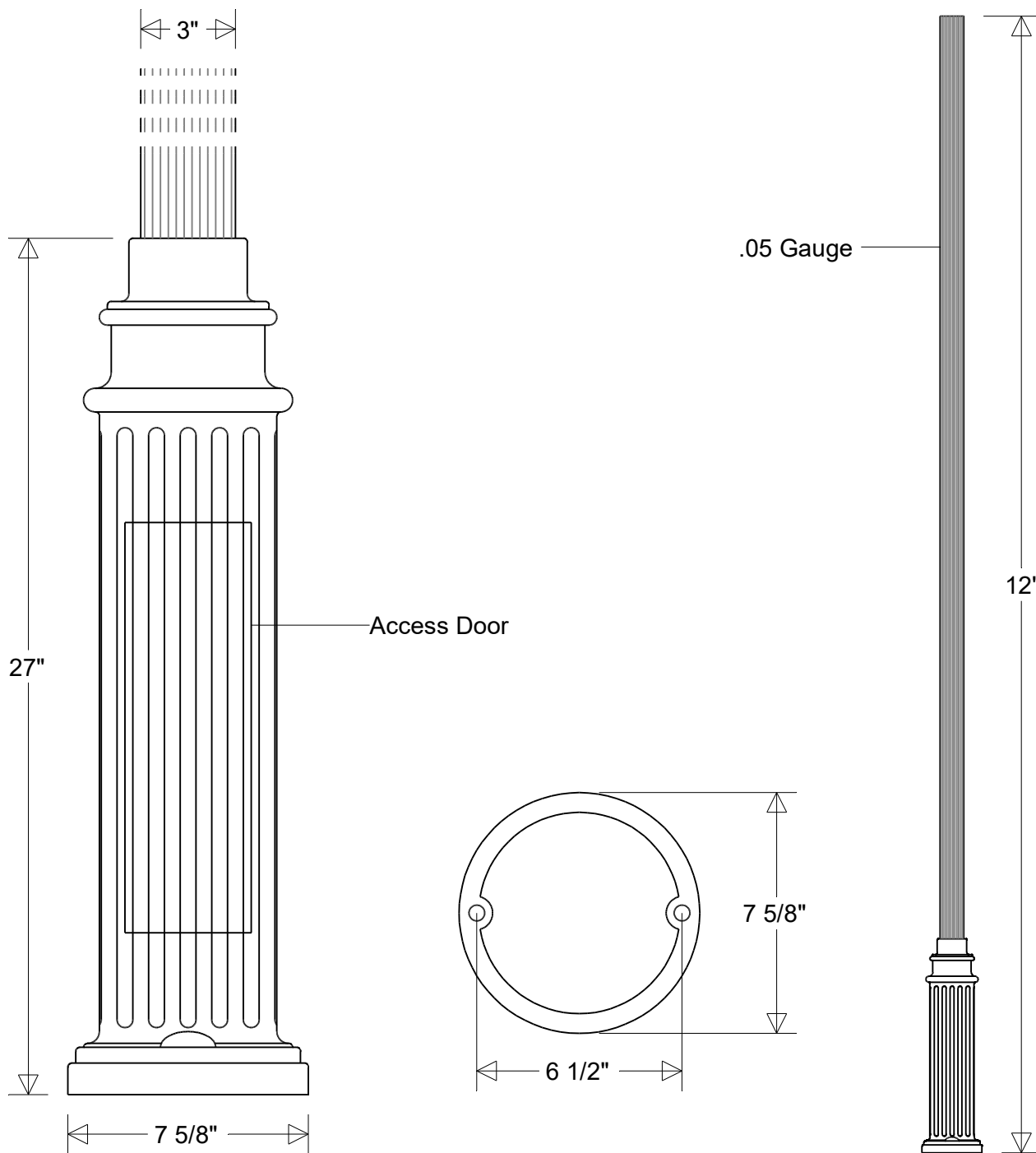


Primelite Manufacturing Corp.

407 S Main St, Freeport, NY 11520
 Phone: (516) 868-4411 | Fax: (516) 868-4609
 sales@primelite-mfg.com | www.primelite-mfg.com

PROUDLY MADE IN THE USA SINCE 1962!
"SPECIALTIES ARE OUR SPECIALTY!"

Job Info



#7712

3" Dia | 12' H | .05 Gauge Top
 1/2" Bolts Included (2) | 6 1/2" Bolt Circle

Lamp: N/A	Finish: 29 Oven Baked Powder Coated Paints	Drawn: CB 09/2025	Scale: S1: 1/5 S2: 1/20	Approvals
Voltage: N/A	Material: Aluminum	Note: All dimensions are nominal. Actual dimensions may vary.		