

KTN-L Katen-Large LED Area Light

INSTALLATION INSTRUCTIONS



WARNING: ALWAYS INSTALL FIXTURES ACCORDING TO NATIONAL ELECTRICAL CODE (NEC) AND LOCAL CODES. FAILURE TO DO SO WILL VOID THE WARRANTY AND COULD CAUSE DAMAGE TO THE FIXTURE OR MAY RESULT IN PERSONAL INJURY.

This information deals with structures supplied by Techlight along with certain safety issues. It is **NOT** a comprehensive description of how to install these structures. Installation contractors must be relied upon for equipment and practices that meet the conditions of each job location. Techlight cannot be responsible for any damage that may occur during or after installation, or for any structure that has been modified by the purchaser or that is used in some way other than our application recommendations.

CAUTION: MAKE CERTAIN POWER SUPPLY IS DISCONNECTED DURING INSTALLATION! TURN ELECTRICITY OFF AT THE CIRCUIT BREAKER BEFORE INSTALLING OR PERFORMING MAINTENANCE ON FIXTURE.

HARDWARE KITS: Each mounting option is provided with a Hardware Kit specific to that mounting option.

NOTE: Always verify the voltage at which the incoming power is supplied. The KTN-L fixture is available in two separate models; one auto-ranging from 100V~300V and another model for 347V~480V operation. If lens is damaged, replace with a new Techlight specific lens.

INSTALLATION USING THE KTN ARM

a. **Tools Required:** 3/8" hex key or Allen wrench, 1/2" socket

1. **Remove** the wire access cover on the KTN ARM to expose the mounting holes used to mount the arm to the pole.
2. **Position** the nut plate inside the pole so that the mounting holes in the nut plate and pole line up with the mounting holes in the KTN ARM (**FIGURE 1**).
If mounting on a round pole use the round pole adaptor - KTN(4RA or 5RA); 4" or 5" pole, position the round pole adapter between the pole and KTM ARM.
3. **Secure** the mounting arm to the pole using the (2) flat washers, (2) lock washers, (2) 1/2"-13 x 2" Socket head bolts. Torque bolts to 30-35 ft/lbs. minimum.
4. **Pull** the fixture whip into the wiring chamber of the mounting arm and slide the fixture onto the slide mount onto the arm (**FIGURE 1**).
5. **Connect** the power to the lighting fixture whip inside the KTN ARM according to local code and the National Electric Code (NEC).
6. **Close** the wire access cover of the KTN ARM. Then insert and tighten the (2ea) 5/16-18 hex screws. Tighten cap screws to 12 ft/lbs. torque min.

FIGURE 1 KTN ARM - POSITION ON POLE & PULL WIRING THROUGH

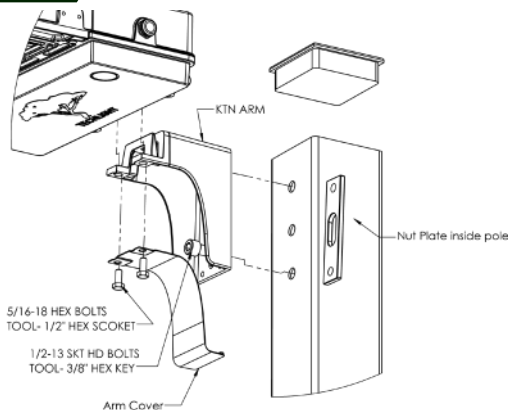
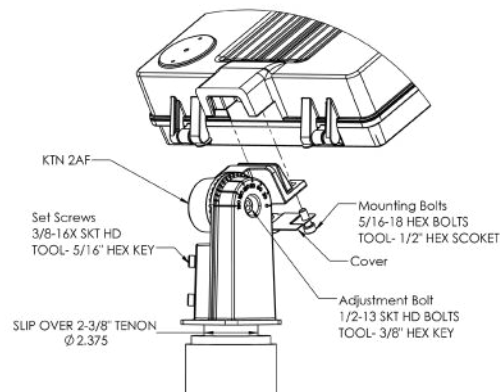


FIGURE 2 KTN 2AF - MOUNT 2AF ONTO TENON & PULL WIRING THROUGH



INSTALLATION USING THE KTN 2AF

a. **Tools Required:** 3/8" hex key or Allen wrench, 1/2" socket, 5/16" hex key or Allen wrench

1. **Mount** the KTN 2AF onto a 2-3/8" OD tenon (2" Nominal Pipe). Place KTN 2AF on pole tenon and orient to desired position. Tighten set screws lightly.
2. **Pull** the fixture whip through the KTN 2AF and slide the fixture onto the slide mount adapter onto the fixture side of the KTN 2AF (**Figure 2**).
3. **Connect** the power to the lighting fixture whip inside the KTN 2AF according to local code and the National Electric Code (NEC).
4. **Close** the wire access cover of the KTN ARM. Then insert and tighten the (2ea) 5/16-18 hex screws. Tighten cap screws to 12 ft/lbs. torque min.
5. **Adjust** the fixture angle and tighten the adjustment bolt on the side of the KTN 2AF using 3/8" hex key. Torque bolts to 30-35 ft/lbs. minimum.
6. **Rotate** the fixture to the final desired orientation and secure the KTN 2AF onto the tenon by tightening the (4) set screws with 5/16" hex key. Torque bolts to 20 ft/lbs. minimum.

INSTALLATION USING THE KTN B25

a. **Tools Required:** 3/8" hex key or Allen wrench, 1/2" socket, 5/16" hex key or Allen wrench

1. **Align** KTN B25 to KTN Drill Hole pattern on the pole.
2. **Position** the nut plate inside the pole so that the mounting holes in the nut plate and pole line up with the mounting holes in the KTN B25 (**FIGURE 3**).
If mounting on a round pole use the round pole adaptor - KTN(4RA or 5RA); 4" or 5" pole, position the round pole adaptor between the pole and KTN B25.
3. **Secure** the mounting arm to the pole using the (2) flat washers, (2) lock washers, (2) 1/2"-13 x 2" Socket head bolts. Torque bolts to 30-35 ft/lbs. minimum.
4. **Remove** the wire access cover on the KTN B25.
5. **Pull** the fixture whip into the wiring chamber of the mounting arm and slide the fixture onto the slide mount onto the arm (**FIGURE 3**).
6. **Insert** and tighten the (2ea) 5/16-18 hex screws. Tighten cap screws to 12 ft/lbs. torque min.
7. **Connect** the power to the lighting fixture whip inside the KTN B25 according to local code and the National Electric Code (NEC).
8. **Close** the wire access cover of the KTN B25 with gasket in place.
9. **Adjust** the fixture angle and tighten the adjustment bolt on the side of the KTN B25 using 3/8" hex key. Torque bolts to 30-35 ft/lbs. minimum.

FIGURE 3 KTN B25 - POSITION ON POLE & PULL WIRING THROUGH

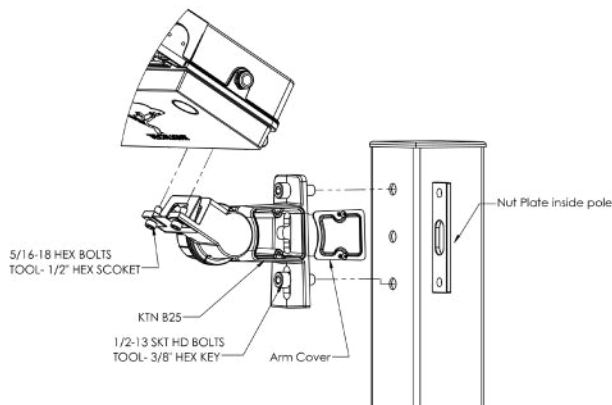
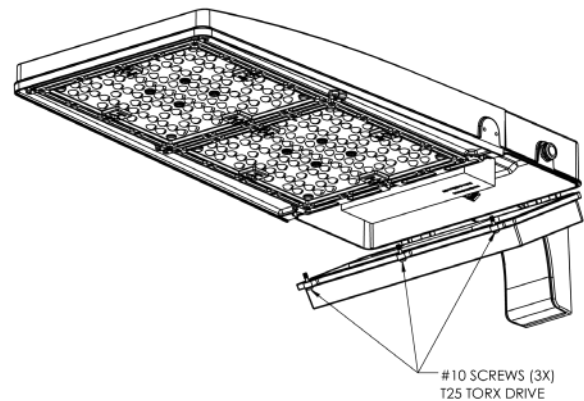


FIGURE 4 KTN-SERVICING - ACCESS TO LED COMPARTMENT



FOR SERVICING

a. **Tools Required:** T15 Torx screw driver and T25 Torx screw driver

1. **Order** Techlight driver for specific fixture model in advance.
2. **Access** the LED driver compartment for servicing by removing the three #10-24 pan head captive screws, located on the driver access door using T25 Torx screw driver (**FIGURE 4**).
3. **Replace** old LED drivers with new LED drivers. Secure driver in place with #8 screws using T15 Torx screw driver.
4. **Ensure** gasket is in place and all wires are inside driver box before closing to ensure watertight seal.
5. **Close** driver box cover using three #10-24 pan head captive screws with T25 Torx screw driver. Torque bolts to 20-25 in/lbs. minimum.

DO NOT TILT KTN-L MORE THAN 45 DEGREES UPWARD FROM HORIZONTAL!

