

Installation & Operating Instructions

Timer Ready (standard base model)

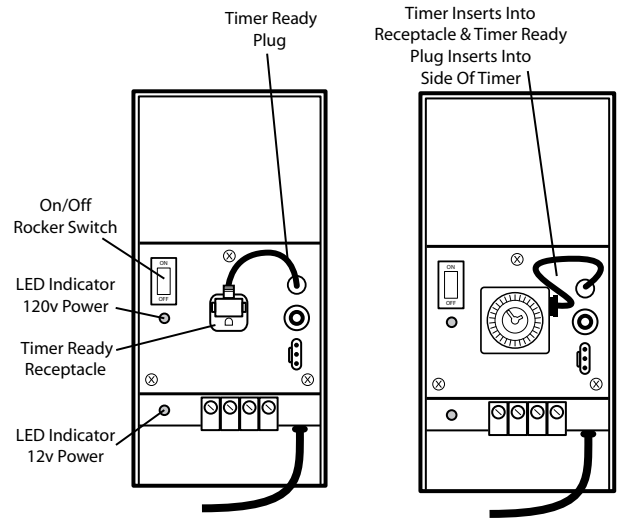
No installation is required for standard base model RXT transformers which come standard with a Plug-in Timer Ready receptacle.

Plug grounded power cord into outlet; Ground Fault Interrupter outlet (GFI) recommended. Green LED indicator on front panel under On/Off switch will light up confirming 120v power to transformer.

To operate: press rocker switch to "ON" or "OFF" position to turn lights on and off. Green LED indicator light next to terminal lugs will illuminate when 12v power to lights is on. LED indicator light will go off when 12v power is turned off.

Plug In Timer (supplied by others)

Unplug Timer Ready plug from receptacle on front panel. Plug in the Timer (supplied by others) to the receptacle on front panel. Insert Timer Ready plug into proper receptacle on Timer and turn transformer on. Follow manufacturer's instructions for operation of the Timer.



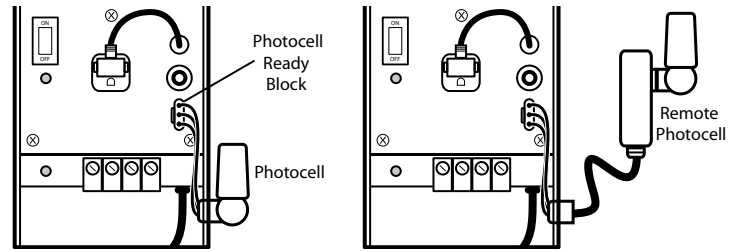
Shown w/ Plug In Timer

Photocell & Remote Photocell

Photocells must have full access to daylight. Any obstruction could affect operation of unit.

1. Unplug transformer prior to installation of Photocell.
2. On front panel, remove white male plug with Black jumper wire from Photocell Ready block. (Do not discard male plug as it can be used for load/ampere check.)
3. Determine which side of transformer has full access to unobstructed daylight and remove black plug from that side of transformer. Use Remote Photocell if transformer does not have access to unobstructed daylight.
4. Remove lock nut from Photocell; run plug and wires from Photocell through hole; replace and tighten lock nut to secure Photocell to housing. Connect male plug from Photocell to white female connector on front plate.

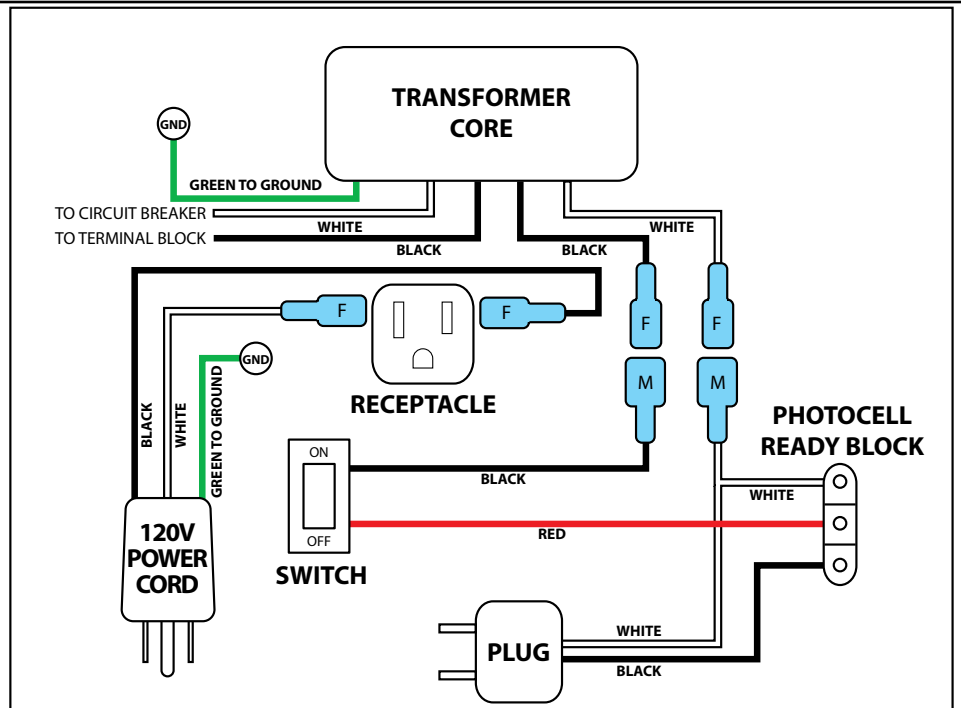
5. Plug transformer back in and power on. If a Timer is installed, set Timer permanently to "On" position for lights on at dusk and off at dawn. To have lights turned on by photocell and turned off by Timer at a specific time, for example midnight, set Timer to turn On at 12 noon (Photocell will override Timer and not allow power to lights until dusk) and set timer to time for lights to turn off.



Removing Timer Ready plate for installation of Integral Timer (-T) Digital Timer (-DT) or Astro Timer (-AT)

If Integral Timer, Digital Timer or Astro Timer was installed at the factory, skip these removal and installation instructions.

1. Using Phillips #2 screwdriver, remove three screws on face of Timer Ready plate.
2. Gently lift plate off to expose wires.
3. Unplug quick connect of black and white wire from power cord to receptacle.
4. Unplug quick connect of white wire from Photocell Ready Block to transformer core
5. Unplug quick connect of black wire from On Off Switch to transformer core.
6. Remove entire plate.



Wiring Diagram for Removal of Timer Ready Plate