



# COMMERCIAL BARBECUE LIGHT BQ-TCDO2 SERIES

TYPE

## SPECIFICATIONS

- CONSTRUCTION:** 316 stainless steel housing  
**ARM:** 24" tall 316 stainless steel ridged stem with 2.5" twin arm on top and 335° x 90° rotating swivels  
**MOUNT:** 316 stainless steel deck mount canopy  
**FINISH:** Stainless Steel – Brushed  
**LENS:** High impact clear tempered flat glass  
**O-RING:** High temperature red silicone, 70 durometer  
**SWITCH:** On/Off push button with weatherproof rubber boot cover

### 12v ELECTRICAL SPECIFICATIONS:

- LED SUPPLIED:** 7w MR16 GU5.3 Super Saver (L-48)  
 40,000 hours average rating  
**SOCKET:** High temperature ceramic GU5.3 bi-pin,  
 250°C silicone insulated lead wires  
**WIRING:** Black 10 foot 18/2 zip cord from base of fixture (12v only)  
 For 25 foot 16/2 wire add-25F to catalog number

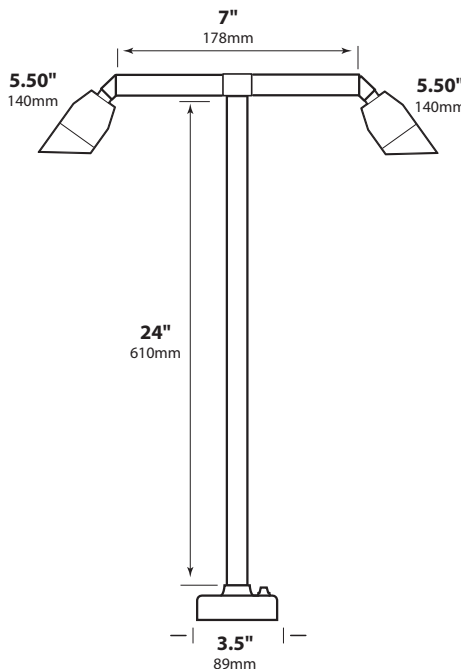
### 120v ELECTRICAL SPECIFICATIONS:

- LED SUPPLIED:** 7w ARROW PAR16 (L-134)  
 40,000 hours average rating  
**SOCKET:** High temperature ceramic Base (E26/27) medium base,  
 250°C silicone insulated lead wires  
**WIRING:** Standard Three Wire 16" lead wires from base of fixture



## ORDERING INFORMATION

CATALOG NO.	DESCRIPTION	LAMP	SHIP WEIGHT
<b>12v</b> BQTCDO2L48SS	Commercial Deck Mount BBQ Light with Twin Heads	2x 7w MR16 LED SS	5.0 lbs.
<b>120v</b> BQTCDO2L134SS	Commercial Deck Mount BBQ Light with Twin Heads	2x 7w PAR16 LED SS	5.0 lbs.



JOB INFORMATION	
Type:	Date:
Job Name:	
Cat. No.:	
Lamp(s):	
Specifier:	
Contractor:	
Notes:	
<b>FOCUS INDUSTRIES INC.</b> 25301 COMMERCENTRE DRIVE LAKE FOREST, CA 92630	
www.focusindustries.com sales@focusindustries.com (949) 830-1350 • FAX (949) 830-3390	