

LED Area Light-5

Outdoor Area Light



OVERVIEW	
Lumen Output Range	13,200 - 42,300
Wattage Range	100W - 300W
Efficacy Range (LPW)	132 - 141
Weight lbs (kg)	10.8(4.9)-17.2(7.8)

QUICK LINKS

- Ordering Guide
- Performance
- Photometrics
- Dimensions

FEATURES & SPECIFICATIONS

Construction

- Rugged die-cast aluminum housing for maximum durability and reliability.
- IP65 rated luminaire protects integral components from harsh environments.
- Shipping weight: 10.8 lbs to 17.2 lbs in carton.

Optical System

- Premium engineered IP65 rated acrylic optic assemblies deliver Type 3 or 5 distributions.
- Zero uplight with pole mount arm.
- Available in 5700K, 5000K, 4000K and 3000K color temperatures per
- Minimum CRI of 70.

Electrical

- High-performance driver features short circuit and over temperature protection with integral surge protection (6kV).
- 1-10V dimming (10% - 100%) standard.
- Standard Universal Voltage (120-277 VAC) Input 50/60 Hz.
- Total harmonic distortion: <10%
- Operating temperature: -40°C to +50°C (-40°F to +122°F).

- Power factor: >0.90
- Input power stays constant over life.
- Optional 10KV surge protection device meets a minimum.
- High-efficacy LEDs mounted to metal-core circuit board to maximize heat dissipation.

Controls

- Photocell and Motion Sensor
- Bypass cap.

Installation

- Mounting method ships separately and can be quickly connected to the luminaire.
- Wiring leads extended out of the main housing eliminating the need of opening the luminaire electrical chamber.
- Utilizes B2 pole drill pattern for arm mounting.
- Utilizes adjustable slip fitter for mast arm or tenon mounting.
- Optional die-cast slip fitter allows for mounting onto a 2.3/8" O.D. tenon allowing for tilting up to 90 degrees.

Warranty

- Luminaires carry a 5-year limited warranty. Complete warranty terms are located on our website.

Listings

- Listed to UL.
- Suitable for wet Locations.
- IP65 rated Luminaire per.
- 3G rated for ANSI C136.31 high vibration applications are qualified.
- DesignLights Consortium® (DLC) qualified product.

ORDERING GUIDE

 TYPICAL ORDER EXAMPLE: **AL5 LED 100 3 SF 57K UNV DIM BRZ**

Luminaire Prefix	Light Source	Power&Lumen	Lens&Distribution	Mounting Options	Color Temp
AL3 - Area Light 5	LED	100 - 13200-14000 lms 150 - 20012-21133 lms 200 - 25989-27358 lms 300 - 39808-42381 lms	PC - Polycarbonate Lens 3 - Type 3 4 - Type 4 5 - Type 5	DM - Square Pole Mount Arm SF - Adjustable Slip fitter UM - Flood mounting bracket YM - Yoke mounting bracket	50 - 5000K CCT 40 - 4000K CCT 30 - 3000K CCT
Voltage	Driver	Finish	Options	Controls (Choose One)	
UNV - Universal Voltage (120-277V) 480 - High Power (277-480V)	DIM - 1-10V Dimming(10-100%)	BRZ -Bronze WHT -White Option - Custom Color	(Blank) - None SPD - 10kV Surge Protection Device IHS - Integral House Side Shield 3NP - 3pins photocell 5NP - 5pins photocell 7NP - 7pins photocell		

Accessory Ordering Information

Mounting Accessories	
Description	Order Number
Adjustable Slip Fitter for Mast Arm and Tenon	SF
Square Pole Mount Arm for Mast Arm and Tenon	DM
Yoke mounting bracket	YM
Flood mounting bracket	UM

FOOTNOTES:

- 1 - Other power is unavailable, consult factory.
- 2 - Mounting and accessories are shipped together but not field installed.
- 3 - Fusing must be located in hand hole of pole.
- 4 - "BRZ" denotes finish. See Finish options.



PERFORMANCE

[Back to Quick Links](#)

DELIVERED LUMENS*														
Wattage	Distribution	CRI	5700K			5000K			4000K			3000K		
			Delivered Lumens	Efficacy	BUG Rating	Delivered Lumens	Efficacy	BUG Rating	Delivered Lumens	Efficacy	BUG Rating	Delivered Lumens	Efficacy	BUG Rating
100w	Type 3	83	13768.0	140.49	B3-U0-G3	13457.6	137.47	B3-U0-G3	13235.9	135.21	B3-U0-G3	12969.9	132.63	B3-U0-G3
	Type 5		13825.7	141.57	B4-U0-G2	13564.1	138.59	B4-U0-G2	13377.2	136.68	B4-U0-G2	13152.9	134.09	B4-U0-G2
150w	Type 3	83	21133.0	141.15	B3-U0-G3	20697.1	138.26	B3-U0-G3	20385.8	136.18	B3-U0-G3	20012.2	133.70	B3-U0-G3
	Type 5		21383.8	142.73	B4-U0-G2	21016.7	140.17	B4-U0-G2	20754.5	138.42	B4-U0-G2	20439.8	136.22	B4-U0-G2
200w	Type 3	83	27358.0	141.70	B4-U0-G3	26825.8	138.50	B4-U0-G3	26445.7	136.54	B4-U0-G3	25989.6	133.76	B4-U0-G3
	Type 5		27304.1	140.75	B5-U0-G3	26787.7	137.95	B5-U0-G3	26418.9	136.05	B5-U0-G3	25976.3	133.63	B5-U0-G3
300w	Type 3	83	42381.3	140.90	B4-U0-G4	41380.6	137.79	B4-U0-G4	40665.8	135.41	B4-U0-G4	39808.1	132.76	B4-U0-G4
	Type 5		42657.3	142.03	B5-U0-G4	41941.4	139.48	B5-U0-G4	41430	137.78	B5-U0-G4	40816.4	135.58	B5-U0-G4

*LEDs are frequently updated therefore values are nominal.

ELECTRICAL DATA*				
Wattage	120V	208V	240V	277V
100w	0.83	0.48	0.42	0.36
150w	1.25	0.72	0.63	0.54
200w	1.67	0.96	0.83	0.72
300w	2.50	1.44	1.25	1.08

*Electrical data at 25C (77F). Actual wattage may differ by +/-0.3%.

RECOMMENDED LUMEN MAINTENANCE (14L-45L) ¹					
Ambient Temperature °C	Cinitial ²	3K hrs. ²	5K hrs. ³	7K hrs. ³	10K hrs. ³
1C-85C	100%	99.82%	99.34%	98.9%	98.49%

1 - Lumen maintenance values at 25C are calculated per TM-21 based on LM-80 data and in-situ testing.

2 - In accordance with IESNA TM-21-11, Projected Values represent interpolated value based on time durations that are within six times the IESNA LM-80-08 total test duration for the device under testing.

3 - Lumen maintenance values at 25C are calculated per TM-21 based on LM-80 data and in-situ testing times the IESNA LM-80-08 total test duration for the device under testing.

LUMINAIRE EPA CHART						
100W-150W	Single	D180°	D90°	T90°	TN120°	Q90°
EPA	0.59ft ²	1.16ft ²	0.78ft ²	1.16ft ²	1.16ft ²	1.16ft ²
200W-300W	Single	D180°	D90°	T90°	TN120°	Q90°
EPA	0.84ft ²	1.68ft ²	1.05ft ²	1.68ft ²	1.68ft ²	1.68ft ²

PHOTOMETRICS

[Back to Quick Links](#)

Luminaire photometry has been conducted by an accredited laboratory in accordance with IESNA LM-79. As specified by IESNA LM-79 the entire luminaire is tested as the source resulting in a luminaire efficiency of 100%.

AL5 300W T3

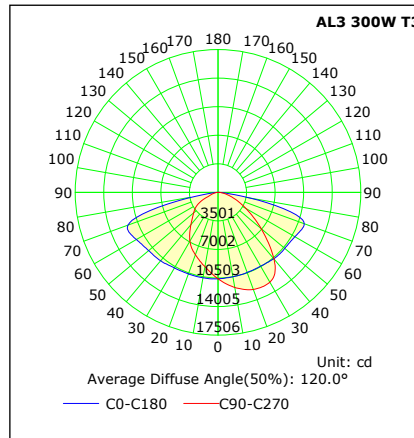
LUMINAIRE DATA

Type 3 Distribution	
Description	3000 Kelvin, 70 CRI
Delivered Lumens	39,808
Watts	300
Efficacy	132.76
IES Type	Type III - Medium
BUG Rating	B4-U0-G4

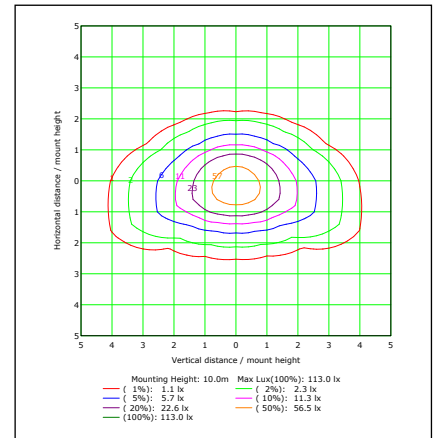
Zonal Lumen Summary

Zone	Lumens	%Luminaire
Low (0-30)°	8,816.20	22.10%
Medium (0-60)°	29,067.90	73.00%
High (60-90)°	10,737.40	27.00%
Very High (70-100)°	4,646.10	11.7%
Uplight (90-120)°	0	0%
Total Flux	39,808.10	100%

Luminous Intensity Distribution Curve



ISO FOOTCANDLE



AL5 300W T5

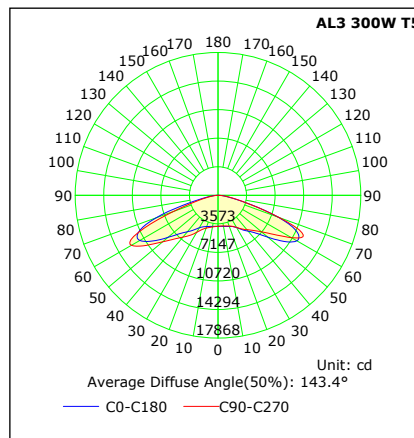
LUMINAIRE DATA

Type 5 Distribution	
Description	3000 Kelvin, 70 CRI
Delivered Lumens	40,816
Watts	300
Efficacy	135.58
IES Type	Type V - Medium
BUG Rating	B5-U0-G4

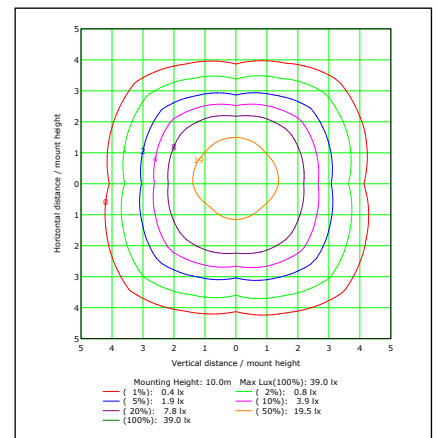
Zonal Lumen Summary

Zone	Lumens	%Luminaire
Low (0-30)°	3,674.10	9%
Medium (0-60)°	21,392.80	52.40%
High (60-90)°	19,423.80	47.60%
Very High (70-100)°	7,229.80	17.70%
Uplight (90-120)°	0	0%
Total Flux	40,816.50	100%

Luminous Intensity Distribution Curve



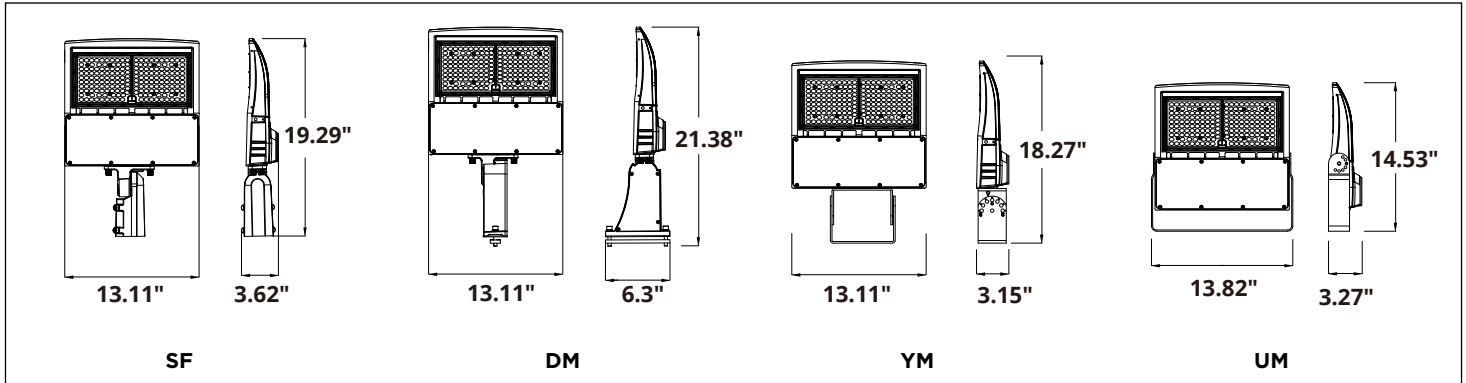
ISO FOOTCANDLE



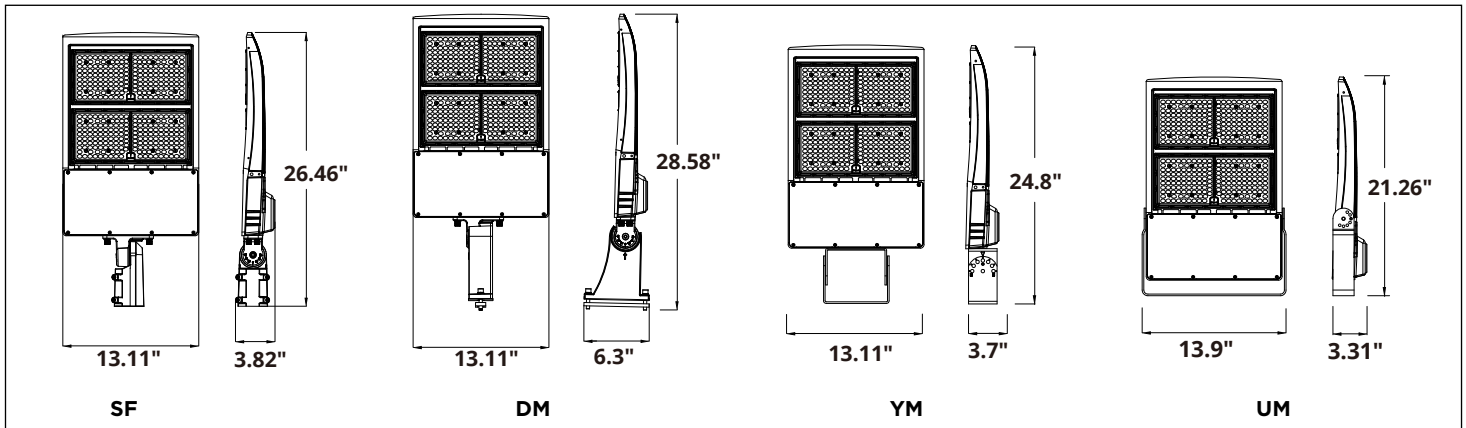
PRODUCT DIMENSIONS

[Back to Quick Links](#)

100W, 150W



200W, 300W



SHIELD



LED Area Light-5

MOUNTING

[Back to Quick Links](#)
