

# DL-42 SERIES DIRECTIONAL LIGHT





GO GREEN

## SPECIFICATIONS

**CONSTRUCTION:** Cast aluminum or Cast brass integrated heat sink base; matching cast adjustable swivel with 240° rotation; Extruded aluminum, brass or copper housing (copper housing has brass base)

**LENS:** High impact clear tempered convex glass

**O-RING:** 2x High temperature red silicone

**LIGHT SOURCE:** Integrated 450 lumen 7w LED module (equivalent to 35w halogen) with 6 high power Cree XPE LEDs; 50,000 hours average rating. 2800k color temperature.

**OPTICS:** Interchangeable spot (15°), flood (40°), wide flood (60°) and very wide flood (no optics)

**12v DRIVER:** Integrated on-board, no external driver required. 12v AC/DC input. Voltage range 9-18v; Optimum operating range 12v-15v

**120v DRIVER: HW-1212LED\*** 120v Input, 12v AC output LED Driver

**120v/277v DRIVER: HW-12-20MVLED\*** 90v-277v Input, 12v DC output LED Driver

\*Must use FA-26 mounting post or junction box

**WIRING:** Black 3 foot 18/2 zip cord from base of fixture (12v only)

For 25 foot 16/2 fixture lead wire add -25F to catalog number.

**CONNECTION:** FA-05 Quick Connector (not supplied) from fixture to main cable (12/2, 10/2 or 8/2 only)

### MOUNTING:

Aluminum model: FA-03 black 9" ABS stake, tapped 1/2" NPS

Brass & Copper models: FA-03-LG large black 9" ABS stake, tapped 1/2" NPS

**FINISH:** Aluminum - Black texture polyester powder coat. Optional finishes available.

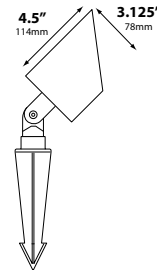
Brass & Copper - Unfinished. Optional finishes available.



DL-42-LEDM1540-BLT

## ORDERING INFORMATION

CATALOG NO.	DESCRIPTION	LAMP	SHIP WEIGHT
DL-42-LEDM715-BLT	Aluminum Bullet, 15° Optics	7w LED Module	3.0 lbs.
DL-42-LEDM740-BLT	Aluminum Bullet, 40° Optics	7w LED Module	3.0 lbs.
DL-42-LEDM760-BLT	Aluminum Bullet, 60° Optics	7w LED Module	3.0 lbs.
DL-42-LEDM7WF-BLT	Aluminum Bullet, No Optics	7w LED Module	3.0 lbs.
DL-42-LEDM715-BRS	Brass Bullet, 15° Optics	7w LED Module	5.0 lbs.
DL-42-LEDM740-BRS	Brass Bullet, 40° Optics	7w LED Module	5.0 lbs.
DL-42-LEDM760-BRS	Brass Bullet, 60° Optics	7w LED Module	5.0 lbs.
DL-42-LEDM7WF-BRS	Brass Bullet, No Optics	7w LED Module	5.0 lbs.
DL-42-LEDM715-COP	Copper Bullet, 15° Optics	7w LED Module	5.0 lbs.
DL-42-LEDM740-COP	Copper Bullet, 40° Optics	7w LED Module	5.0 lbs.
DL-42-LEDM760-COP	CopperBullet, 60° Optics	7w LED Module	5.0 lbs.
DL-42-LEDM7WF-COP	CopperBullet, No Optics	7w LED Module	5.0 lbs.



Beam Type	Angle	Visual Indicator
Spot	15°	Red Dot
Flood	40°	Green Dot
Wide Flood	60°	Blue Dot



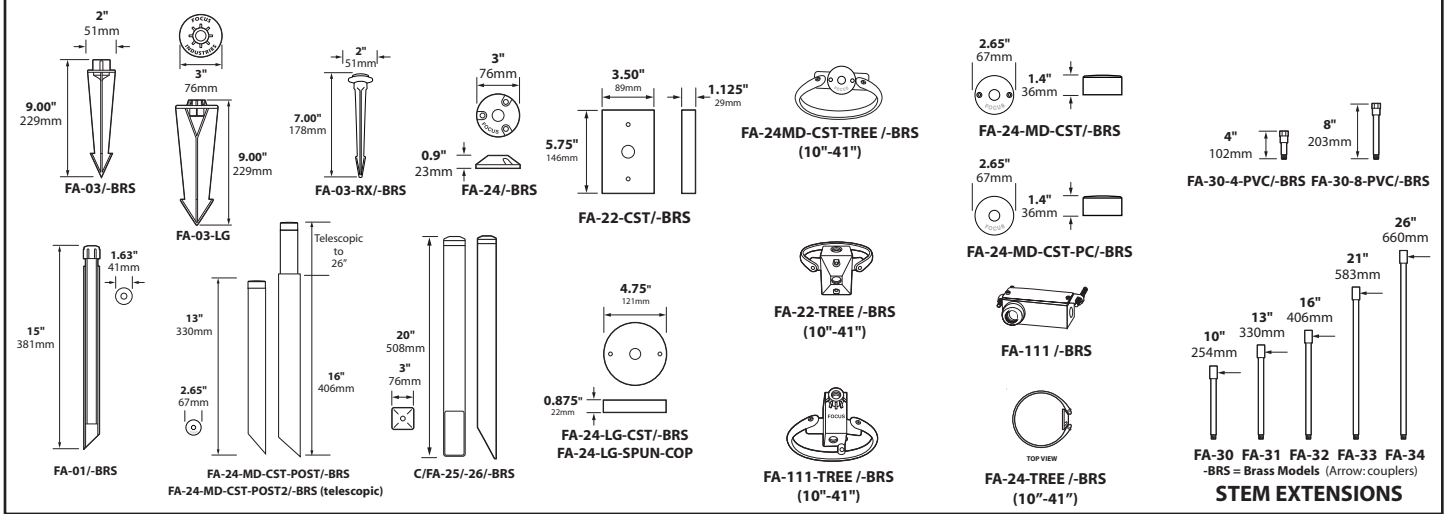
## BEAM/GLARE CONTROL ACCESSORIES

FA-08-DL-42-21	Round 1/4" Hex Cell Louver
FA-35-DL-42-GREEN	Green Acrylic Insert Lens
FA-11-DL-42-BLUE	Blue Tempered Glass Insert Lens
FA-11-DL-42-GREEN	Light Green Tempered Glass Insert Lens
FA-11-DL-42-AMBER	Amber Tempered Glass Insert Lens
FA-11-DL-42-RED	Red Tempered Glass Insert Lens
FA-104-DL-42-SB	Wide Spread Sandblasted Glass Insert Lens Softener

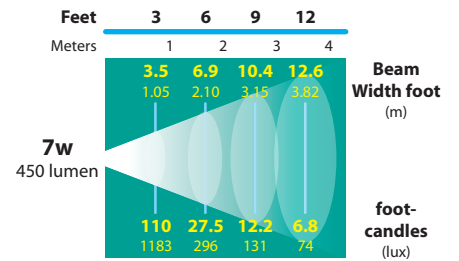
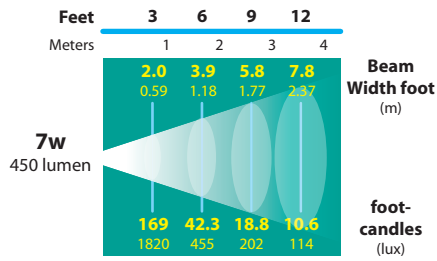
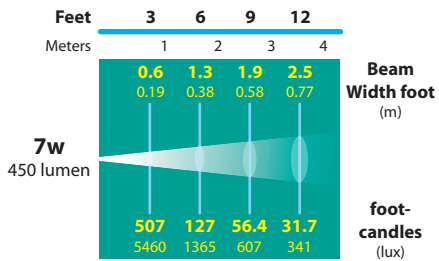


Black Texture (Standard)	Antique Verde	Bronze Texture	Camel	White Texture	Hunter Texture	Rust	Weathered Iron	Weathered Brown	Stucco	Rubbed Verde	Chrome Powder	Acid Rust	Acid Verde	Black Acid Treatment
-BLT	-ATV	-BRT	-CAM	-WTX	-HTX	-RST	-WIR	-WBR	-STU	-RBV	-CPR	-BAR/CAR	-BAV/CAV	-BAT

## MOUNTING ACCESSORIES



## LIGHT DISTRIBUTIONS AND PHOTOMETRICS



Black Texture (Standard)	Antique Verde	Bronze Texture	Camel	White Texture	Hunter Texture	Rust	Weathered Iron	Weathered Brown	Stucco	Rubbed Verde	Chrome Powder	Acid Rust	Acid Verde	Black Acid Treatment
-BLT	-ATV	-BRT	-CAM	-WTX	-HTX	-RST	-WIR	-WBR	-STU	-RBV	-CPR	-BAR/CAR	-BAV/CAV	-BAT