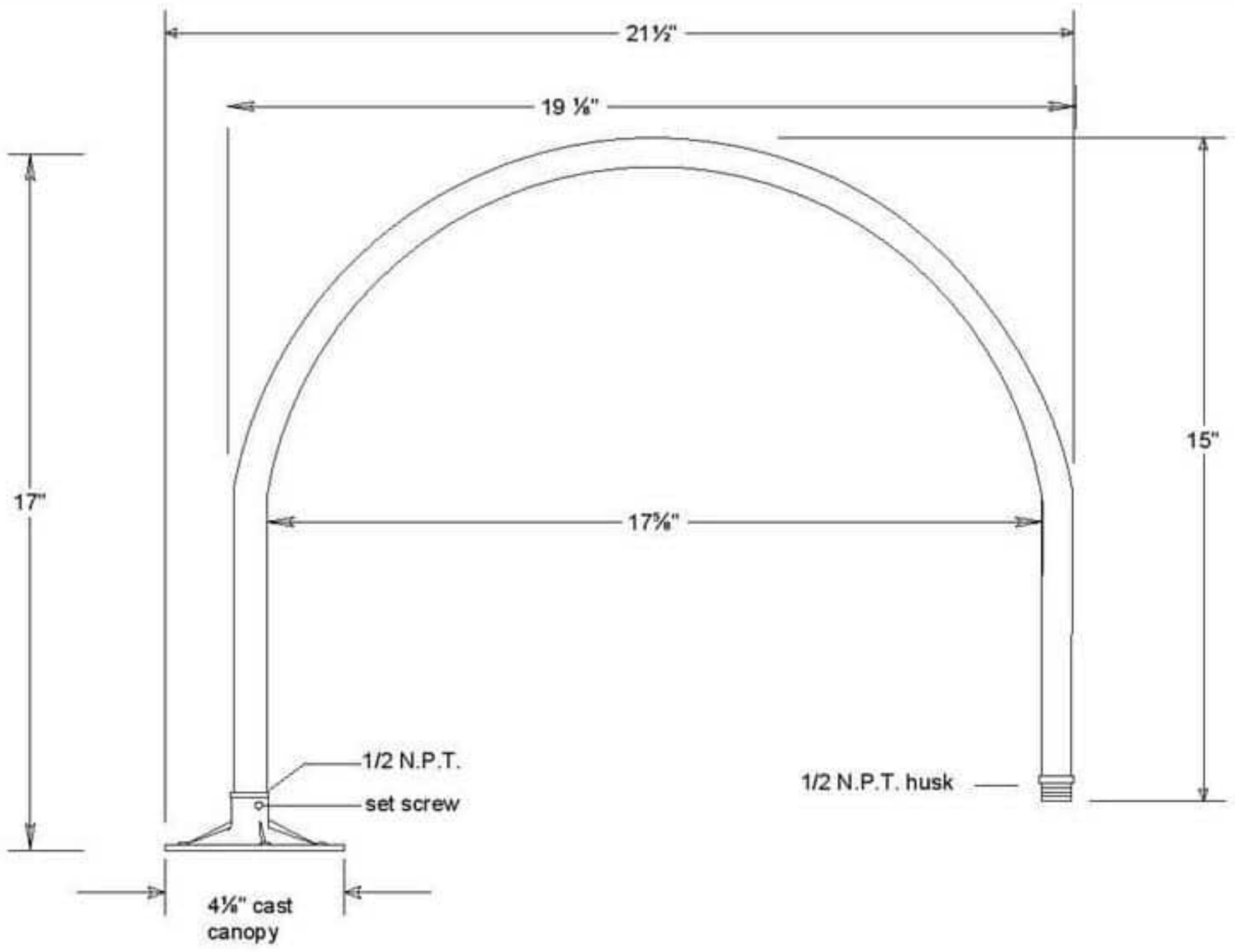


|                       |          |     |         |     |       |                            |
|-----------------------|----------|-----|---------|-----|-------|----------------------------|
| PART #<br><b>#852</b> | LAMP     | r/a | VOLTAGE | r/a | COLOR | <b>Powder Coated Paint</b> |
|                       | JOB NAME |     |         |     | TYPE  | <b>Wall Mount Arm</b>      |



|  |           |      |                           |                                   |               |          |
|--|-----------|------|---------------------------|-----------------------------------|---------------|----------|
| <b>Unless Otherwise Specified:</b><br>Dimensions in Inches<br>Tolerances: Fractional ±<br>Angular: Mach ± Bend ±<br>Two Place Decimal ±<br>Three Place Decimal ± | Name      | Date | <b>Gooseneck Arm #852</b> |                                   |               |          |
|  | Drawn     | iv   |                           |                                   |               | 12/01/17 |
|  | Checked   |      |                           | 19 1/4" Arm   1/2" Pipe   Parapet |               |          |
|  | ENG Appr. |      |                           |                                   |               |          |
| Construction: Aluminum   | MFR Appr. |      | Size                      | Drawing No.                       | Rev           |          |
|  | QA        |      | <b>A</b>                  | <b>0001</b>                       | <b>A</b>      |          |
|  | Comments  |      | Scale                     | CAD File                          | Sheet         |          |
|  |           |      |                           |                                   | <b>1 of 1</b> |          |

| Revisions |     |             |      |          |
|-----------|-----|-------------|------|----------|
| Zone      | Rev | Description | Date | Approved |
|           |     |             |      |          |
|           |     |             |      |          |
|           |     |             |      |          |