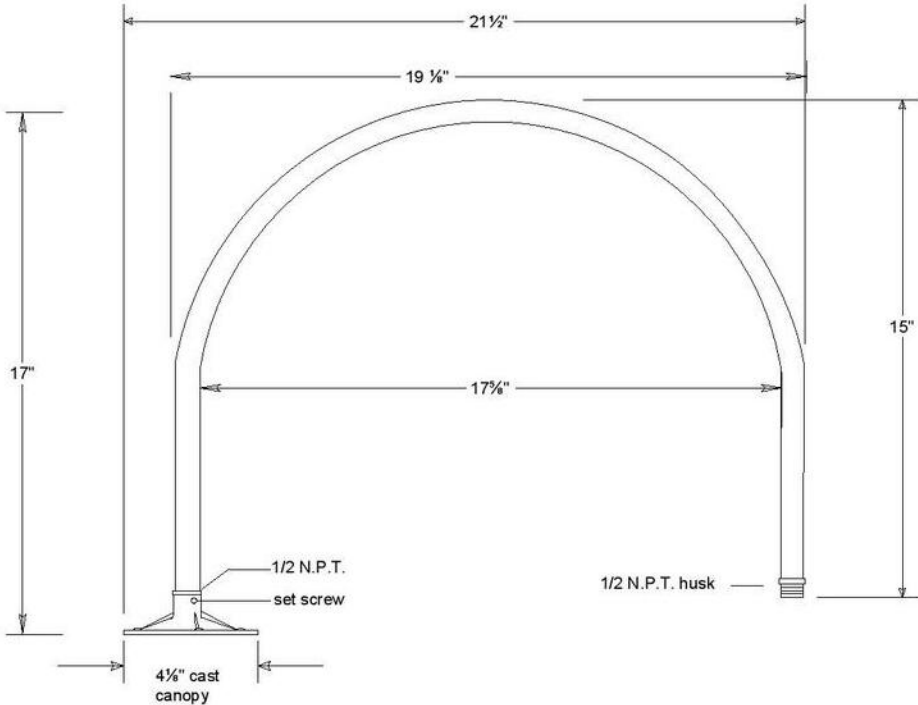


PART #	LAMP	VOLTAGE	COLOR
#852	n/a	n/a	Powder Coated Paint
JOB NAME			TYPE
			Wall Mount Arm



Unless Otherwise Specified: Dimensions in Inches Tolerances: Fractional ± Angular: Match ± Bend ± Two Place Decimal ± Three Place Decimal ±	Name	Date	Gooseneck Arm #852			
	Drawn	iv				12/01/17
	Checked			19 1/2" Arm 1/2" Pipe Parapet		
	ENG Appr.					
Construction: Aluminum	QA		Size	Drawing No.	Rev	
	Comments		A	0001	A	
			Scale	CAD File	Sheet	
					1 of 1	

Revisions				
Zone	Rev	Description	Date	Approved