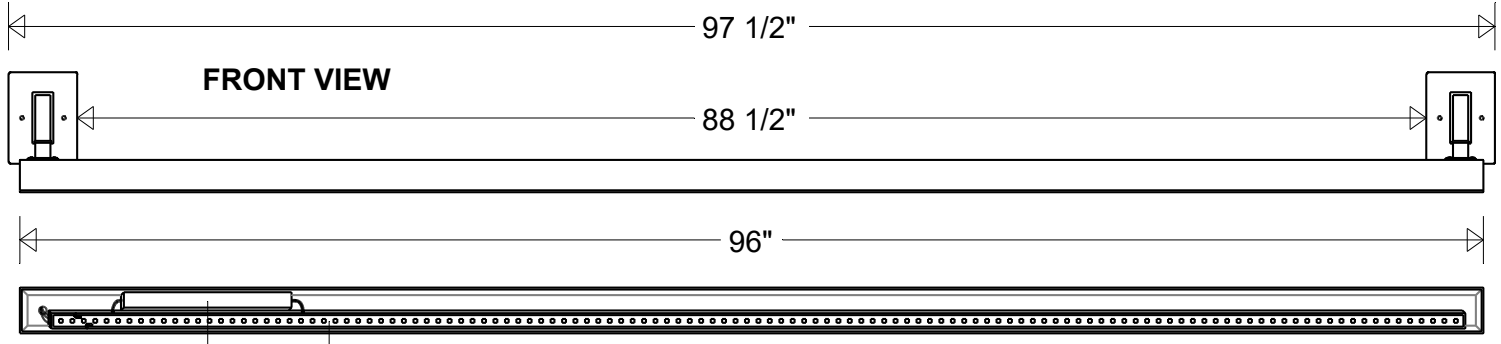
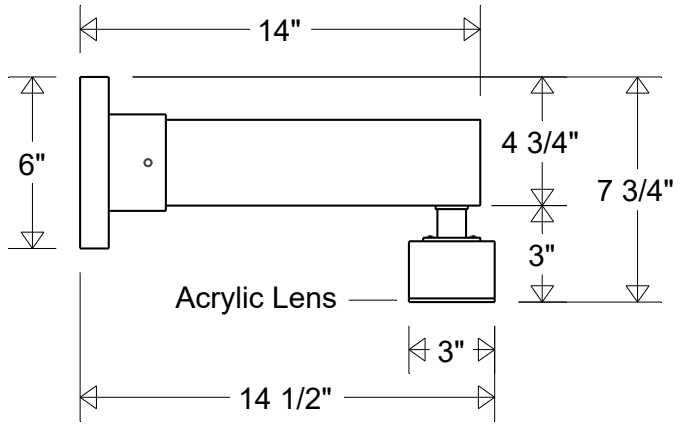


PART #	#5751/861 LED 50	LAMP	Built-In LED	VOLTAGE	120-277 V	COLOR	Powder Coated Paint
JOB NAME						TYPE	Linear Sign Light



INSIDE VIEW

Driver
LED Strip



SIDE VIEW

Acrylic Lens

Lamp: LED 50 Strip
35K or 50K: 7,795 Lumens

Construction: Aluminum | Acrylic

Unless Otherwise Specified:
Dimensions in Inches

Name	Date
Drawn CB	07/2021
Checked	
ENG Appr.	
MFR Appr.	
QA	
Weight	

Sign Light #5751/861 LED 50		
97 1/2" L 14 1/2" Ext 7 3/4" H 93" Center to Center Arms Acrylic Lens : White (-3) Clear (-4) Frosted (-5)		
Size	Drawing No.	Rev
A	0001	A
Scale	CAD File	Sheet
		1 of 1

Revisions				
Zone	Rev	Description	Date	Approved