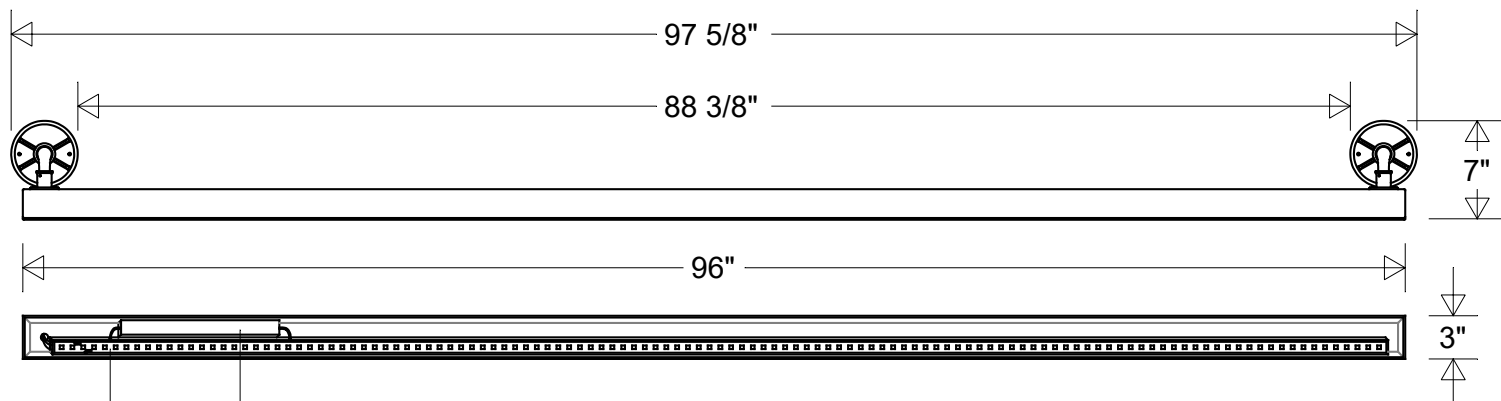


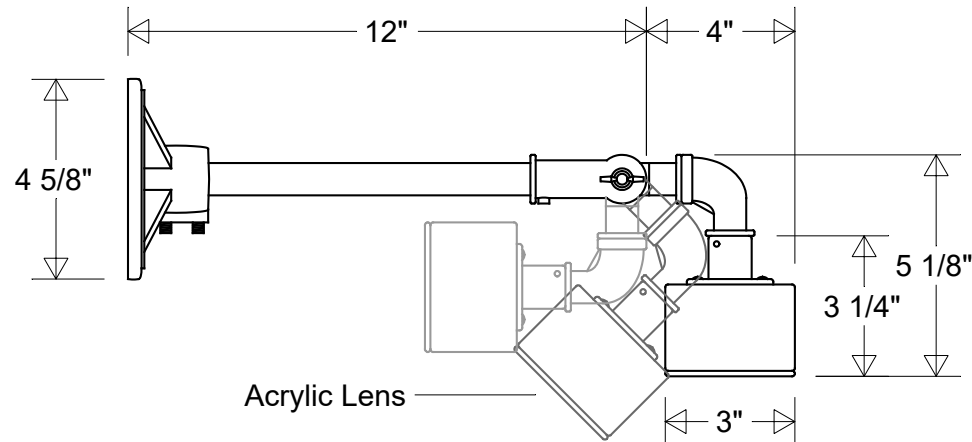
PART # #5751/855-11 ESW	LAMP Built-In LED	VOLTAGE 120-277 V	COLOR Powder Coated Paint
JOB NAME			TYPE Linear Sign Light

FRONT VIEW



INSIDE VIEW

SIDE VIEW



Lamp: LED 50 Strip 35K or 50K: 7,795 Lumens
Construction: Aluminum Acrylic
Unless Otherwise Specified: Dimensions in Inches

Name	Date
Drawn CB	07/2021
Checked	
ENG Appr.	
MFR Appr.	
QA	
Weight	

Sign Light #5751/855-11 ESW LED 50			
97 5/8" L 12" Ext 7" H 93" Center to Center Arms Acrylic Lens : White (-3) Clear (-4) Frosted (-5)			
Size A	Drawing No. 0001	Rev A	
Scale	CAD File	Sheet 1 of 1	

Revisions				
Zone	Rev	Description	Date	Approved