

OMNI

12V DC Puck Light

Designed for recessed or surface mounting, the 12V low voltage Omni puck is perfect for adding accent, under-cabinet, in-cabinet, and other small niche area lighting. Featuring 2700K color temperature with 90+CRI and up to 150 lumen output per puck, the Omni is also available in three designer finishes (Black, Nickel, and White) perfect for any application.

- 2700K color temperature
- High color rendering (90+ CRI)
- Low voltage - 12V DC operation
- Available in three puck kits or single pucks
- Recessed or surface mount low profile design
- Dimmable with most TRIAC, CL, and ELV dimmers
- cETLus Listed for dry location (3 puck kits only)
- 30,000 hours rated life
- Surface or recess mount (2-1/4" cut-out); mounting screw included



TUNABLE CCT

OMNI QUICK SPECS

| | |
|-----------------------|---|
| VOLTAGE | 12V DC |
| WATTAGE | 3.2W per puck |
| LUMENS | 140Lm (BK) per puck / 150Lm (WH) per puck |
| CCT | 2700K |
| CRI | 90+ |
| MAX RUN | Dependent upon capacity of power supply |
| DIMMING | 15-100%* dependent upon power supply used |
| BEAM ANGLE | 120° |
| LED TYPE | 6 x 2835 SMD LEDs |
| CERTIFICATIONS | Indoor, Dry Location |
| RATED LIFE | 30,000 hours |

*Minimum loads may apply. Per the NEC, switched wall outlets cannot be used with wall dimmers.

OMNI ORDERING INFORMATION

| ITEM NUMBER | VOLTAGE | FINISH | CCT | LUMENS | WATTAGE |
|--------------|---------|--------|-------|--------|---------|
| OMNI-1-WH | 12V DC | White | 2700K | 150Lm | 3.2W |
| OMNI-3KIT-WH | 12V DC | White | 2700K | 150Lm | 3.2W |
| OMNI-1-BK | 12V DC | Black | 2700K | 140Lm | 3.2W |
| OMNI-3KIT-BK | 12V DC | Black | 2700K | 140Lm | 3.2W |

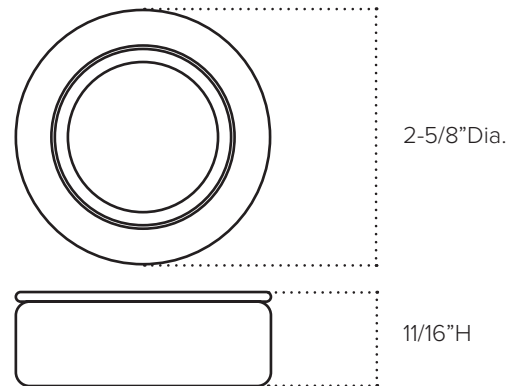
Bulk Pucks Include: Attached 78" lead wire, Mounting hardware

Three Puck Kits Include: (3) Omni Pucks with attached 78" lead wire, (1) 6' power cord with 3-port terminal block and rocker switch, Mounting hardware

| |
|-----------------|
| PROJECT: |
| TYPE: |
| LOCATION: |
| CATALOG NUMBER: |



OMNI QUICK DIMENSIONS



RECOMMENDED POWER SUPPLIES

| ITEM NUMBER | DESCRIPTION | APPLICATION | PRIMARY & SECONDARY | WATTAGE | LISTING | DIMENSIONS |
|----------------------|--|--------------|----------------------------|---------|---------|--|
| PS-12-12VPI-T | Class 2 dimmable (with AL-PWM-6A sold separately) plug-in driver | Dry location | 100-120V AC, 60Hz / 12V DC | 12W | cETLus | 6ft power cord with rocker switch; 6ft lead with 6-port terminal block; 4-11/16"x2-3/8"x11/16" |
| LED-DR30-12 | Constant voltage hardwire driver | Dry location | 100-240 AC / 12V DC | 30W | cURus | 6-1/2"x1-3/4"x1-3/16" |
| ELV-30-12 | Constant voltage hardwire driver | Dry location | 100-130V AC / 12V DC | 30W | cETLus | 7-1/16"x2-3/8"x1-3/8" |
| ELV-45-12 | Constant voltage hardwire driver | Dry location | 100-130V AC / 12V DC | 45W | cETLus | 7-1/16"x2-3/8"x1-3/8" |



AMERICAN LIGHTING WARRANTY

LIMITED WARRANTY FOR LED PRODUCTS: 3 YEARS

LIMITED PRODUCT WARRANTY

Our products are warranted to be free from defects in material and workmanship for the warranty period listed. Warranty periods begin from the date of shipment from American Lighting Inc's warehouse to the original purchaser. Products that prove to be defective during their specific warranty period will be either repaired or replaced, at the sole discretion of American Lighting Inc. Claims for defective products must be submitted in writing to American Lighting Inc's RGA Department within the warranty period. Upon approval of such return, American Lighting Inc reserves the right to inspect the product for misuse or abuse. Claims for indirect or consequential damages or for product that, in American Lighting Inc's opinion, has been misused will be denied. This is a warranty of product reliability only and not a warranty of merchantability or fitness for a particular purpose. American Lighting Inc shall have no liability whatsoever in any event for payment of incidental or consequential damages, including, without limitations, installation costs and/or damages for personal injury and/or property. These products may represent a possible shock or fire hazard if improperly installed or altered in any way. This warranty does not apply to any product that has not been properly installed in accordance with current local codes and/or the National Electrical Code. Products that require a transformer, driver, or power supply must be used in conjunction with American Lighting Inc's recommended power supply to ensure safety and retain product warranty.

PRODUCT SPECIFICATIONS

For the latest product information, updates, instructions and details concerning specifications, colors, finishes, performance, installation and design, visit www.americanlighting.com. Color may vary from the color printed herein due to limitations in photographic and printing processes. American Lighting Inc. reserves the right to change product specifications without notice. Other product specifications such as color temperature, wavelength characteristics and lumen output are subject to production limitations and may vary. LED technology is changing rapidly, and not all color temperatures and performance levels can be duplicated at a later time. Best practices include purchasing 10-15% more for a particular project on the same initial order where white LED color temperatures must be maintained over project and product life. Eventual product replacement should be considered at layout and design stages. Best practices also include testing connections and product performance prior to mounting and/or installing.

AVERAGE LIFE

Average incandescent lamp life, rated life and average life are terms used to describe the number of hours at which half of the lamps have failed. For LEDs, the hours of rated life specify the point where 70% of original lumen output is reached. Below this point, the effective life is over, however, the LED may still emit light. Individual results may vary with actual environmental conditions including, but not limited to, proper installation, ambient temperature and/or input voltage fluctuations.