

LED Area Light-3C

Outdoor Area Light



OVERVIEW	
Lumen Output Range	39000-43500
Wattage Range	300W/240W/200W
Efficacy Range (LPW)	130-145
Weight lbs (kg)	14.11(6.4)

QUICK LINKS

[Ordering Guide](#)
[Performance](#)
[Photometrics](#)
[Dimensions](#)

FEATURES & SPECIFICATIONS

Construction

- Rugged die-cast aluminum housing for maximum durability and reliability.
- IP65 rated luminaire protects integral components from harsh environments.
- Shipping weight: 14.11lbs.

Optical System

- Premium engineered IP65 rated acrylic optic assemblies deliver Type 2, 3, 4 or 5 distributions.
- Zero uplight with pole mount arm.
- Available in 5000K, 4000K and 3000K color temperatures per
- Minimum CRI of 80.

Electrical

- High-performance driver features short circuit and over temperature protection with integral surge protection (10kV).
- 0-10V dimming (0% - 100%) standard.
- Standard Universal Voltage (120-277 VAC) Input 50/60 Hz.
- Total harmonic distortion: <10%
- Operating temperature: -40°C to +50°C (-40°F to +122°F).

- Power factor: >0.90
- Input power stays constant over life.
- Optional 10KV surge protection device meets a minimum.
- High-efficacy LEDs mounted to metal-core circuit board to maximize heat dissipation.

Controls

- Photocell and Motion Sensor
- Bypass cap.

Installation

- Mounting method ships separately and can be quickly connected to the luminaire.
- Wiring leads extended out of the main housing eliminating the need of opening the luminaire electrical chamber.

- Utilizes B2 pole drill pattern for arm mounting.
- Utilizes adjustable slip fitter for mast arm or tenon mounting.
- Optional die-cast slip fitter allows for mounting onto a 2.2/8" IP, 2.4/8" O.D. tenon allowing for tilting up to 90 degrees.

Warranty

- luminaires carry a 5-year limited warranty. Complete warranty terms are located on our website.

Listings

- Listed to UL.
- Suitable for wet Locations.
- IP65 rated Luminaire per.
- 3G rated for ANSI C136.31 high vibration applications are qualified.
- DesignLights Consortium® (DLC) qualified product.

LED Area Light-3C

[Back to Quick Links](#)

ORDERING GUIDE

 TYPICAL ORDER EXAMPLE: **AL3C 300 3 DM CCT UNV DIM BRZ**

Luminaire Prefix	Light Source	Power&Lumen	Lens&Distribution	Mounting Options	Color Temp
AL3C-Led Area Light 3C series	LED	300W - 39000lm-43500lm	3 - Type 3 4 - Type 4	DM - Direct mount AM - Slip fitter YM - yoke mount FM - Flood mount	CCT- 3000K, 4000K and 5000K CCT selectable
Voltage	Driver	Finish	Controls (Choose One)	Options	
UNV - Universal Voltage (120-277V)	DIM - 0-10V Dimming(0-100%)	BRZ - Bronze Option - Cutome Color		(Blank) - None SPD - 10kV Surge Protection Device IHS - Integral House Side S	

Accessory Ordering Information⁴

CONTROLS ACCESSORIES	
Description	Order Number
PC120 Photocell for use with CR7P option (120v)	122514
PC208-277 Photocell for use with CR7P option (208V, 240V, 277V)	122515
AirLink 5 Pin Twist Lock Controller	661409
AirLink 7 Pin Twist Lock Controller	661410
Shorting Cap for use with CR7P	149328

FUSING ACCESSORIES ⁵	
Description	Order Number
Single Fusing (120V)	See Fusing Guide
Single Fusing (277V)	

MOUNTING ACCESSORIES ⁶	
Description	Order Number
Round Pole Adapter for SSA/SMA for 4" or 5" OD Poles	SARPA45 BRZ
Round Pole Adapter for SSA/SMA for 3" or 3.5" OD Poles	SARPA3 BRZ
Quick Pole Mount Bracket (Square Pole)	751534 CLR
15° Quick Pole Mount Bracket (Square Pole)	740022 CLR
Wood Pole Bracket (6" Minimum OD Pole, Bronze Finish)	750440
Wall Mount Bracket (Bronze Finish)	750441
Square Pole Tenon Adapter (For 2 3/8" Tenon)	BKA 2NM Q90 BRZ
10' Linear Bird Spike Kit (3' Recommended per Luminaire)	751632

FOOTNOTES:

- 1 - below 100w and over 300w power available, consult factory.
- 2 - Control device or shorting cap must be ordered separately. See Accessory Ordering Information.
- 3 - Mounting and accessories are shipped separately and field installed.
- 5 - Fusing must be located in hand hole of pole.
- 6 - "CLR" denotes finish. See Finish options.



PERFORMANCE

DELIVERED LUMENS*											
Wattage	Distribution	CRI	3000K			4000K			5000K		
			Delivered Lumens	Efficacy	BUG Rating	Delivered Lumens	Efficacy	BUG Rating	Delivered Lumens	Efficacy	BUG Rating
300w	Type 3 lens	81	38320.5	130.97	5-0-5	45000	150	5-0-5	40749.8	139.13	5-0-5

*LEDs are frequently updated therefore values are nominal.

ELECTRICAL DATA*				
Wattage	120V	208V	240V	277V
300w	2.50	1.44	1.25	1.08

*Electrical data at 25C (77F). Actual wattage may differ by +/-0.3%.

RECOMMENDED LUMEN MAINTENANCE (4L-9L)					
Ambient Temperature	Cinitial ²	3K hrs. ²	5K hrs. ³	7K hrs. ³	9K hrs. ³
1C-85C	100%	99.82%	99.34%	98.9%	98.49%

1 - Lumen maintenance values at 25C are calculated per TM-21 based on LM-80 data and in-situ testing.

2 - In accordance with IESNA TM-21-11, Projected Values represent interpolated value based on time durations that are within six times the IESNA LM-80-08 total test duration for the device under testing.

3 - Lumen maintenance values at 25C are calculated per TM-21 based on LM-80 data and in-situ testing times the IESNA LM-80-08 total test duration for the device under testing.

LUMINAIRE EPA CHART						
AL3C-300W						
	Single	D180°	D90°	T90°	TN120°	Q90°
EPA	0.44ft ²	0.88ft ²	0.70ft ²	0.88ft ²	0.88ft ²	0.88ft ²

PHOTOMETRICS

Luminaire photometry has been conducted by an accredited laboratory in accordance with IESNA LM-79. As specified by IESNA LM-79 the entire luminaire is tested as the source resulting in a luminaire efficiency of 100%.

AL3C 300W

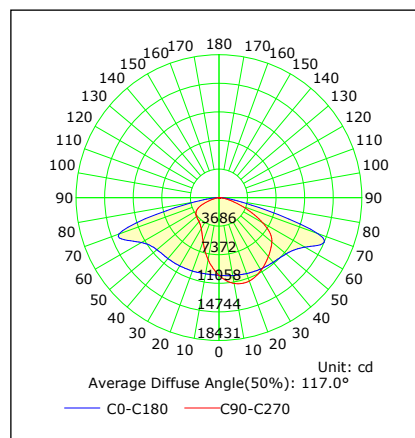
LUMINAIRE DATA

Type 3 Distribution	
Description	4000 Kelvin, 81 CRI
Delivered Lumens	41,237
Watts	295.66
Efficacy	139.52
IES Type	Type 3
BUG Rating	B5 U0 G5

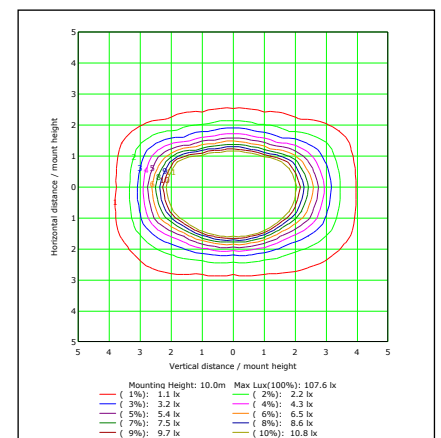
Zonal Lumen Summary

Zone	Lumens	%Luminaire
Low (0-30)°	7,311.10	18.70%
Medium (0-60)°	25,979.40	66.60%
High (60-90)°	13,041.70	33.40%
Very High (70-100)°	5,631.10	14.40%
Uplight (90-120)°	0	0%
Total Flux	41,237.20	100%

Luminous Intensity Distribution Curve



ISO FOOTCANDLE

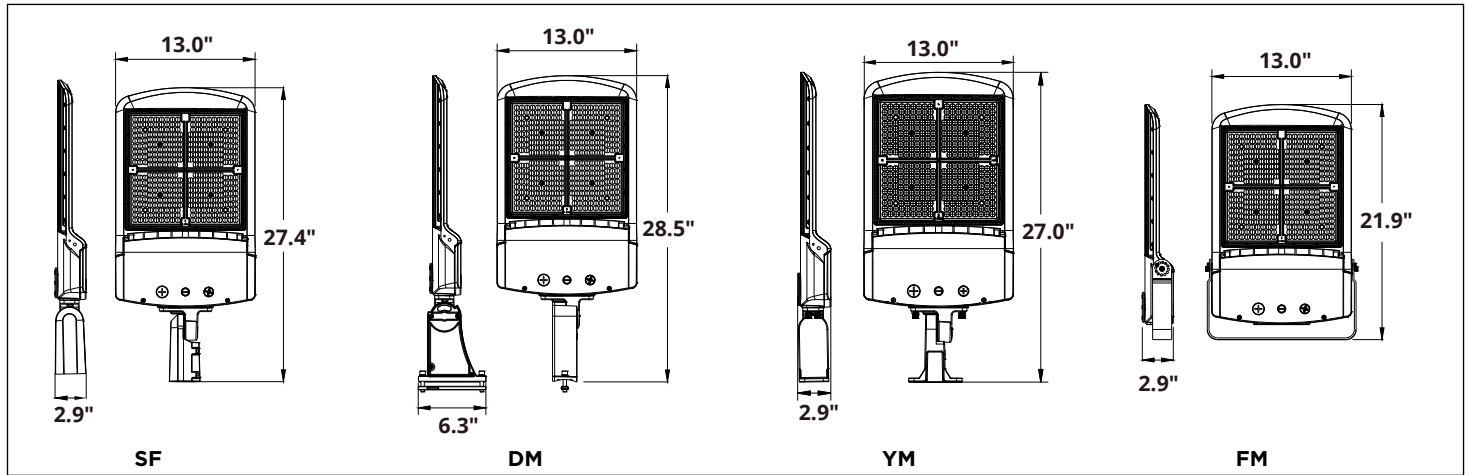


LED Area Light-3C

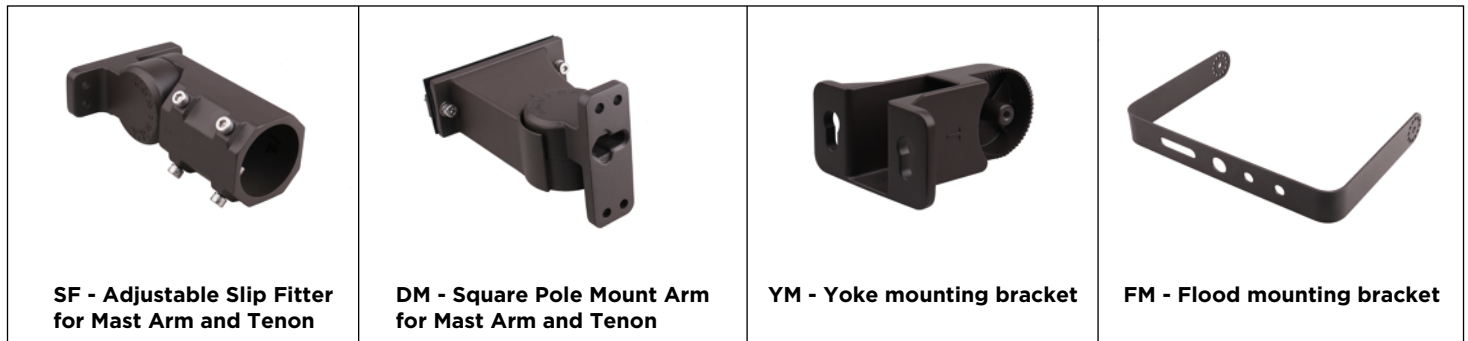
[Back to Quick Links](#)

PRODUCT DIMENSIONS

300W



MOUNTING

[Back to Quick Links](#)


SHIELD

[Back to Quick Links](#)


PACKAGE

[Back to Quick Links](#)

Stent Type	Items	Size	Qty/ Carton	Lamps Net Weight	Weight/ Carton
AM	Outer box	30.12x14.96x5.83 inch	1 PC	11.02 lbs	14.11 lbs
DM	Outer box	30.12x14.96x5.83 inch	1 PC	11.46 lbs	14.55 lbs
YM	Outer box	27.56x14.96x5.83 inch	1 PC	13.23 lbs	16.09 lbs
FM	Outer box	27.56x14.96x5.83 inch	1 PC	13.01 lbs	15.87 lbs

 Tolerance of Carton Size: ± 15 MM, Tolerance of Weight: $\pm 10\%$.