

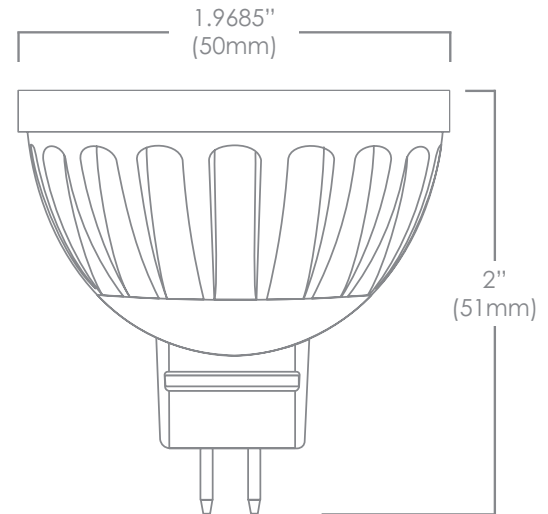
# COMMAND SERIES

## MR16



### DESCRIPTION

The Command Series redefines smart outdoor lighting with a self-contained control network that requires no Wi-Fi, hubs, or repeaters. It delivers instant response for dimming, and adjustable Kelvin temperatures, while maintaining secure, reliable performance even offline. Contractors benefit from faster installs, fewer call-backs, and lower costs thanks to its simple setup. For homeowners, it means dependable, frustration-free control, energy savings from efficient LEDs, and no ongoing subscription fees. Users can also take advantage of a dedicated remote for quick, on-the-spot control without needing a phone. With UL certification, patented “radio silent” technology, and a 50,000-hour lifespan, the Command Series raises the standard for plug-and-play smart landscape lighting.



### COMMAND SERIES MR16 FEATURES

- 80 Lamps in One
- No Wi-Fi, hubs, or repeaters needed; maintains full functionality offline.
- CRI >90
- Super Low VA
- 2, 4, 5 & 7 Watt
- 2700, 3000, 4000, 5000 Kelvin
- 15°, 24°, 38°, 60°, 120° Optic included
- Short Range Remote (*sold separately*)
- UL certified, patented “radio silent” operation, 50,000-hour rated life.

Part Number: **RC-MR16**



### COMMAND SERIES MR16 SPECS

Wattage (Setting)	2W	4W	5W	6W
<b>Volt Amps</b>	2.8	5.2	6.6	8.2
<b>Lumens</b> <b>2700K</b>	200	375	460	550
<b>Beam Spread*</b>	<b>15°, 24°, 38°, 60°, 120°</b>			
<b>Kelvin Temperature</b>	<b>2700K, 3000K, 4000K, 5000K</b>			
<b>Operating Range</b>	<b>8-25 VAC</b>			
<b>CRI</b>	<b>&gt;92</b>			
<b>Power Factor</b>	<b>200</b>	<b>375</b>	<b>460</b>	<b>550</b>
<b>IP</b>	<b>62</b>			
<b>Lamp Life (hours)</b>	<b>50,000</b>			
<b>Warranty (years)</b>	<b>3</b>			

