



# WLPN SERIES

## LED Premium Luminaire

Replaces 280 Watt MH Area Light

LED LUMINAIRE EXPERT  
WITH PROFESSIONAL SOLUTION



**UL Listing:**

Suitable for wet locations

**DLC Listed:**

This product is on the DESIGN Lights Consortium (DLC) Qualified Products List and is eligible for rebates from DLC Member Utilities.

**IESNA LM-79 & LM-80 Testing:**

ORE LED luminaires and LED components have been tested by an independent laboratory in accordance with IESNA LM-79 and LM-80.

**Driver:**

One Driver, Constant Current, Class I, 120-277V, 480V, 50-60Hz, Power Factor 98%, IP66

**THD:**

20% at 100-277V. 10% at 220-240V.

**Surge Protection:**

10KV line – earth

**Lifespan:**

Above 50,000 – hour LED lifespan based on IES LM-80 results and TM-21 calculations.

**LEDs:**

Multi-chip, high-output, long-life, **LUMILEDS** 5050 LED Chips

**Color Temp:**

4000k (Neutral)  
5000K (Cool)

**Color Uniformity:**

ORE's range of CCT (Correlated Color Temperature) follows the Chromaticity of Solid-State Lighting (SSL) Products.

**Application:**

Mechanical Processing Workshops, Storage Warehouse, Steel Mills, Gas Stations, Toll Booth, Waiting Room, The Platforms of Railway Station, Indoor Stadiums.

**Maximum Ambient****Temperature:**

Suitable for use in 131°F (55°C) ambient temperatures

**Cold Weather Starting:**

Minimum starting temperature is -40°F (-40°C)

**Operating Temperature:**

-40°F ~ 131°F (-40°C ~ 55°C)

**Housing:**

Die-cast aluminum alloy housing, lens frame and mounting arm

**IP Rating:**

Ingress Protection rating of IP66 for dust and water

**Gaskets:**

High-temperature silicone gaskets

**Finish:**

Formulated for high-durability and long-lasting color

**Green Technology:**

Mercury and UV-free. RoHS compliant components. Polyester powder coat finish formulated without the use of VOCs or toxic heavy metals

**Replacement:**

Replaces above 280W Metal Halide

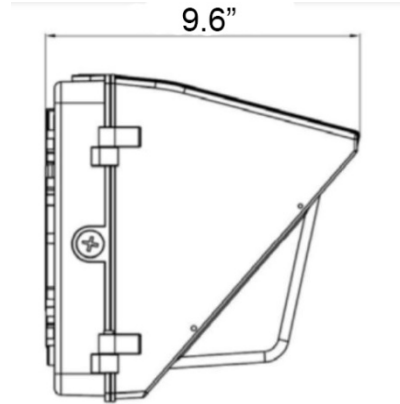
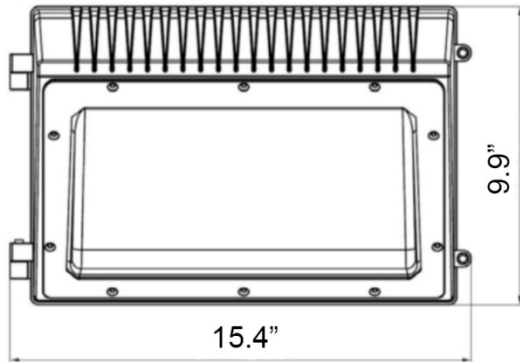
**Warranty:**

ORE warrants that our LED products will be free from defects in materials and workmanship for a period of five (5) years from the date of delivery to the end user, including coverage of light output, color stability, driver performance and fixture finish.

## ORDERING INFORMATION

---

Series	Watt	Color Temp	Finish	Voltage	Options
WPLN	50 50W 70 70W 100 100W	4K 4000K 5K 5000K	BZ Bronze	UNV 120-277	EB Emergency Battery PCT Photocell



Part NO.	Light Angle	Watts	Lumens	CCT	CRI	Volts	Replaces HID	BUG	DLC Premium
OREWPLN50	87x118°	50W	6,500	5000K	70+	100-277V		B1-U3-G4	✓
OREWPLN70	87x118°	70W	9,100	5000K	70+	100-277V	up to	B2-U4-G5	✓
OREWPLN100	87x118°	100W	13,500	5000K	70+	100-277V	280W	B3-U4-G5	✓

**OPTIONS** *(Contact regional sales for details)*

<b>PCT</b>	Photocell Control Receptacle 120-277V
<b>EB</b>	8W, 15W 20W Emergency Backup Battery LED Driver



8W, 15W, 20W Emergency Backup Battery



JL-413C Photocell