

FXLH250SFPSQW/PC2



Specification Grade 400 and 250 Watt HID floodlight with cutting edge design, architectural quality, superior features and mounting options at competitive prices.

Color: White

Weight: 32.8 lbs

Project:

Type:

Prepared By:

Date:

Lamp Info

| | |
|-------------|----------|
| Type | ED28 |
| Watts | 250W |
| Shape/Size | N/A |
| Base | N/A |
| ANSI | N/A |
| Hours | 12,000 |
| Lamp Lumens | 22,500 |
| Efficacy | 78.1 LPW |

Ballast Info

| | |
|-------------|------------|
| Type | CWA-HPF QT |
| 120V | N/A |
| 208V | N/A |
| 240V | N/A |
| 277V | 0.6/1.1A |
| Input Watts | 288W |
| Efficiency | 87% |

Technical Specifications

Listings

UL Listing:

Suitable for wet locations. Suitable for ground mounting.

Construction

Housing:

Precision die cast aluminum with Wall Bracket, Trunnion or Slipfitter

Reflector:

Anodized aluminum. Field adjustable beam spread.

Lens Frame & Glare Shield:

Precision die cast aluminum. Hinged for easy access. Phillips head screws for added security.

Finish:

Formulated for high durability and long-lasting color

Lens:

Thermal tempered shock resistant glass, 3/16" thick

Lens Gasket:

High-temperature one piece molded silicone set in die cast retaining groove. Remains in place during relamping.

EPA:

Maximum EPA 2.0.

Electrical

Socket:

HID Porcelain 4kv Pulse Rated socket with nickel plated screw shell CFL Plug in type, GX24q-4 base

Photocell:

Button Photocell 277V included. Photocell is compatible with 208V-277V.s.

Pulse Start:

Pulse Start metal halide for increased lamp life, lumen maintenance, color uniformity and efficiency

Other

Patents:

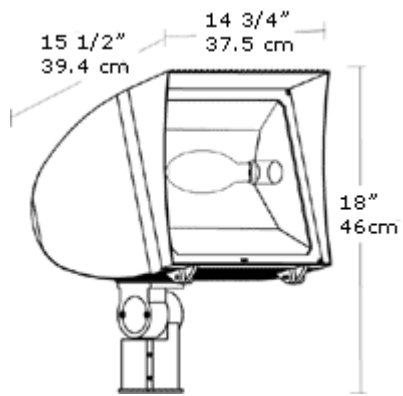
Pat. D552,283.

Buy American Act Compliance:

RAB values USA manufacturing! Upon request, RAB may be able to manufacture this product to be compliant with the Buy American Act (BAA). Please contact customer service to request a quote for the product to be made BAA compliant.

FXLH250SFPSQW/PC2

Dimensions



Features

- Integra hood glare shield for friendly lighting when properly aimed
- Silicone gasket for durable weatherproofing & easy relamping
- Precision die cast aluminum housing and lens frame with durable polyester powder coating
- Anodized aluminum reflector
- Mogul base 4kv pulse rated socket
- Two field adjustable socket positions allow fine tuning of beam spread
- Fins for heat dissipation extend lamp and ballast life