

HID-80-H-EX39-840-BYP-SB



Replace 250 - 400W HID lamps for shoebox area lights. Water/dust resistant. LED uses approximately 76% less energy than traditional HID lamps. Expandable flaps and rotatable base.

Color: White

Weight: 2.4 lbs

Project:

Type:

Prepared By:

Date:

Driver Info

Watts 80W
 Color Temp 4000K (Cool White)
 Lumens 10,000
 Efficacy 125 LPW
 Color Accuracy 80 CRI
 L70 Accuracy 50,000

LED Info

Input Voltage 100-277V
 Power Factor 0.9
 Flicker <30%
 THDi <20%
 R9

Technical Specifications

Listings

UL Listed:

Yes

UL Classified:

Yes

FCC:

Yes

Rohs:

Yes

CEC Status:

Lawful for sale in California

DLC Qualified:

Yes

DLC Listed:

This product is on the Design Lights Consortium (DLC) Qualified Products List and is eligible for rebates from DLC Member Utilities. DLC Product Code: PHV50D3Z

Description

Lamp Type:

HID

Bulb Type:

Shoe Box

Base Type:

EX39, Mogul Base

Dimmable:

No

Construction

Operating Temperature:

-20 - 40°C

Bare Lamp Illuminated Length (inches):

4.80"

MOL (inches):

8.74"

MOD (inches):

4.92"

Minimum Compartment Size (inches):

Length: 11.02"

Width: 11.02"

Height: 12.24"

LED Characteristics

Lifespan:

50,000-hour LED lifespan based on IES LM-70 results

Optical

Beam Angle:

180°

Other

Warranty:

5-years

HID-80-H-EX39-840-BYP-SB

Technical Specifications (continued)

Other

Accessories:

Surge protector available. Click [here](#) for surge protector accessory. Sold separately.

Shipping Information

Case Qty:

6

Case Dimensions:

17.52 x 10.91 x 13.58

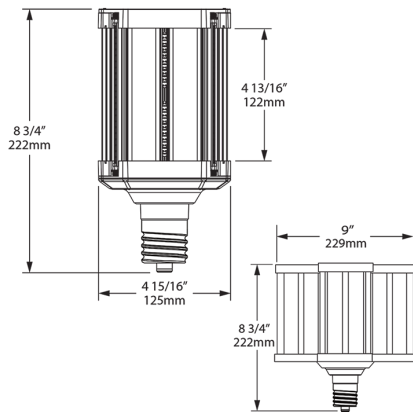
Pallet Quantity of Pieces:

108

Pallet Dimensions:

34.69 x 37.01 x 45.47

Dimensions



Features

- HID REPLACEMENT - Replacement for conventional HID lamps
- BALLAST BYPASS - Internal driver eliminates the need for external driver or ballast
- COMPACT DESIGN - Allows the lamp to fit in most fixtures
- EXPANDABLE FLAPS - Provides the light where you need it
- HEAT DISSIPATION - Thermal technology extends lifespan
- WATER & DUST RESISTANT - Ideal for outdoor fixtures
- ENCLOSED FIXTURE RATED - May be used in enclosed and open fixtures
- ENERGY SAVINGS - Uses 76% less energy than traditional lamps
- SURGE PROTECTION - Includes 4kV surge protection
- MERCURY FREE - Environmentally friendly vs fluorescent technologies
- 350°; ROTATABLE BASE - Direct light where needed

Ordering Matrix

Family	Lamp Power	Orientation	Base Type	CRI	Installation Type	Lamp Type
HID	80	H	EX39	84	BYP	SB

80 = 320W
110 = 400W

H = Horizontal

EX39 = EX39

8 = 80 CRI

BYP = Bypass

SB = Shoebox

HID-80-H-EX39-850-BYP-SB



Replace 250 - 400W HID lamps for shoebox area lights. Water/dust resistant. LED uses approximately 76% less energy than traditional HID lamps. Expandable flaps and rotatable base.

Color: White

Weight: 2.4 lbs

Project:

Type:

Prepared By:

Date:

Driver Info

Watts 80W
 Color Temp 5000K (Daylight)
 Lumens 10,000
 Efficacy 125 LPW
 Color Accuracy 80 CRI
 L70 Accuracy 50,000

LED Info

Input Voltage 100-277V
 Power Factor 0.9
 Flicker <30%
 THDi <20%
 R9

Technical Specifications

Listings

UL Listed:

Yes

UL Classified:

Yes

FCC:

Yes

Rohs:

Yes

CEC Status:

Lawful for sale in California

DLC Qualified:

Yes

DLC Listed:

This product is on the Design Lights Consortium (DLC) Qualified Products List and is eligible for rebates from DLC Member Utilities. DLC Product Code: P9STN6S7

Description

Lamp Type:

HID

Bulb Type:

Shoe Box

Base Type:

EX39, Mogul Base

Dimmable:

No

Construction

Operating Temperature:

-20 - 40°C

Bare Lamp Illuminated Length (inches):

4.80"

MOL (inches):

8.74"

MOD (inches):

4.92"

Minimum Compartment Size (inches):

Length: 11.02"

Width: 11.02"

Height: 12.24"

LED Characteristics

Lifespan:

50,000-hour LED lifespan based on IES LM-70 results

Optical

Beam Angle:

180°

Other

Warranty:

5-years

HID-80-H-EX39-850-BYP-SB

Technical Specifications (continued)

Other

Accessories:

Surge protector available. Click [here](#) for surge protector accessory. Sold separately.

Shipping Information

Case Qty:

6

Case Dimensions:

17.52 x 10.91 x 13.58

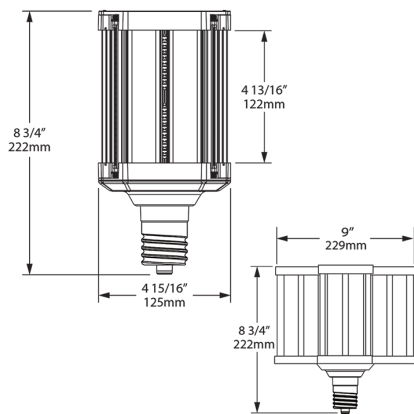
Pallet Quantity of Pieces:

108

Pallet Dimensions:

34.69 x 37.01 x 45.47

Dimensions



Features

- HID REPLACEMENT - Replacement for conventional HID lamps
- BALLAST BYPASS - Internal driver eliminates the need for external driver or ballast
- COMPACT DESIGN - Allows the lamp to fit in most fixtures
- EXPANDABLE FLAPS - Provides the light where you need it
- HEAT DISSIPATION - Thermal technology extends lifespan
- WATER & DUST RESISTANT - Ideal for outdoor fixtures
- ENCLOSED FIXTURE RATED - May be used in enclosed and open fixtures
- ENERGY SAVINGS - Uses 76% less energy than traditional lamps
- SURGE PROTECTION - Includes 4kV surge protection
- MERCURY FREE - Environmentally friendly vs fluorescent technologies
- 350°; ROTATABLE BASE - Direct light where needed

Ordering Matrix

Family	Lamp Power	Orientation	Base Type	CRI	Color Temp	Installation Type	Lamp Type
HID	80	H	EX39	8	50	BYP	SB
	80 = 320W 110 = 400W	H = Horizontal	EX39 = EX39	8 = 80 CRI	30 = 3000K 40 = 4000K 50 = 5000K	BYP = Bypass	SB = Shoebox