

COMMERCIAL BARBECUE LIGHT BQ-CD03 COMMERCIAL SERIES

TYPE

SPECIFICATIONS

CONSTRUCTION: 316 stainless steel housing
ARM: 24" tall 316 stainless steel ridged stem and 335° x 90° rotating swivel
MOUNT: Stainless steel deck mount canopy
FINISH: Stainless Steel – Brushed
LENS: High impact clear tempered flat glass
O-RING: High temperature red silicone, 70 durometer
SWITCH: On/Off push button with weatherproof rubber boot cover

12v ELECTRICAL SPECIFICATIONS:

LED SUPPLIED: 7w MR16 GU5.3 Super Saver (L-48)
 40,000 hours average rating
SOCKET: High temperature ceramic GU5.3 bi-pin,
 250°C silicone insulated lead wires
WIRING: Black 10 foot 18/2 zip cord from base of fixture (12v only)
 For 25 foot 16/2 wire add-25F to catalog number

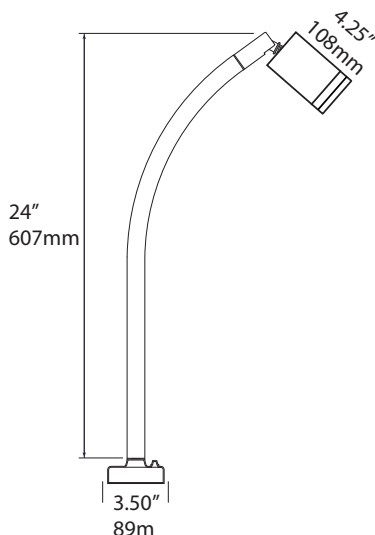
120v ELECTRICAL SPECIFICATIONS:

LED SUPPLIED: 7w ARROW PAR16 (L-134)
 40,000 hours average rating
SOCKET: High temperature ceramic Base (E26/27) medium base,
 250°C silicone insulated lead wires
WIRING: Standard Three Wire 16" lead wires from base of fixture



ORDERING INFORMATION

CATALOG NO.	DESCRIPTION	LAMP	SHIP WEIGHT
12v BQCD03L48SS	Commercial Deck Mount BQ Light	7w MR16 LED SS	7.0 lbs.
120v BQCD03L134SS	Commercial Deck Mount BQ Light.	7w PAR16 LED SS	7.0 lbs



JOB INFORMATION

Type:	Date:
Job Name:	
Cat. No.:	
Lamp(s):	
Specifier:	
Contractor:	
Notes:	