

# BARBECUE LIGHTS: ANGLED BULLET BQ-FD02 DECK MOUNT SERIES

**TYPE**

## SPECIFICATIONS

**CONSTRUCTION:** 316 stainless steel housing

**ARM:** 12" tall 316 stainless steel rigid stem with a 16" stainless steel flex arm on top and clear weatherproof polyolefin cover over flex arm

**MOUNT:** Stainless steel deck mount canopy

**FINISH:** Stainless Steel – Brushed

**LENS:** High impact clear tempered flat glass

**O-RING:** High temperature red silicone, 70 durometer

**SWITCH:** On/Off push button with weatherproof rubber boot cover

### 12v ELECTRICAL SPECIFICATIONS:

**LED SUPPLIED:** 7w MR16 GU5.3 Super Saver (L-48)

40,000 hours average rating

**SOCKET:** High temperature ceramic GU5.3 bi-pin,

250°C silicone insulated lead wires

**WIRING:** Black 10 foot 18/2 zip cord from base of fixture (12v only)

For 25 foot 16/2 wire add-25F to catalog number

### 120v ELECTRICAL SPECIFICATIONS:

**LED SUPPLIED:** 7w ARROW PAR16 (L-134)

40,000 hours average rating

**SOCKET:** High temperature ceramic Base (E26/27) medium base,

250°C silicone insulated lead wires

**WIRING:** Standard Three Wire 16" lead wires from base of fixture



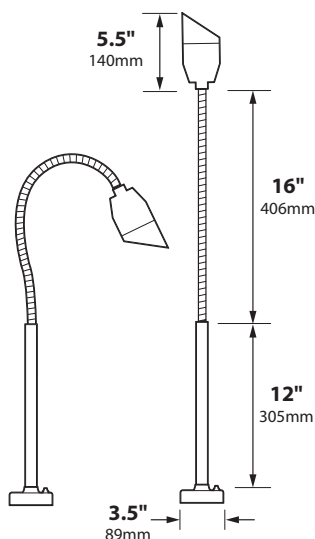
## ORDERING INFORMATION

CATALOG NO.	DESCRIPTION	LAMP	SHIP WEIGHT
<b>12v</b> BQFD02L48SS	Deck Mount BBQ Light	7w MR16 LED SS	4.0 lbs.
<b>120v</b> BQFD02L134SS	Deck Mount BBQ Light	7w PAR16 LED SS	4.0 lbs.

## ACCESSORIES

### FA-BQCOVER

Vinyl Protective Cover For Flex-Arm  
BQ Lights w/ Drawstring Closure



BQ-FD02 Cut Sheet 080318



### JOB INFORMATION

Type:	Date:
Job Name:	
Cat. No.:	
Lamp(s):	
Specifier:	
Contractor:	
Notes:	