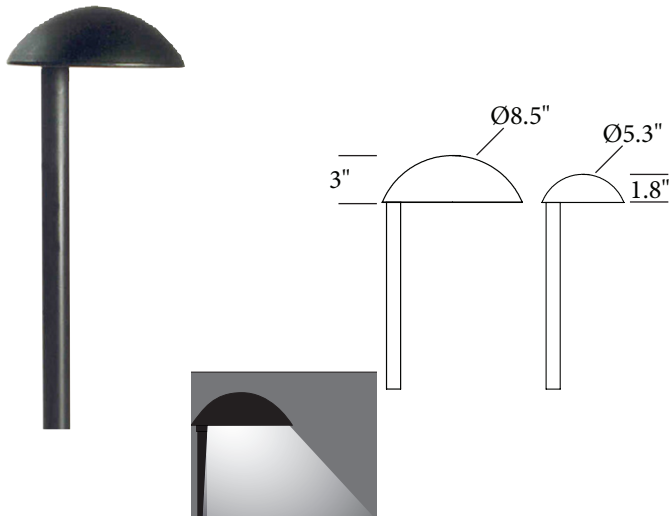


TL SERIES

Aluminum Path Lights



DESIGN

The TLMP and TLLMP Path Lights feature the elegant look of a mushroom top. The wide selection of finishes available allows this fixture to subtly blend into any landscape or lawn design. The offset top allows for controlled lighting to specific pathways or areas.

ORDERING INFORMATION

Description	Part Number
20W, 12V, 12" STEM, 6" TOP	TLMPL - (A)
20W, 12V, 18" STEM, 6" TOP	TLMPL18 - (A)
20W, 12V, 12" STEM, 6" TOP, BRASS	TLMPL-BR - (A)
20W, 12V, 18" STEM, 6" TOP, BRASS	TLMPL18-BR - (A)
20W, 12V, 18" STEM, 9" TOP	TLLMPL-LV - (A)
20W, 12V, 18" STEM, 9" TOP BRASS	TLLMPL-LV-BR - (A)
Line Voltage Model Available	
20W, 120V, 18" STEM, 9" TOP, NO LAMP	TLLMPL - (A)

Option Codes

(A) Finish
BK - Black
BZ - Bronze
GR - OD Green
WH - White
VRD - Verde
SP - Special

*JC20 Lamps included for low voltage model. Line voltage model does not include lamp.

TECHNICAL INFORMATION

Constructed of die cast aluminum, it comes standard with a 12" or 18" tall, 1/2" NPT stem, 20W 12V lamp, and mounting stake. Available with either a 6" or 9" diameter offset mushroom top. Provided with a 3' long 18 ga. whip and low voltage connector. The fixture is finished with a durable polyester powdercoat paint.