

TRANSFORMERS MST SERIES

TYPE

MATERIAL/FEATURES

- UL1838 and UL1598 Listed, the standard for low voltage landscape lighting systems
- 200,300,600 watt output models available
- 316 Stainless Steel enclosure (Lifetime Warranty)
- Removable hinged door is lockable and weather sealed
- Above grade, NEMA 3R rated, rain tight enclosure
- LED indicators for instant recognition of 120 volt and 12 volt power
- Photocell Ready with quick connector
- Supplied with conduit knockouts and accessory knockouts
- Bottom panel swings down for easy access wiring
- Mounting plate and hardware supplied for easy installation

FINISH

- Brushed Stainless Steel; optional polyester powder coat options available

ELECTRICAL

- Long life, high temperature (130°C) Class B rated transformer core
- Copper Shielded Isolation/Insulation type - no contact between 120 volt & 12 volt windings.
- 1500v isolation between all windings and ground
- Grade M19 electrical grade steel for superior electrical and magnetic properties
- Strip copper secondary windings for lower temperature rise.
- Single phase, open core and coil
- E.L. laminated windings (linear output) vacuum impregnated with black slate flour
- Filled varnish for superior heat dissipation and noise reduction. Class 180°C
- 120 volt primary, 12.5 volt secondary 50/60 hertz/cycle (standard)
- 6 foot 18/3 SJT-WA weatherproof grounded power cord with flat angle plug
- On/Off rocker switch
- Manually Resettable magnetic circuit breaker for overload and short circuit protection

OPTIONS

- MV Multi-Voltage 12.5v, 13.5v, 14.5v output (300w & 600w only)
- TR Timer Ready for plug in timers supplied by others
- T Mechanical Timer
- DT Digital Timer
- AT Astronomical Timer
- PC Photocell
- RPC Remote Photocell
- D Full phase/range dimmer
- R 24VAC Relay

WARRANTY

- Limited lifetime warranty on enclosure
- 10 year warranty on mechanical/electrical components
- 3 year warranty on all timers



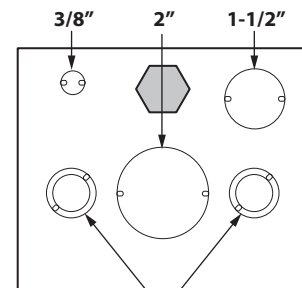
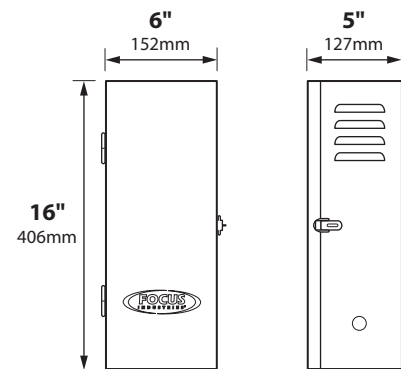
MST-12-300-MV



Intertek
UL 1838
UL 1598



NEMA 3R



2X 3/4" & 1"
Double Knockout"

BOTTOM PANEL KNOCKOUTS

ORDERING INFORMATION

CATALOG NO.	DESCRIPTION	OUTPUT
MST-12-200	Stainless Steel 200 Watt Transformer	12.5v
MST-12-300	Stainless Steel 300 Watt Transformer	12.5v
MST-212-600	Stainless Steel 600 Watt Transformer	12.5v
MST-12-300-MV	Stainless Steel 300 Watt Multi-Voltage Transformer	12.5v, 13.5v, 14.5v
MST-212-600-MV	Stainless Steel 600 Watt Multi-Voltage Transformer	12.5v, 13.5v, 14.5v

NOTE: 220v, 240v and 277v available 12.5v output in 300w increment only Not MV output
FOR 220v, 240v and 277v no dimmer option

JOB INFORMATION

Type:	Date:
Job Name:	
Cat. No.:	
Lamp(s):	
Specifier:	
Contractor:	
Notes:	

Black Gloss	Antique Verde	Black Texture	Bronze Texture	Camel	Chrome Powder	Hunter Texture	Rust	Weathered Iron	Weathered Brown	White Texture	Rubbed Verde	Stucco	Terra Cotta
-BLK	-ATV	-BLT	-BRT	-CAM	-CPR	-HTX	-RST	-WIR	-WBR	-WTX	-RBV	-STU	-TRC