

# VXJ1



Die cast aluminum wiring box with weatherproof gasket, ground screw, and two sturdy lugs for wall or ceiling mounting.

Color: Natural

Weight: 0.8 lbs

Project:

Type:

Prepared By:

Date:

## Technical Specifications

### Listings

#### UL Listing:

Suitable for wet locations

#### Other

#### Box Material:

Precision die cast aluminum

#### Buy American Act Compliance:

RAB values USA manufacturing! Upon request, RAB may be able to manufacture this product to be compliant with the Buy American Act (BAA). Please contact customer service to request a quote for the product to be made BAA compliant.

### Construction

#### Gasket:

1/8" thick closed cell EPDM Foam for long lasting seal that won't crumple or break

#### Screws:

10-24 Stainless steel Round Head Phillips/slotted

#### Ground Screw:

# 10-24 Green corrosion protected steel slotted washer head screw provided in pre-tapped hole

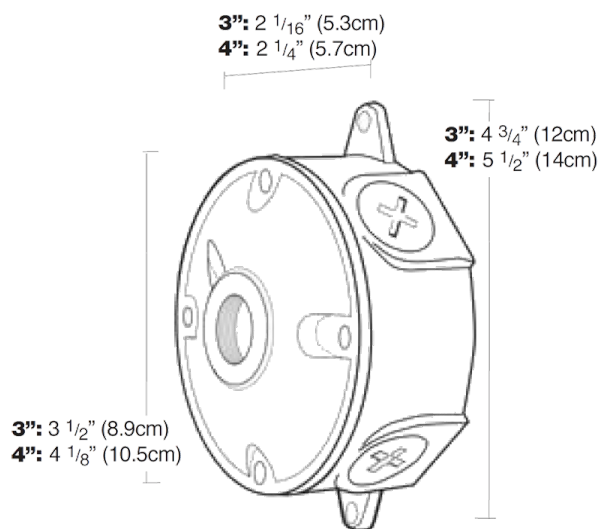
#### Box Diameter:

4"

#### Side Hole Thread Size:

1/2"

## Dimensions



## Features

Stainless steel screws

Green hex slotted washer head ground screw in pre-tapped hole

Heavy die cast aluminum

Close-up plugs allow Phillips or slotted screwdrivers for easy installation

1/8" thick weatherseal gasket is closed cell foam rubber for long lasting seal that won't crumple or break