

# COMMERCIAL BARBECUE LIGHT BQ-CD01 COMMERCIAL SERIES

TYPE

## SPECIFICATIONS

**CONSTRUCTION:** 316 stainless steel housing  
**ARM:** 24" tall 316 stainless steel ridged stem and 335° x 90° rotating swivel  
**MOUNT:** Stainless steel deck mount canopy  
**FINISH:** Stainless Steel – Brushed  
**LENS:** High impact clear tempered flat glass  
**O-RING:** High temperature red silicone, 70 durometer  
**SWITCH:** On/Off push button with weatherproof rubber boot cover

### 12v ELECTRICAL SPECIFICATIONS:

**LED SUPPLIED:** 7w MR16 GU5.3 Super Saver Flat Lens (L-48)  
 40,000 hours average rating  
**SOCKET:** High temperature ceramic GU5.3 bi-pin,  
 250°C silicone insulated lead wires  
**WIRING:** Black 10 foot 18/2 zip cord from base of fixture (12v only)  
 For 25 foot 16/2 wire add-25F to catalog number

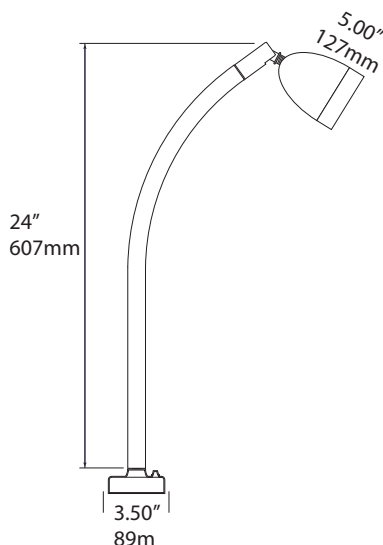
### 120v ELECTRICAL SPECIFICATIONS:

**LED SUPPLIED:** 7w ARROW PAR16 Flat Lens (L-134)  
 40,000 hours average rating  
**SOCKET:** High temperature ceramic Base (E26/27) medium base,  
 250°C silicone insulated lead wires  
**WIRING:** Standard Three Wire 16" lead wires from base of fixture



## ORDERING INFORMATION

CATALOG NO.	DESCRIPTION	LAMP	SHIP WEIGHT
<b>12v</b> BQ-CD01-L48SS	Commercial Deck Mount BQ Light	7w MR16 LED SS	7.0 lbs.
<b>120v</b> BQ-CD01-L134SS	Commercial Deck Mount BQ Light.	7w PAR16 LED SS	7.0 lbs



JOB INFORMATION	
Type:	Date:
Job Name:	
Cat. No.:	
Lamp(s):	
Specifier:	
Contractor:	
Notes:	