

STEP LIGHTS SL-24 SERIES



TYPE

SPECIFICATIONS

CONSTRUCTION:

FACE PLATE: Cast aluminum or brass eyebrow style

BACK BOX: Heavy duty stamped galvanized steel powder coated high reflective white

LENS: High impact white acrylic

SL-24-MR16: High impact linear spread glass

GASKET: Black neospunge closed cell; .190" thickness

LAMP SUPPLIED: 18w S8 #1141; 1200 hours average rating (25w max.)

SL-24-MR16: 20w MR16 FL(BAB) 5000 hours average rating (75w max)

LAMP OPTIONS: We recommend 10,000 hours average rating Xenon (-X) or Halogen (-H) or 3w 50,000 hours average rating OMNI-3 LED (-LED3)

SL-24-MR16: We recommend ARROW 4w LED (-LED) or 6w LED (-LED6W); 50,000 hour or ARROW SAVER 4w LED (-LAS); 40,000 hour

SOCKET: Single contact bayonet, brass nickel plated lamp socket screw shell (Ba15s) with 200°C silicone lead wires

SL-24-MR16: High temperature ceramic GU5.3 bi-pin with 250°C silicone lead wires

WIRING: Black 3 foot 18/2 zip cord (12v only)

For 25 foot 16/2 fixture lead wire add -25F to catalog number.

CONNECTION: FA-05 Quick Connector (not supplied) from fixture to main cable (12/2, 10/2 or 8/2 only)

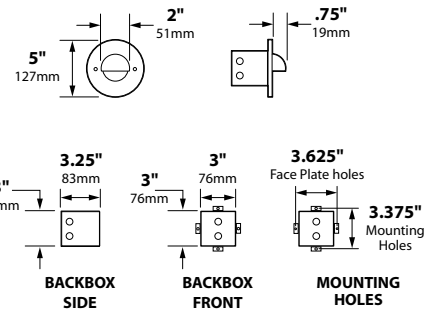
FINISH: Aluminum - Black texture polyester powder coat. Optional finishes available
Brass - Unfinished. Optional finishes available



SL-24-MR16-BRS

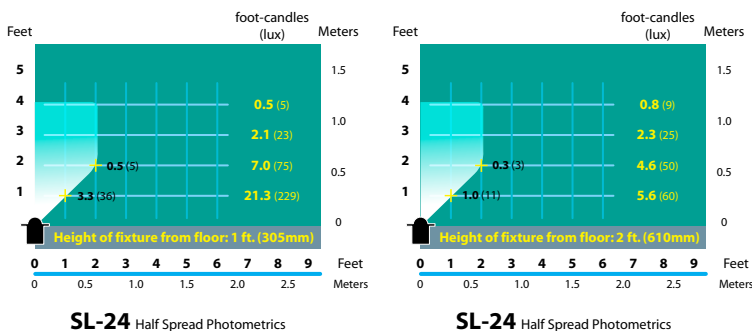
ORDERING INFORMATION

CATALOG NO.	DESCRIPTION	LAMP	SHIP WEIGHT
SL-24-BLT	Aluminum Eyebrow Step Light	18w S8 #1141	2.0 lbs.
SL-24-BRS	Brass Eyebrow Step Light	18w S8 #1141	3.0 lbs.
SL-24-MR16-BLT	Aluminum Eyebrow Step Light	20w MR16 FL(BAB)	2.0 lbs.
SL-24-MR16-BRS	Brass Eyebrow Step Light	20w MR16 FL(BAB)	3.0 lbs.



SL-24: Mounting Holes on all models 3.375" on center

LIGHT DISTRIBUTIONS AND PHOTOMETRICS



JOB INFORMATION	
Type:	Date:
Job Name:	
Cat. No.:	
Lamp(s):	
Specifier:	
Contractor:	
Notes:	

Black Texture (Standard)	Antique Verde	Bronze Texture	Camel	White Texture	Hunter Texture	Rust	Weathered Iron	Weathered Brown	Stucco	Rubbed Verde	Chrome Powder	Acid Rust	Acid Verde	Black Acid Treatment
-BLT	-ATV	-BRT	-CAM	-WTX	-HTX	-RST	-WIR	-WBR	-STU	-RBV	-CPR	-BAR/CAR	-BAV/CAV	-BAT