

MOUNTING ACCESSORIES

FA-01 TELESCOPIC STAKE

TYPE

SPECIFICATIONS

POST: Angle cut Black PVC tube with adjustable Black PVC riser

POST CAP: Cast aluminum or brass threaded 1/2"NPS

CAP FINISH: Aluminum - Black texture polyester powder coat; optional finishes available
Brass - Unfinished. Optional Brass Acid Rust (-BAR) and Brass Acid Verde (-BAV) available

POST FINISH: Black

12" TELESCOPIC STAKE FA-01:

15" PVC stake & adjustable 12" riser; cast aluminum or brass cap with female 1/2"NPS

24" TELESCOPIC STAKE FA-01-2F:

25" PVC stake & adjustable 24" riser; cast aluminum or brass cap with female 1/2"NPS



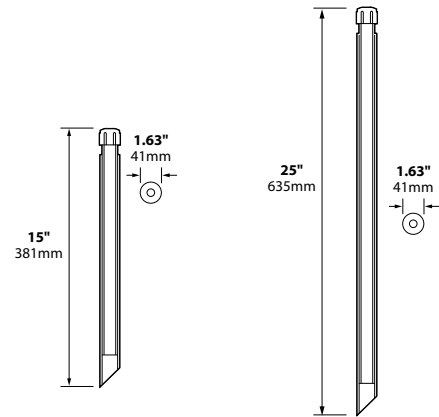
FA-01-BRS



FA-01-2F-BRS

ORDERING INFORMATION

CATALOG NO.	DESCRIPTION	SHIP WEIGHT
FA-01-BLT	12" Telescopic Stake, Aluminum Cap	1.0 lbs.
FA-01-BRS	12" Telescopic Stake, Brass Cap	2.0 lbs.
FA-01-2F-BLT	24" Telescopic Stake, Aluminum Cap	1.0 lbs.
FA-01-2F-BRS	24" Telescopic Stake, Brass Cap	2.0 lbs.



JOB INFORMATION

Type:	Date:
Job Name:	
Cat. No.:	
Lamp(s):	
Specifier:	
Contractor:	
Notes:	

Black Texture (Standard)	Antique Verde	Bronze Texture	Camel	White Texture	Hunter Texture	Rust	Weathered Iron	Weathered Brown	Stucco	Rubbed Verde	Chrome Powder	Acid Rust	Acid Verde	Black Acid Treatment
-BLT	-ATV	-BRT	-CAM	-WTX	-HTX	-RST	-WIR	-WBR	-STU	-RBV	-CPR	-BAR/CAR	-BAV/CAV	-BAT