

INSTALLATION FOR WALLS, WOOD DECKS AND STEPS:

NOTE: To prevent electrical shock, disconnect transformer from electrical supply before installation or service.

- Using back box as a template, mark the location of the fixture on the wall or vertical surface.
- Cut a hole in wall or vertical surface to insert back box.
- Insert back box into hole and secure using two wood screws provided or plastic wall anchors for brick, block, stone or concrete applications.
- 3a. Remove light bulb and reflector.
- Bring 18/2 black wire into back box through one of eight 1/2" KO's on back box.
- Using the two (2) blue wirenut connectors (provided), connect the wire leads from behind the reflector to the 18-2 3' black lead wire (provided) exiting the SL-04/SL-24 Step Light.
- Install reflector and lamp. Push the reflector as far back into the back box as possible.

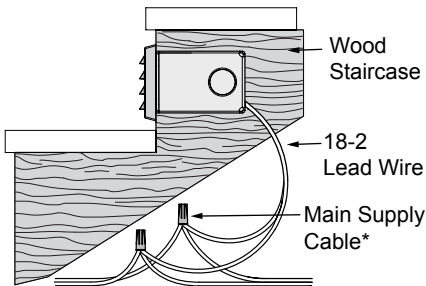
IMPORTANT: If lens is used, light bulbs must be as far away from lens as possible to prevent lens from deforming or melting.

- Install cover plate and tighten supplied screws with Phillips #2 screwdriver.
- Connect 18/2 black fixture wire to main 12/2, 10/2, 8/2 using approved gel filled direct burial wire nuts.
- Turn on 12v power and check for light output.

LAMP INSTALLATION/REPLACEMENT

- Turn off power.
- Loosen cover screws with Phillips #2 screwdriver and remove cover.
- Replace lamp with correct type and wattage marked on fixture label.
- Reinstall cover and tighten screws with Phillips #2 screwdriver.

CAUTION: Do not exceed maximum wattage marked on fixture label.



SL-04, SL-04-AL, SL-04-3L Back Box

INSTALLATION FOR NEW MASONRY CONCRETE OR STUCCO WALLS:

Note: For concrete pour (wet) applications a conduit connection is required. We recommend a UL listed flexible conduit (supplied by others) for easier positioning and adjustment during installation.

- Remove reflector and lamp from back box. Remove 1/2" knockout from the side, bottom or back of the back box.
- Using standard masonry procedures as dictated by local code, build wood support frame and secure back box to support frame using two wood screws provided.
- Connect conduit to back box using approved connector and lock nut. Pull 12V supply wire through and into back box. Use correct wire nuts(not provided) for main to fixture connection.
- Cover opening of back box with cardboard or other material and seal any open knockouts before concrete pour.
- Pour concrete according to standard masonry procedures and local codes.
- Using the two (2) blue wirenut connectors (provided), connect the wire leads from behind the reflector to the 18-2 3' black lead wire (provided) exiting the SL-04/SL-24 Step Light.
- Install reflector and lamp. Push the reflector as far back into the back box as possible.

IMPORTANT: If lens is used, light bulbs must be as far away from lens as possible to prevent lens from deforming or melting.

- Turn on 12V power and check for light output.
- Install cover plate and tighten supplied screws with Phillips #2 screwdriver.
- Turn on 12v power and check for light output.

IMPORTANT SAFETY INSTRUCTIONS TO REDUCE THE RISK OF FIRE AND INJURY TO PERSONS:

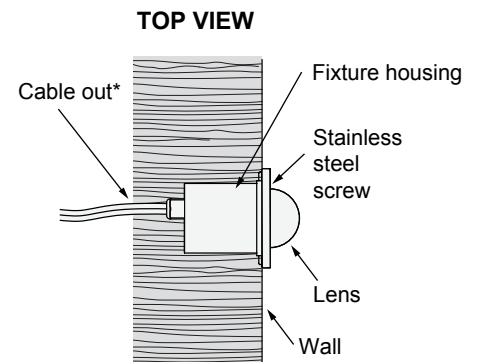
- Lamp gets hot quickly; turn off, unplug/disconnect and allow to cool down before replacing the light bulb.
- DO NOT** touch hot lens, use guard or enclosure.
- DO NOT** look into lamp when on.
- Keep lamp away from materials that may burn.
- Use only with wattage/lamp marked on fixture warning and instructions.
- Use the correct light bulb base with the correct socket.
- DO NOT** touch lamp at anytime. Use a lint-free cloth when handling the Halogen light bulbs as oil from skin may damage lamp and shorten lamp life.
- DO NOT** operate fixture with missing or damaged shield or lens.



SL-24 Back Box



SL-24



* 18/2 Black wire, conduit or PVC cable.