

# Canopy



## Product information

The LEDi2 Canopy is designed for commercial utilizing, excellent optical design ensuring outstanding performance. The extruded aluminium lamp and gear housing ensures the durability, elegance and sophisticated appearance.

## Features

- \* Environment friendly, No UV, NO Mercury
- \* Instant start, no noise
- \* Up to 6960lm
- \* Standard type Ra65
- \* 5 years limited warranty

## Electrical and Photometric Characteristics

Nominal voltage:	AC 120-277V
Operating frequency:	50/60Hz
Power factor:	$\geq 0.9$
Working temperature range:	$-40^{\circ}\text{C} \sim +40^{\circ}\text{C}$
Starting time:	$< 1.0\text{S}$
Dimmable:	NO
IP Rating:	IP65
CRI:	$\geq 65$

\* Exceeding maximum ratings for operating temperature and input voltage will reduce expected life time or destroy the product.  
All data subject to change without notice. Errors and omission excepted.  
Always make sure to use the most recent release.



## Certifications issued by



VER#:V1.4  
17-07-10

# Specifications

Item Number	Rated Wattage*	LxWxH (inch)	CCT (Kelvin)*	Rate Flux (Lm) *	CRI (Ra)*	Pack Qty (Pcs)	Finishing Color	Dimmable
<b>Canopy</b>								
I2-SY-CAN36W50K-B	36W	9.56x9.56x3.44	5000K	3960	>65	6	Black	No
I2-SY-CAN60W50K-B	60W	9.56x9.56x3.44	5000K	6900	>65	6	Black	No

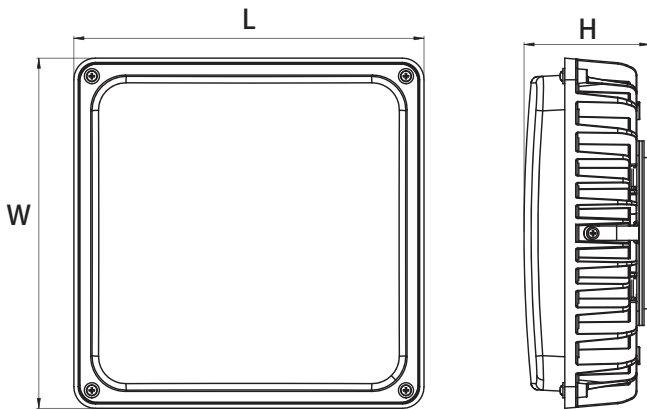
CCT include:4000K,4500K,5000K,5700K

Light output of product may vary with CCT, for technical information of other CCTs, please contact our representative.

\* All data are related to the entire product

\*Due to the special condons of the manufacturing processes of LED,the typical data of technical parameters can only reflect statistical figures and do not necessarily correspond to the actual parameters of each single product which could didder from the typical value.

## Dimension Diagram



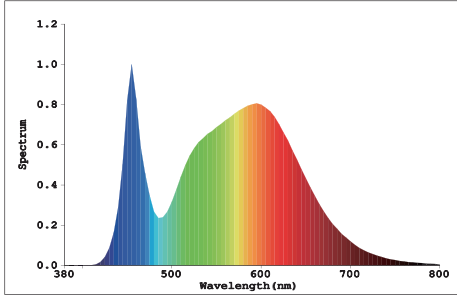
Item Number	L (inch)	W (inch)	H (inch)	Net Weight (Kg)
I2-SY-CAN36W50K-B	9.56	9.56	3.44	2.35
I2-SY-CAN60W50K-B	9.56	9.56	3.44	2.35

## Operation and Maintenance Tips

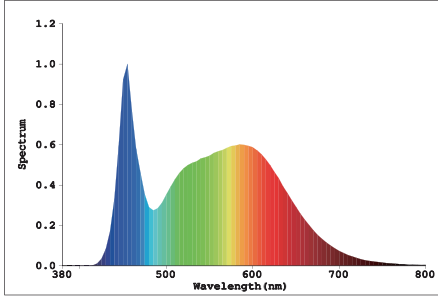
- \*Turn power off before inspection, installation or removal.
- \*For outdoor use only.
- \*All install and uninstall shall be done by a certified electrician.
- \*Do not operate luminaire with damaged parts.
- \* Properly ground the electrical enclosure.
- \* Luminaire may fall down if not locked into mounting track properly.

# Spectrum Distribution

Cool white - 4000K



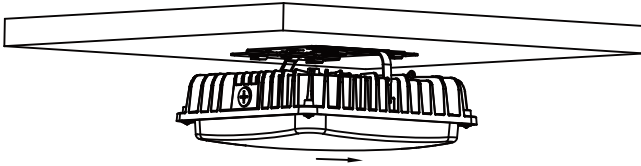
Daylight - 5000K



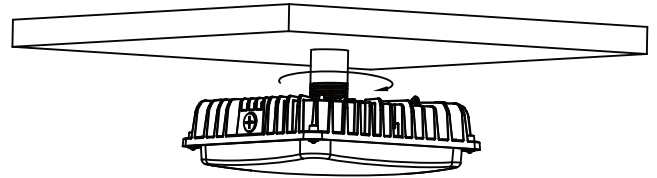
Photometric and Lumen Maintenance tests conducted as defined by IES LM-79-08 and IES LM-80-08 Approved Methods.

# Installation Styles

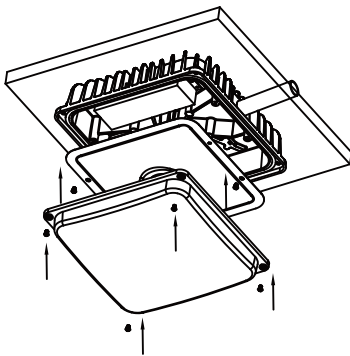
Surface Mounted with J-box



Pendent with 3/4 inch Conduit



Surface Mounted



# Packaging Information

Product	Qty/Carton (Pcs)	Size of Carton LxWxH (mm)	Net Weight (Kg)	Gross Weight (Kg)	Pcs in a 20' GP(Pcs)	Pcs in a 40' HQ(Pcs)
SYHU-CP036xxx-B	6	600x305x400	14.4	15.2	2106	4374
SYHU-CP060xxx-B	6	600x305x400	14.4	15.2	2106	4374

\* Note: the above quantity full a container based on lamp pack inner carton+outer carton and without pallets.