

Catalog Number

Project

Type

## FEATURES & SPECIFICATIONS

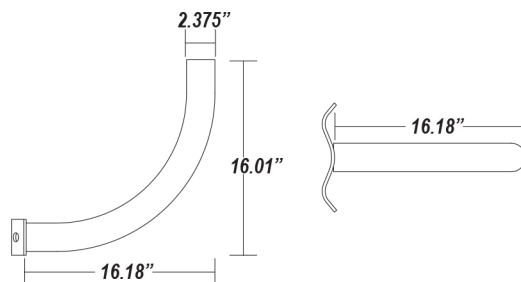
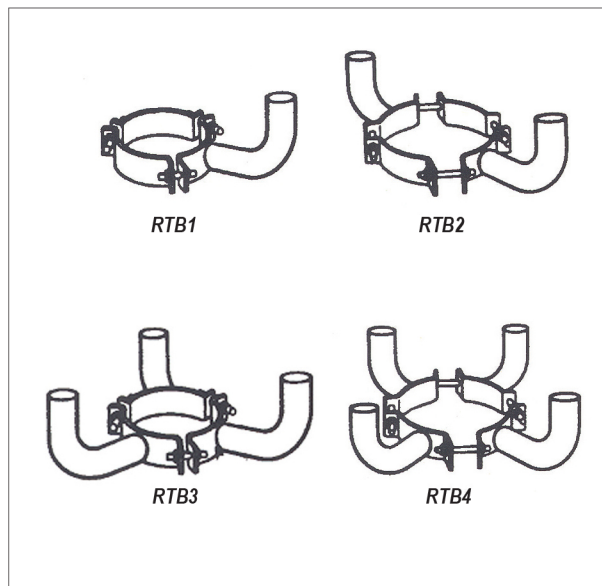
**APPLICATION** — The RTB Series Wood Pole Brackets are designed for use with 8-12" wooden poles to provide one or more 2-3/8" OD tenons for mounting light fixtures that utilize an adjustable slip fitter.

**CONSTRUCTION** — The heavy duty wood pole bracket is constructed of rolled steel. Stainless steel hardware provided.

**FINISH** — A Super Durable Polyester powder coat finish is electrostatically applied in our state of the art paint facility. Standard colors available: Black, Bronze, US Green, White. Custom colors available upon request.



## Wood Pole Bracket RTB



Series	Height	Length & Width
<b>RTB</b>	16.01"	16.18" x Ø2.375"

## ORDERING INFORMATION

Choose the bold face options for the appropriate luminaire configuration for your application and enter on the line above each fixture attribute. Accessories may be factory installed, depending on the particular accessory chosen, but still be ordered as a separate line item.

Example: **RTB2-BZ**

RTB		
Series	Options	Finish
<b>RTB</b>	<b>1</b> Single Tenon Bracket <b>2</b> Dual Tenon Bracket <b>3</b> Triple Tenon Bracket <b>4</b> Quad Tenon Bracket	<b>BK</b> Black <b>BZ</b> Bronze <b>GR</b> US Green <b>WH</b> White <b>SP</b> Special <sup>2</sup>