

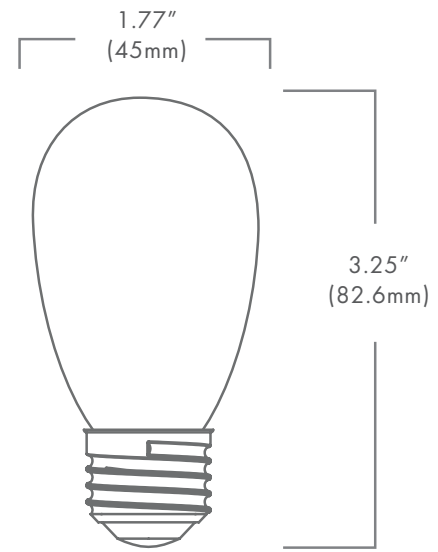
S-14 EDGE FILAMENT

DESCRIPTION:

The S14 Edge Filament is designed for use in both outdoor and indoor open fixtures where precision lighting and high color rendering is required. This lamp is ideal for inverted bistro style lighting.

FEATURES:

- UL listed
- Clear, omni-directional light source
- Elegant, exposed filament design
- Dimmable
- UL & FCC compliant



PART NUMBER: S14 FIL EDGE 2700



Wattage	3.5
Lumens	245
Kelvin Temperature	2200, 2700
Operating Range	12VAC, 110-130 VAC
CRI	95
IP	64
Lamp Life (hours)	30,000
Warranty (years)	3