

DIRECT BURIAL JUNCTION BOXES DBS & DBR SERIES

TYPE



NON-METALLIC JUNCTION BOXES

THIS RUGGED BOX OFFERS ALL THE CORROSION RESISTANCE AND PHYSICAL PROPERTIES YOU NEED FOR IN GROUND JUNCTION BOX APPLICATIONS

SPECIFICATIONS

- Bronze high temperature fiberglass reinforced composite box and cover (heavy duty)
- Nema 6: below grade enclosure for direct burial applications
- 1/2" NPS & 3/4" NPS bottom hubs for line voltage input & feed through. Ships standard with 2x 1/2" NPS holes; one open one plugged
- 1/2" NPS hubs on cover for fixture and or photocell mounting (consult factory for details)
- Neoprene sponge gasket to keep enclosure dry
- Covers secured with #10 3/4" Flathead Stainless Steel Phillips Screws
- Beveled Top to allow for drainage

WARRANTY

- 3 year warranty

INSTALLATION NOTES

- Must be installed away from standing water
- Allow for drainage



DBS-12-8JB



DBS-97-JB



DBS-66-JB



DBR-79-JB

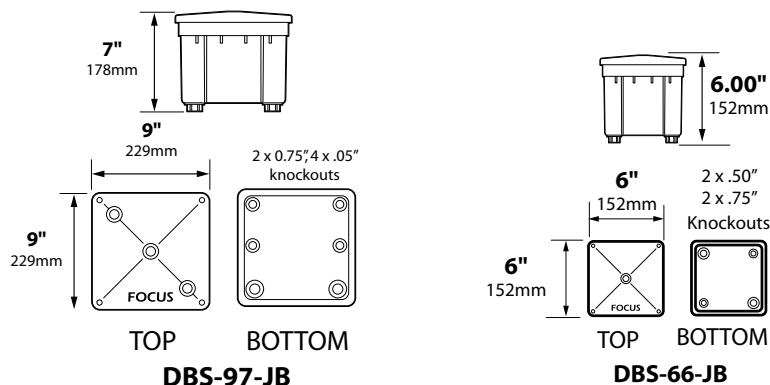
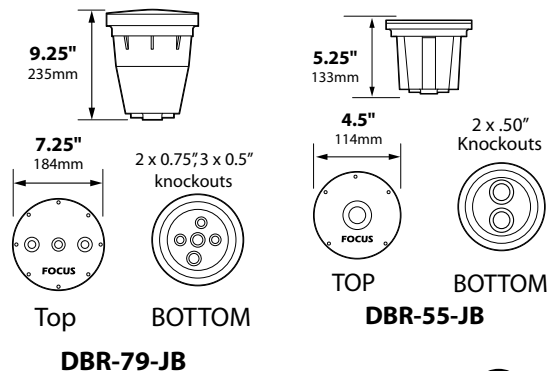
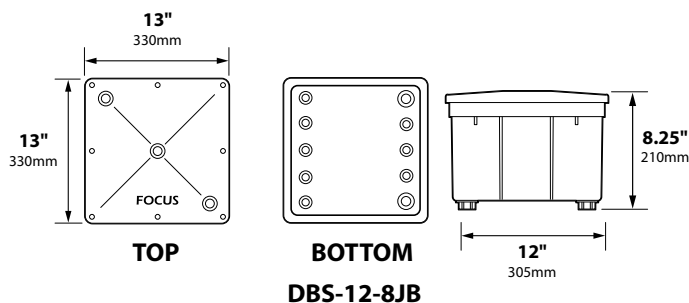


DBR-55-JB



ORDERING INFORMATION

CATALOG NO.	DESCRIPTION	SHIP WEIGHT
DBS-12-8JB	Direct Burial Junction Box, 12 x 12 x 8	3 lbs.
DBS-97-JB	Direct Burial Junction Box, 9 x 9 x 7	3 lbs.
DBS-66-JB	Direct Burial Junction Box, 6 x 6 x 6	2 lbs.
DBR-79-JB	Direct Burial Round Junction Box, 7 x 9	2 lbs.
DBR-55-JB	Direct Burial Round Junction Box, 4.5 x 5	2 lbs.



JOB INFORMATION	
Type:	Date:
Job Name:	
Cat. No.:	
Lamp(s):	
Specifier:	
Contractor:	
Notes:	