

FLAT PANEL LED FL-LEDP-4W35001

TYPE



12v/120v/240v/277v

4w Flat Panel LED

- Long Life - 50,000 Hours L7 Average Rating (rated life to 70% initial light output)
- High Power White LED Light Source
- 350 Lumens / 380 Lumens at 5200K
- CRI 85 (Color Rendering Index)
- 3000K Warm White Color or 5200K Cool White
- Cool Beam, No UV or IR
- Non-Dimmable
- LM80 Compliant LEDs
- 5 Year Limited Warranty
- RoHS Compliant - Energy Efficient - Environmentally Friendly
- Must be installed in sealed fixture outdoors
- External driver required (see below)
- 12v driver must be powered by a magnetic transformer
- 8" 18AWG lead wires, Red (positive), Black (negative)



ORDERING INFORMATION

CATALOG NO.	WATTAGE	VOLTAGE	CURRENT	LUMEN OUTPUT	COLOR TEMP
FL-LEDP-4W35001	4w	12v	350mA	350	3000K
FL-LEDP-4W5235001	4w	12v	350mA	380	5200K

ORDERING INFORMATION - EXTERNAL DRIVERS

CATALOG NO.	INPUT VOLTAGE	WATTAGE	VOLTAGE RANGE	APPLICATION
HW-12-435012LED	12v AC	4w	9v AC - 18v AC	Rated for direct burial, IP68
HW-12-6350120LED	120v	6w	120v	Rated for damp location
HW-12-6350240LED	240v	6w	240v	Rated for damp location
HW-12-6350277LED	277v	6w	277v	Rated for damp location

120v/240v/277v

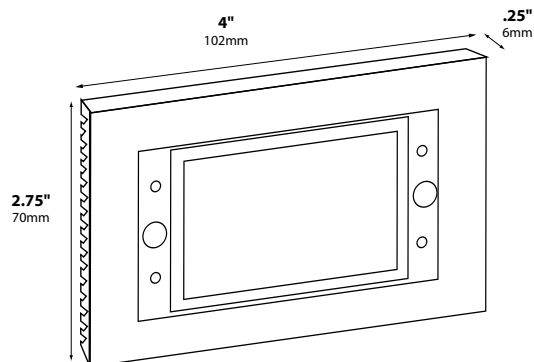


1.75"(w) x 1.75"(h) x 1"(d)

12v



2" x Ø.75"



FLAT PANEL LED FL-LEDP-5W35001

TYPE



12v/120v/240v/277v

5w Flat Panel LED

- Long Life - 50,000 Hours L7 Average Rating (rated life to 70% initial light output)
- High Power White LED Light Source
- 350 Lumens / 380 Lumens at 5200K
- CRI 85 (Color Rendering Index)
- 3000K Warm White Color or 5200K Cool White
- Cool Beam, No UV or IR
- Non-Dimmable
- LM80 Compliant LEDs
- 5 Year Limited Warranty
- RoHS Compliant - Energy Efficient - Environmentally Friendly
- Must be installed in sealed fixture outdoors
- External driver required (see below)
- 12v driver must be powered by a magnetic transformer
- 8" 18AWG lead wires, Red (positive), Black (negative)



ORDERING INFORMATION

CATALOG NO.	WATTAGE	VOLTAGE	CURRENT	LUMEN OUTPUT	COLOR TEMP
FL-LEDP-5W35001	5w	12v	350mA	350	3000K
FL-LEDP-5W5235001	5w	12v	380mA	380	5200K

ORDERING INFORMATION - EXTERNAL DRIVERS

CATALOG NO.	INPUT VOLTAGE	WATTAGE	VOLTAGE RANGE	APPLICATION
HW-12-435012LED	12v AC	4w	9v AC - 18v AC	Rated for direct burial, IP68
HW-12-6350120LED	120v	6w	120v	Rated for damp location
HW-12-6350240LED	240v	6w	240v	Rated for damp location
HW-12-6350277LED	277v	6w	277v	Rated for damp location

120v/240v/277v

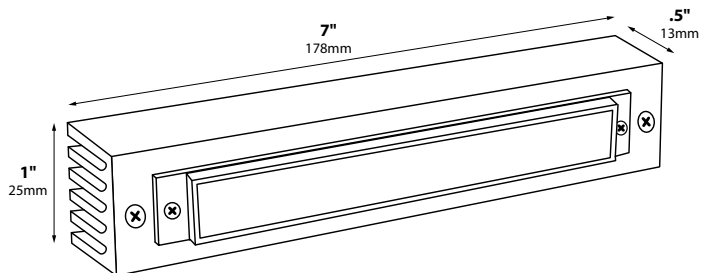


1.75"(w) x 1.75"(h) x 1"(d)

12v



2" x Ø.75"



FLAT PANEL LED FL-LEDP-8W70001

TYPE



12v/120v/277v

8w Flat Panel LED

- Long Life - 50,000 Hours L7 Average Rating (rated life to 70% initial light output)
- High Power White LED Light Source
- 630 Lumens / 680 Lumens at 5200K
- CRI 85 (Color Rendering Index)
- 3000K Warm White Color or 5200K Cool White
- Cool Beam, No UV or IR
- Non-Dimmable
- LM80 Compliant LEDs
- 5 Year Limited Warranty
- RoHS Compliant - Energy Efficient - Environmentally Friendly
- Must be installed in sealed fixture outdoors
- External driver required (see below)
- 12v driver must be powered by a magnetic transformer
- 8" 18AWG, 150C, 600v lead wires, Red (positive), Black (negative)



ORDERING INFORMATION

CATALOG NO.	WATTAGE	VOLTAGE	CURRENT	LUMEN OUTPUT	COLOR TEMP
FL-LEDP-8W70001	8w	12v	700mA	630	3000K
FL-LEDP-8W5270001	8w	12v	700mA	680	5200K

ORDERING INFORMATION - EXTERNAL DRIVERS

CATALOG NO.	INPUT VOLTAGE	WATTAGE	VOLTAGE RANGE	APPLICATION
HW-12-870012LED	12v AC	8w	9v AC - 18v AC	Rated for direct burial, IP68
HW-12-8700LED	120v	8w	120v - 230v	Rated for damp location
HW-12-20700277LED	277v	20w	277v	Rated for damp location



12v
2" x Ø.75"



120v
2.7"(w) x 1.5"(h) x 1"(d)



277v
5.25"(w) x 1.375"(h) x 1"(d)

