

INSTALLATION INSTRUCTIONS FOR 12v SL-36 STAKE LIGHTS

INSPECTED BY:

INSTALLATION FOR GROUND MOUNTING:

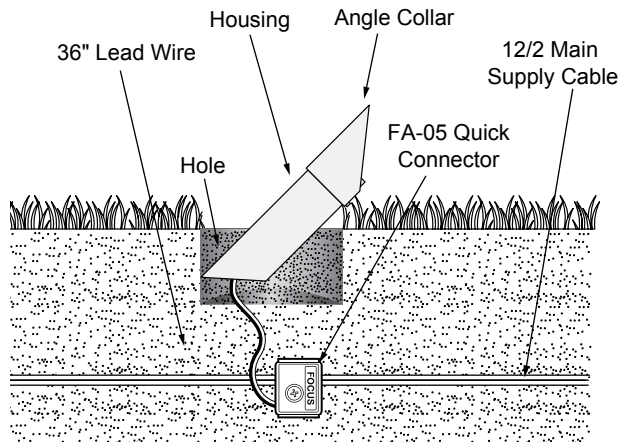
NOTE: To prevent electrical shock, disconnect transformer from electrical supply before installation or service.

1. Dig hole approximately 6" wide and 6" deep.
2. Place fixture into hole at preferred angle and backfill around fixture.
3. Connect to main 12V supply cable. We recommend using our **FA-05 Quick Connector** (sold separately.)
4. Provide 12V power to the fixture and check for proper operation.

LAMP INSTALLATION/REPLACEMENT

1. To prevent electrical shock, disconnect fixture from 12V power supply before servicing.
2. Hold fixture by base and pull lens cap from body.
3. Pull Bi-Pin lamp from socket. Replace with correct type and wattage MR16, MR11 or MR8 Bi-Pin lamp marked on fixture label.
4. Push lens cap back onto body.

CAUTION: Do not exceed maximum wattage marked on fixture label.



IMPORTANT SAFETY INSTRUCTIONS TO REDUCE THE RISK OF FIRE AND INJURY TO PERSONS:

1. Lamp gets hot quickly; turn off, unplug/disconnect and allow to cool down before replacing the light bulb.
2. **DO NOT** touch hot lens, use guard or enclosure.
3. **DO NOT** look into lamp when on.
4. Keep lamp away from materials that may burn.
5. Use only with wattage/lamp marked on fixture warning and instructions.
6. Use the right light bulb base with the right socket.
7. **DO NOT** operate fixture with missing or damaged parts.

INSTALLATION INSTRUCTIONS FOR 12v SL-36 STAKE LIGHTS

INSPECTED BY:

INSTALLATION FOR GROUND MOUNTING:

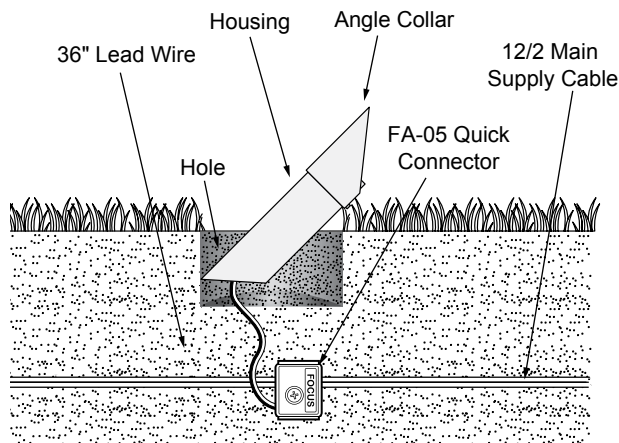
NOTE: To prevent electrical shock, disconnect transformer from electrical supply before installation or service.

1. Dig hole approximately 6" wide and 6" deep.
2. Place fixture into hole at preferred angle and backfill around fixture.
3. Connect to main 12V supply cable. We recommend using our **FA-05 Quick Connector** (sold separately.)
4. Provide 12V power to the fixture and check for proper operation.

LAMP INSTALLATION/REPLACEMENT

1. To prevent electrical shock, disconnect fixture from 12V power supply before servicing.
2. Hold fixture by base and pull lens cap from body.
3. Pull Bi-Pin lamp from socket. Replace with correct type and wattage MR16, MR11 or MR8 Bi-Pin lamp marked on fixture label.
4. Push lens cap back onto body.

CAUTION: Do not exceed maximum wattage marked on fixture label.



IMPORTANT SAFETY INSTRUCTIONS TO REDUCE THE RISK OF FIRE AND INJURY TO PERSONS:

1. Lamp gets hot quickly; turn off, unplug/disconnect and allow to cool down before replacing the light bulb.
2. **DO NOT** touch hot lens, use guard or enclosure.
3. **DO NOT** look into lamp when on.
4. Keep lamp away from materials that may burn.
5. Use only with wattage/lamp marked on fixture warning and instructions.
6. Use the right light bulb base with the right socket.
7. **DO NOT** operate fixture with missing or damaged parts.