

# INSTALLATION INSTRUCTIONS FOR 12v SL-08-LEDP & SL-31-LEDP BRICK LIGHTS

**INSPECTED BY:**

**NOTE: To prevent electrical shock, disconnect transformer from electrical supply before installation or service.**

The optimum operating voltage range for the SL-08-LEDP is 10 - 15 volts AC. The LED operates at the intended lumen output in this range for balanced brightness from first to last fixture. The total voltage range is 9 - 18 volts however lumen output can vary outside of the optimum voltage range of 10 - 15 volts and operating above 15 volts will shorten LED life and void warranty..

### FOR EXISTING WALLS, STEPS AND WOOD DECKS:

**1a.** Using mounting plate or included template, mark center point of thru hole that will be drilled to feed lead wire from fixture through wall or step.

**2a.** Where center point of thru hole for lead wire is marked core drill a 1" hole through surface. Go to Step 3 below.

### FOR NEW MASONRY, CONCRETE OR STUCCO WALLS & STEPS:

**1b.** Determine placement of SL-08-LEDP fixture and using standard masonry procedures install 1" conduit or PVC pipe at location where center point of thru hole on mounting plate will be located. Conduit or pipe to extend all the way through structure so lead wires can exit through the back side of structure.

**2b.** Pour concrete using standard masonry procedures. Go to Step 3 below.

**NOTE:** If you are not sure of fixture location or would rather core drill the hole, simply complete new masonry, concrete or stucco project then go to Step 1a above for existing walls, steps and wood decks.

**3.** Using mounting plate or included template, mark the location of the two mounting holes on mounting plate. Install plastic wall anchors for brick, block, stone or concrete at location of two mounting holes. (This is not required for wood applications.)

There are four alternate mounting holes on back plate should the two recommended mounting hole locations not be located in proper area, such as in a gap between stone or granite.

**4.** Using UL approved gel filled wire nuts, connect two lead wires from LED panel to two lead wires from LED Driver, Red to Red and Black to Black. Feed LED Driver, wire nuts and lead wires through 1" hole until mounting bracket is flush with surface.

**NOTE:** LED Driver is fully potted for direct burial use and does not have to be inside wall. It can be buried behind wall or other location. Max distance from LED Driver to LED panel is 18 feet.

**5.** Secure mounting plate to wall with two mounting screws provided with fixture. (For wood applications use two wood screws.)

**6.** Remove adhesive backing from gasket and install gasket around mounting plate, adhesive side to the surface.

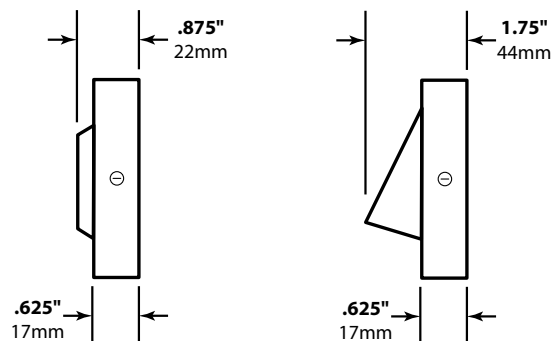
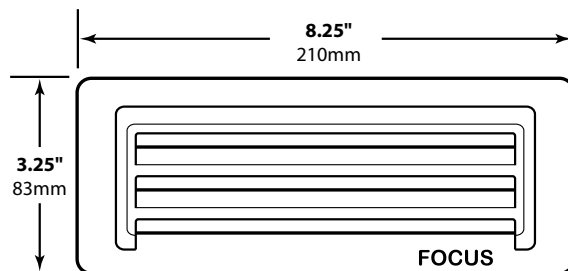
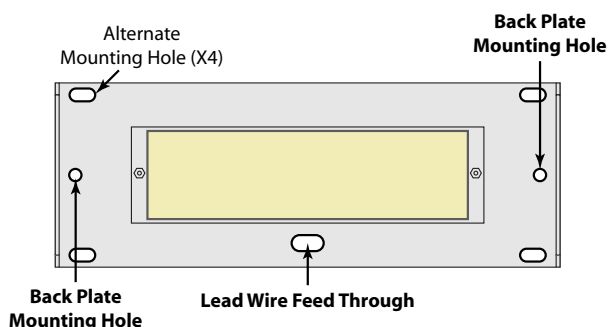
**7.** Install face plate over mounting plate. While applying pressure to face plate to compress the gasket, securely tighten the 2 set screws on either side of face plate using supplied 3/32 size hex key.

**8.** Connect 18/2 black wire from LED Driver to main 14/2, 12/2, 10/2 or 8/2 cable using approved gel filled direct burial wire nuts.

**9.** Provide 12v power to fixture and check for proper operation.

**NO BACK BOX REQUIRED.**  
**Flat Panel LED brick light surface mounts with  
supplied mounting bracket.**

**Consult factory for retro-fit Flat Panel LED that can  
be installed in existing back box type brick lights.**



**SL-08-LEDP**

**SL-31-LEDP**

# SL-08-LEDP & SL-31-LEDP MOUNTING TEMPLATE NEW DESIGN July 2015

Note: Make sure printer is set at 100% Scale  
for template to print at proper size.

