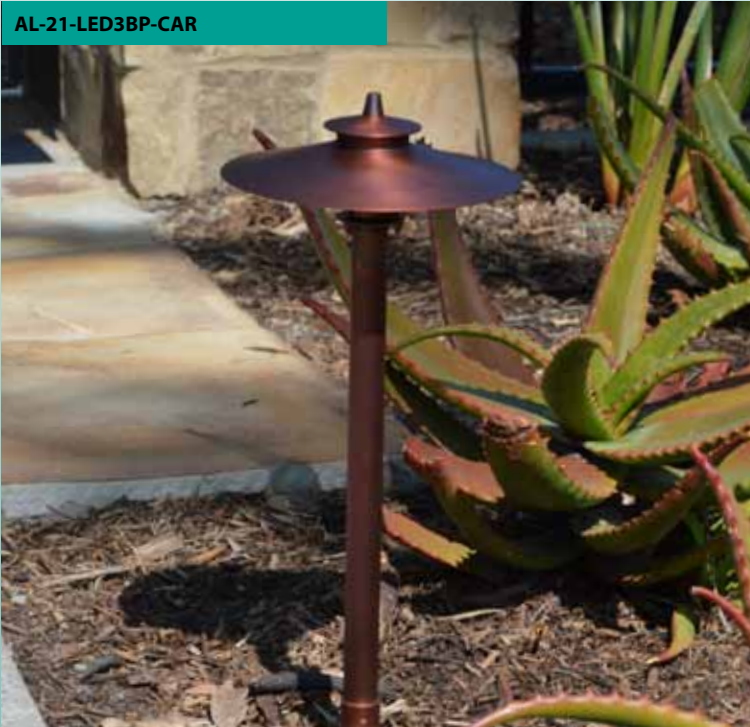
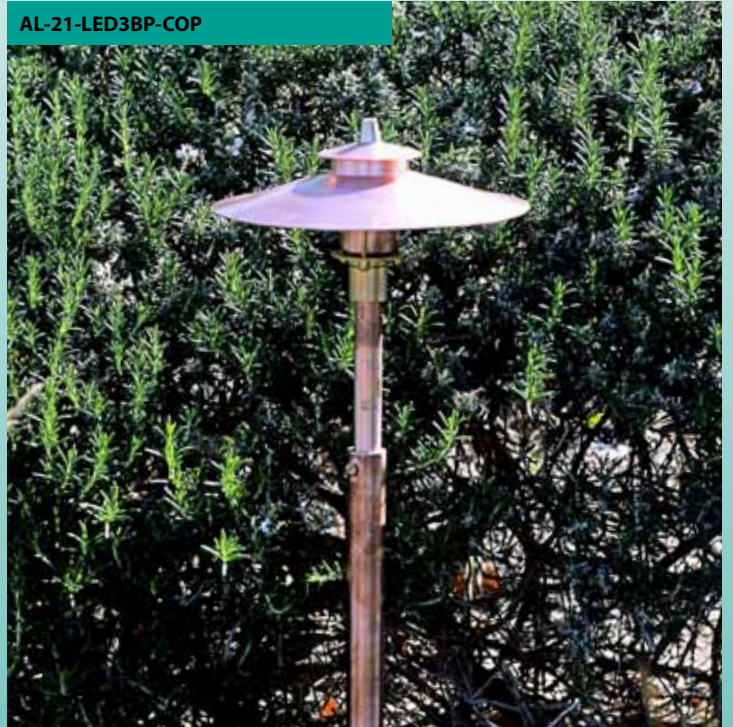


AL-21 Series Area Light

AL-21-LED3BP-CAR



AL-21-LED3BP-COP



AL-21-S4LED3BP-COP



AL-21-S3-LED3BP-COP



AREA LIGHTS AL-21 SERIES

TYPE

SPECIFICATIONS

CONSTRUCTION: Spun copper 7" china hat with matching extruded 12" stanchion and 12" telescopic interior stem for height adjustability up to 26"; with brass accents.

AL-21S4: Copper 4" China hat with matching 12" **fixed** stem

AL-21S3: Copper 3" China hat with matching 12" **fixed** stem

LAMP SUPPLIED: 20w T3 Halogen bi-pin, 10,000 hours average rating (25w max)

LENS: Clear polysilicate glass tube

SOCKET: High temperature ceramic GZ4 bi-pin with 250° C silicone lead wires

WIRING: Black 3 foot 18/2 zip cord from base of fixture (12v only)

For 25 foot 16/2 fixture lead wire add -25F to catalog number.

CONNECTION: FA-05 Quick Connector (not supplied) from fixture to main cable (12/2, 10/2 or 8/2 only)

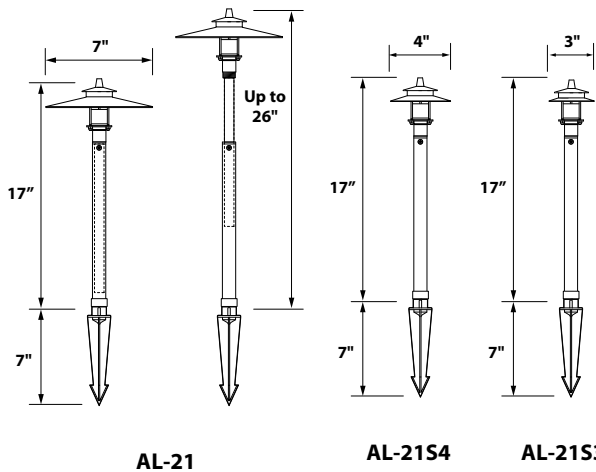
MOUNTING: FA-03-RX Brass 7" stake, tapped 1/2" NPS

FINISH: Unfinished copper. Optional finishes available.



ORDERING INFORMATION

CATALOG NO.	DESCRIPTION	LAMP	SHIP WEIGHT
AL-21-HBPCOP	Copper 7" China Hat with adjustable stem	20w T3 Halogen BP	3.0 lbs.
AL-21S4-HBPCOP	Copper 4" China Hat with fixed Stem	20w T3 Halogen BP	3.0 lbs.
AL-21S3-HBPCOP	Copper 3" China Hat with fixed Stem	20w T3 Halogen BP	3.0 lbs.

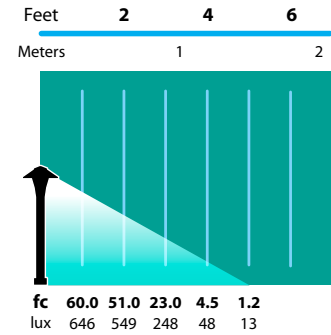
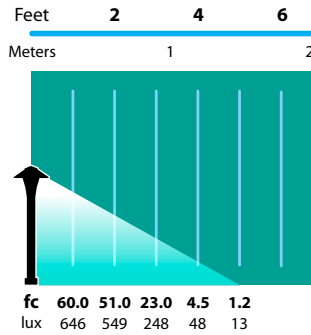
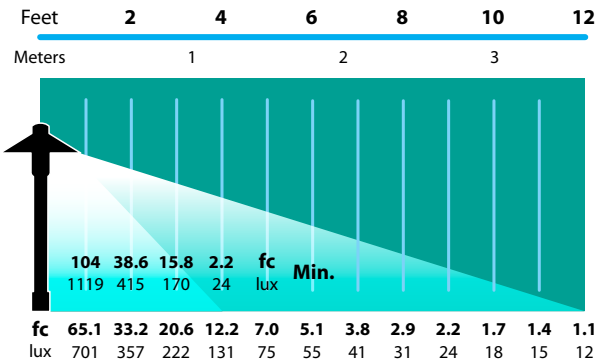


JOB INFORMATION	
Type:	Date:
Job Name:	
Cat. No.:	
Lamp(s):	
Specifier:	
Contractor:	
Notes:	

Black Texture (Standard)	Antique Verde	Bronze Texture	Camel	White Texture	Hunter Texture	Rust	Weathered Iron	Weathered Brown	Stucco	Rubbed Verde	Chrome Powder	Acid Rust	Acid Verde	Black Acid Treatment
-BLT	-ATV	-BRT	-CAM	-WTX	-HTX	-RST	-WIR	-WBR	-STU	-RBV	-CPR	-BAR/CAR	-BAV/CAV	-BAT

AREA LIGHTS AL-21 SERIES

TYPE



MOUNTING ACCESSORIES

