

AREA LIGHTS AL-10-LGP-LEDP SERIES



TYPE

SPECIFICATIONS

CONSTRUCTION: Formed solid brass pedestal mount lantern

LENS: Gold iridescent glass; optional plastic White Cracked Ice available (-ICE)

LIGHT SOURCE: 12v, 4w 300 lumen integrated round LED flat panel, warm white 3000K; optional cool white 5200K 320 lumen available (modify part number to "LEDP52")

LIFETIME RATING: 50,000 hours

12V INTERNAL DRIVER: 4w 350mA output, 12v AC input. Voltage range of 9 to 18 volts with optimum operating range of 10 to 15 volts for consistent performance and brightness. For use with magnetic transformers only.

SOCKET: None - LED is hard wired inside fixture

WIRING: Black 3 foot 18/2 zip cord from base of fixture (12v only)
For 25 foot 16/2 fixture lead wire add -25F to catalog number.

CONNECTION: FA-05 Quick Connector (not supplied) from fixture to main cable (12/2, 10/2 or 8/2 only) 12v only

MOUNTING: Hardware mounting kit supplied

FINISH: Brass-Unfinished brass. Optional finishes available.

NOTE: 120v - 277v options available with remote LED driver. Must use FA-26 mounting post or FA-JBOX junction box to house remote driver.



AL-10-LGP-LEDP-BAV

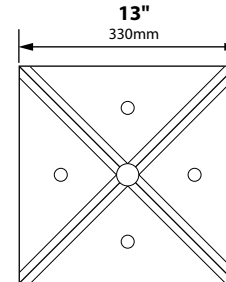
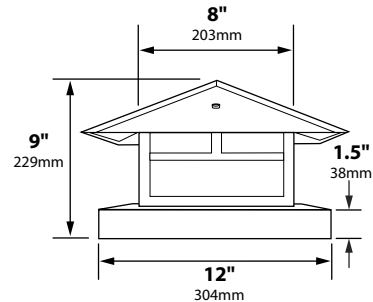


Supplied Mounting Kit:

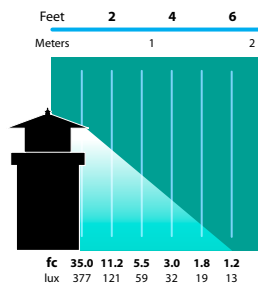
- 1x- Mounting plate
- 3x- Blue 1/4" anchors
- 3x- #10 1" Steel sink phillips screws
- 2x- Washers
- 2x- Brass thumb screws

ORDERING INFORMATION

CATALOG NO.	DESCRIPTION	LAMP	SHIP WEIGHT
AL-10-LGP-LEDP-BRS	Brass Pedestal Mount Lantern	4w LED Panel	4.0 lbs.



LIGHT DISTRIBUTIONS AND PHOTOMETRICS



AL-10-LGP

Half Spread Photometrics
12 ft. (3.7m) diameter
36" above grade



JOB INFORMATION	
Type:	Date:
Job Name:	
Cat.No.:	
Lamp(s):	
Specifier:	
Contractor:	
Notes:	

Black Texture (Standard)	Antique Verde	Bronze Texture	Camel	White Texture	Hunter Texture	Rust	Weathered Iron	Weathered Brown	Stucco	Rubbed Verde	Chrome Powder	Acid Rust	Acid Verde	Black Acid Treatment
-BLT	-ATV	-BRT	-CAM	-WTX	-HTX	-RST	-WIR	-WBR	-STU	-RBV	-CPR	-BAR/CAR	-BAV/CAV	-BAT