

INSTALLATION INSTRUCTIONS FOR 12v WALL MOUNT

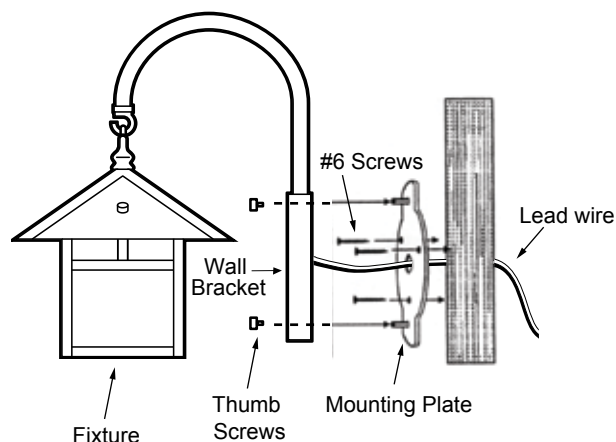
DL-22-CWM, SL-05-WM, SL-06-WM, SL-13, SL-46, SL-48, SL-49

INSPECTED BY:

INSTALLATION FOR WALL MOUNTING:

NOTE: To prevent electrical shock, disconnect transformer from electrical supply before installation or service.

1. Using mounting plate as a template and with the mounting pegs aligned vertically, position on final mounting location and mark hole locations for screws.
2. Drill pilot holes for three #6 mounting screws (supplied) and one hole in the center large enough for lead wire to pass through surface.
3. With a Philips #2 screwdriver attach mounting plate to surface using three #6 mounting screws.
4. Run fixture lead wire through center hole.
5. Attach wall bracket and fixture to mounting plate with two thumb screws (supplied.)
6. Run fixture lead wire to main 12V supply cable and connect.
7. Turn on 12V power supply and check for proper operation.



SL-13-WM

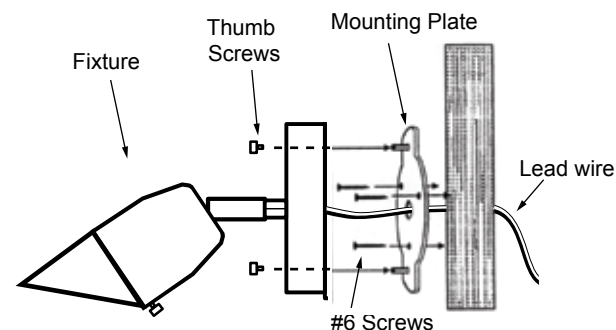
LAMP INSTALLATION/REPLACEMENT

NOTE: Turn off power before servicing fixture.

To re-lamp **DL-22-CWM**, loosen thumb screw on bottom of cap (copper fixture does not have thumb screw). Hold body and cap with each hand. Rotate and pull to separate. Pull MR16 Bi-Pin light bulb away from socket to release. Check label inside fixture for correct lamp and wattage and insert new MR16 Bi-Pin lamp into socket.

To re-lamp **SL-05-WM, SL-06-WM, SL-14-WM & SL-15-WM**, push bayonet base lamp into socket and rotate counter clockwise to release lamp. For Bi-Pin lamps, pull lamp straight out of socket. Check label inside fixture for correct lamp and wattage and insert new lamp into socket.

To re-lamp **SL-13**, hold bottom of fixture while removing four thumb screws from fixture top. Push bayonet base lamp into socket and rotate counter clockwise to release lamp. For Bi-Pin lamps, pull lamp straight out of socket. Check label inside fixture for correct lamp and wattage and insert new lamp into socket. Replace bottom of fixture, align holes and re-attach with four thumb screws.



DL-22-CWM

CAUTION: Do not exceed maximum wattage marked on fixture label.

IMPORTANT SAFETY INSTRUCTIONS TO REDUCE THE RISK OF FIRE AND INJURY TO PERSONS:

1. Lamp gets hot quickly; turn off, unplug/disconnect and allow to cool down before replacing the light bulb.
2. **DO NOT** touch hot lens, use guard or enclosure.
3. **DO NOT** look into lamp when on.
4. Keep lamp away from materials that may burn.
5. Use only with wattage/lamp marked on fixture warning and instructions.
6. Use the correct light bulb base with the correct socket.
7. **DO NOT** touch lamp at anytime. Use a lint-free cloth when handling the Halogen light bulbs as oil from skin may damage lamp and shorten lamp life.
8. **DO NOT** operate fixture with missing or damaged shield or lens.

HARDWARE SUPPLIED

- 1x Mounting Plate w/Aluminum Spacer
- 3x #6 x 1 1/4" PBEL-DWSCR
- 2x 8/32" x 1/4" Thumbscrews