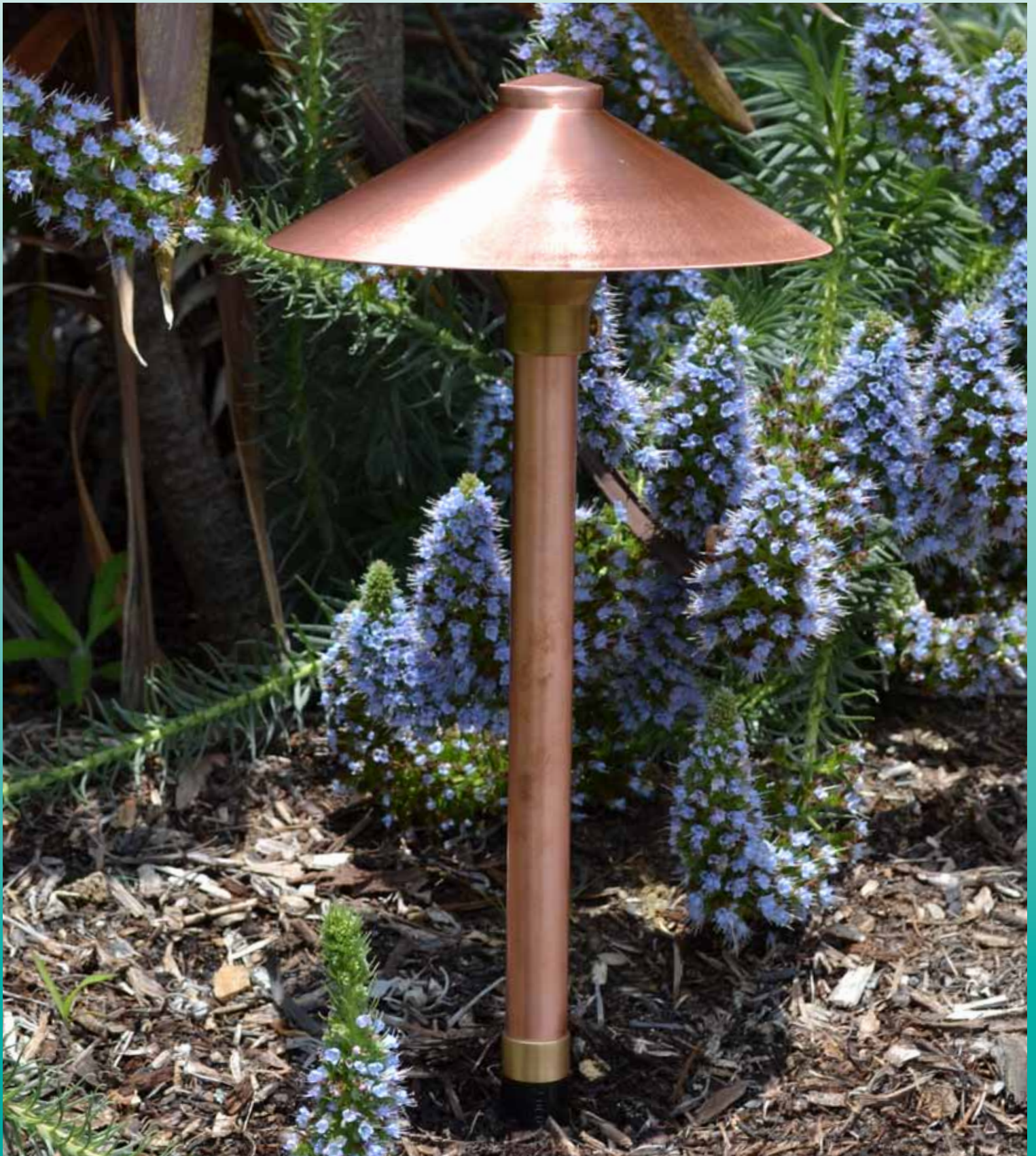


# **RXA-03 SERIES PATH LIGHT**





# AREA LIGHTS RXA-03 SERIES



TYPE

## SPECIFICATIONS

**CONSTRUCTION:** Spun copper or aluminum China Hat with matching extruded stanchion; cast brass or aluminum adjustable hub

**LAMP SUPPLIED:** 20w T3 single contact Halogen; 10,000 hours average rating (20w max)

**LAMP OPTIONS:** We recommend 10,000 hours average rating Xenon (-X), Halogen (-H) or 3w 50,000 hours average rating OMNI-3 LED (-LED3)

**SOCKET:** Single contact bayonet, brass nickel plated lamp socket screw shell (Ba15s)

**WIRING:** Black 3 foot 18/2 zip cord from base of fixture  
For 25 foot 16/2 fixture lead wire add -25F to catalog number

**CONNECTION:** FA-05 Quick Connector (not supplied) from fixture to main cable (12/2, 10/2 or 8/2 only)

**MOUNTING:** FA-03 black 9" ABS stake, tapped 1/2" NPS

**FINISH:** Copper - Unfinished  
Aluminum-Black texture polyester powder coat. Optional finishes available.



RXA-03-COP



RXA-03-WBR



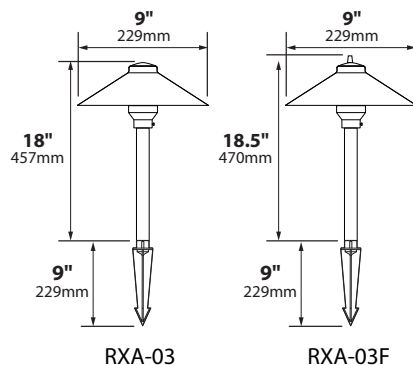
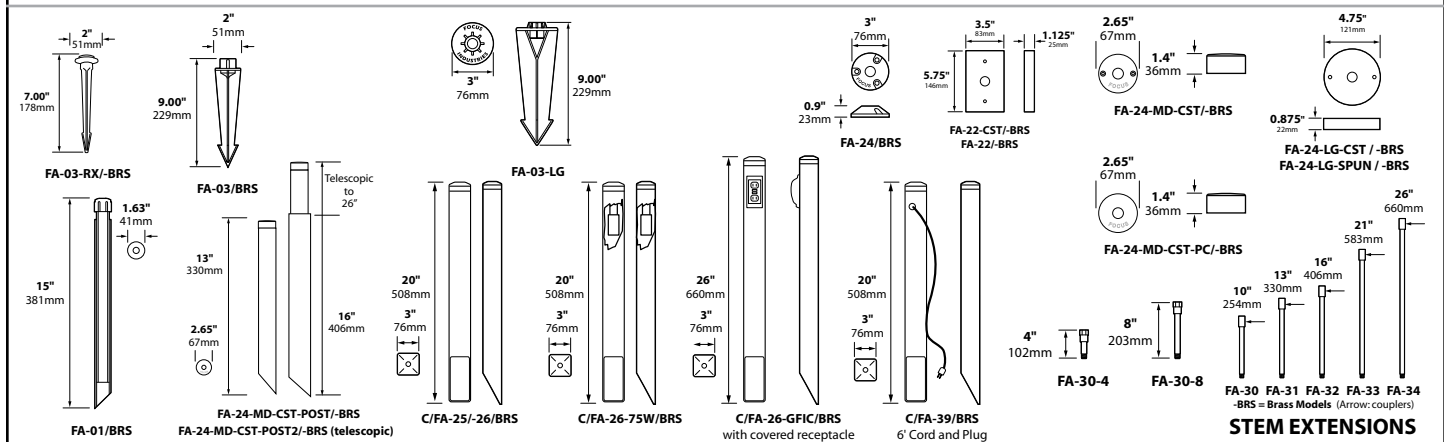
## ORDERING INFORMATION

CATALOG NO.	DESCRIPTION	LAMP	SHIP WEIGHT
RXA-03-COP	Copper 9" China Hat, with Adjustable Hub	20w T3 Halogen	3.0 lbs.
RXA-03-F-COP	Copper 9" China Hat, Finial, with Adjustable Hub	20w T3 Halogen	3.0 lbs.
RXA-03-BLT	Aluminum 9" China Hat, with Adjustable Hub	20w T3 Halogen	3.0 lbs.
RXA-03-F-BLT	Aluminum 9" China Hat, Finial, with Adjustable Hub	20w T3 Halogen	3.0 lbs.

IP54



## MOUNTING ACCESSORIES



## JOB INFORMATION

Type: \_\_\_\_\_ Date: \_\_\_\_\_

Job Name: \_\_\_\_\_

Cat.No.: \_\_\_\_\_

Lamp(s): \_\_\_\_\_

Specifier: \_\_\_\_\_

Contractor: \_\_\_\_\_

Notes: \_\_\_\_\_

FOCUS INDUSTRIES INC.  
25301 COMMERCENTRE DRIVE  
LAKE FOREST, CA 92630

www.focusindustries.com  
sales@focusindustries.com  
(949) 830-1350 • FAX (949) 830-3390

Black Texture (Standard)	Antique Verde	Bronze Texture	Camel	White Texture	Hunter Texture	Rust	Weathered Iron	Weathered Brown	Stucco	Rubbed Verde	Chrome Powder	Acid Rust	Acid Verde	Black Acid Treatment
-BLT	-ATV	-BRT	-CAM	-WTX	-HTX	-RST	-WIR	-WBR	-STU	-RBV	-CPR	-BAR/CAR	-BAV/CAV	-BAT

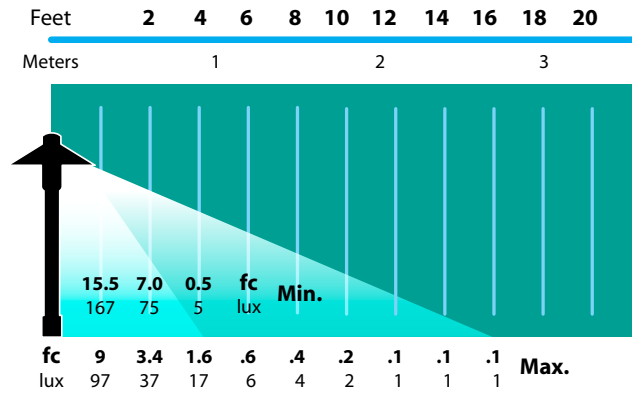


# AREA LIGHTS RXA-03 SERIES



TYPE

## LIGHT DISTRIBUTIONS AND PHOTOMETRICS



### RXA-03

Half Spread Photometrics

4 ft. (1.2m) Min. to 16 ft. (7.3m) diameter Max.

Black Texture (Standard)	Antique Verde	Bronze Texture	Camel	White Texture	Hunter Texture	Rust	Weathered Iron	Weathered Brown	Stucco	Rubbed Verde	Chrome Powder	Acid Rust	Acid Verde	Black Acid Treatment
-BLT	-ATV	-BRT	-CAM	-WTX	-HTX	-RST	-WIR	-WBR	-STU	-RBV	-CPR	-BAR/CAR	-BAV/CAV	-BAT