

# LED Rope Light, Bulk Reel

## Installation instructions for LED-MRL-XX-150

**WARNING:** These products may represent a possible shock or fire hazard if improperly installed or attached in any way. Products should be installed in accordance with these instructions, current electrical codes and/or the current National Electric Code (NEC). Use this rope light only with LED-DL-CONKIT-1.6A plug-in power cord. Any other power cord or feed may damage the fixture. Not intended for hardwire use.

### WARNINGS - READ ALL INSTRUCTIONS BEFORE YOU START:

**CAUTION -** To reduce risk of fire, electric shock or injury to persons, pay close attention to this manual and stay within its guidelines when using this product. Before use, note that this product requires a 120V AC outlet. Ensure that the voltage of your power supply is compatible!

1. Do not cover this product as the covering may cause rope to overheat, melt or ignite.
2. Do not operate LED rope light while it is tightly coiled.
3. Do not submerge flexible light in liquids, or use the product in the vicinity of standing water or other liquids.
4. Do not route the cord or rope light through walls, ceilings, doors, windows or any similar part of the building structure.
5. Secure this flexible light using only the mounting clips provided or factory recommended mounting track (sold separately).
6. Do not secure this product or its cord with staples, nails, or like means that may damage the insulation.
7. Do not use if there is any damage to the PVC housing or power cord insulation. Inspect periodically.
8. Do not install on gates or doors, where subject to continuous flexing.
9. Do not install in tanks or enclosures of any kind.
10. Follow instructions carefully when splicing LED rope sections or attaching power cords. Ensure that all connections, including the end cap on the last segment, are properly installed with dielectric grease and shrink tube to preclude the entrance of water (outdoor applications).
11. Risk of fire. Do not replace attachment plug. Discard product if attachment plug is damaged.
12. This product has a polarized plug (one blade is wider than the other) as a feature to reduce the risk of electric shock. This plug will fit in a polarized outlet only one way. If the plug does not fit fully in the outlet, reverse the plug. If it still does not fit, contact a qualified electrician. Never use with an extension cord unless plug can be fully inserted. Do not alter plug.
13. LED Rope Light can only be cut at specific intervals as indicated by the cutting marks printed on the side of the PVC housing. Failure to cut at a cut mark will result in a loss of light. Before making any cuts or attaching any power cords or jumpers, be sure power source is disconnected!
14. This product is designed for use by a qualified installer.
15. This product is for decorative use only. Not to be used by children as a toy. Keep out of reach of small children.
16. Do not exceed 150' maximum run distance in any single run.

**CAUTION -** To reduce risk of fire, electric shock or injury to persons:

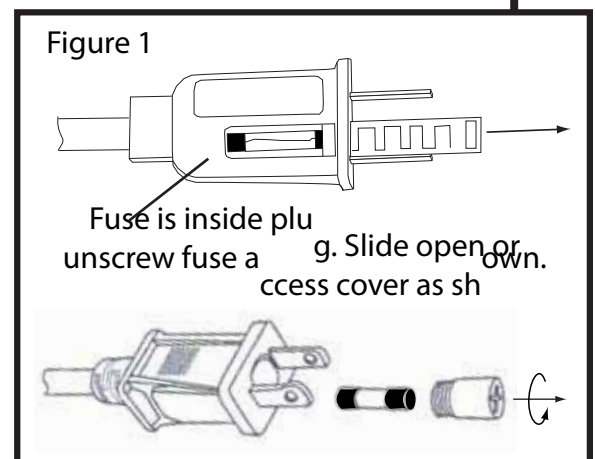
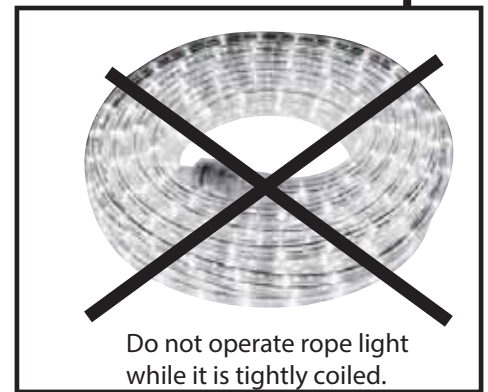
**WARNING -** When using outdoor portable lighting products, basic safety precautions should always be followed to reduce the risk of fire, electric shock and personal injury, including the following:

1. Use dielectric grease and shrink tube at all power connections including end cap when using outdoors.
2. Use Ground Fault Circuit Interrupter (GFCI) protection on the circuit(s) or outlet(s) when using outdoors.
3. Use only UL approved outdoor extension cords, such as type SW, SOW, STW, STOW, SJW, SJOW, SJTW or SJTOW. This designation is marked on the jacket of the extension cord.

### TO REPLACE FUSE (see Figure 1):

This plug contains an electrical fuse as a safety feature.

1. Disconnect power before replacing the fuse.
2. Grasp plug and remove from the receptacle or other outlet device.
3. Do not unplug by pulling on the cord.
4. Slide open or unscrew the fuse access cover on top of the attachment plug. See Figure 1.
5. Remove old fuse carefully.
6. Never attempt to replace the fuse with a higher wattage fuse. Use only 5 Amp 120 Volt fuse. Failure to do so may be a fire hazard.
7. Set new fuse in holder and reinstall access cover.



# LED Rope Light, Bulk Reel

Installation instructions for LED-MRL-XX-150

**WARNING:** Risk of fire. Do not replace attachment plug! Plug contains a safety feature (fuses) that should not be removed. Discard cord set if the attachment plug is damaged.

## CUTTING ROPE LIGHT (see Figure 2)

**NOTE:** Do not exceed 150 foot maximum run distance in any single run!

1. Determine the required length for LED Rope Light.
2. Cut the Rope Light at the end/beginning of the nearest series increment. **NOTE:** Rope Light is wired in series parallel. Cutting anywhere other than the end/beginning of a series increment will result in a loss of 3 feet or 5 feet (total) of light. See Figure 2.
3. Attach power connector to cut Rope Light section per Figure 2.
4. Attach the plastic cap on the other end of the length of Rope Light by pressing firmly until seated. For outdoor applications, use dielectric grease inside the end cap before attaching and seal the connection with heat shrink tube.

## INSTALLING ROPE LIGHT

1. Attach mounting clips with nails or screws onto wooden surfaces. Be sure that surface is mechanically sound. See Figure 4.
2. For best results, mounting clips should be evenly spaced and be a maximum of 12" apart.
3. Make sure that the distance between two lines of Rope Light are at least 1/2" apart.
4. Gently press rope light into clips so that it snaps into place.

## PROP 65 WARNING

Handling the coated electrical wires of this product exposes you to lead, a chemical known to the State of California to cause cancer, birth defects and other reproductive harm.

WASH HANDS AFTER USE.

Figure 2

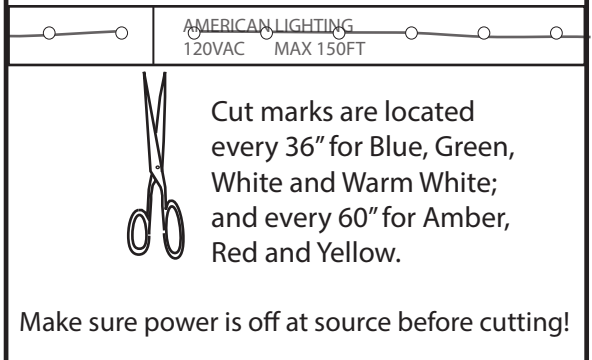


Figure 3

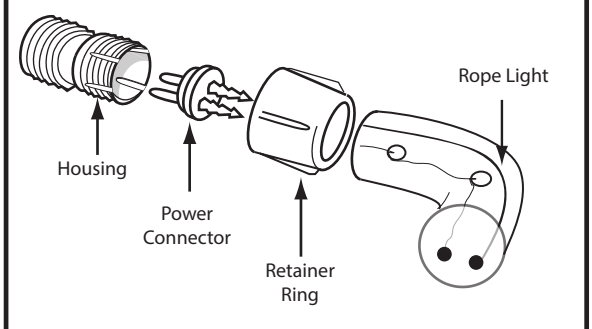


Figure 4

