

FSLED™ RECESSED STEPLIGHT INSTRUCTIONS



STEPLIGHT
Horizontal



STEPLIGHT
Vertical

IMPORTANT

READ CAREFULLY BEFORE INSTALLING FIXTURE. RETAIN THESE INSTRUCTIONS FOR FUTURE REFERENCE.

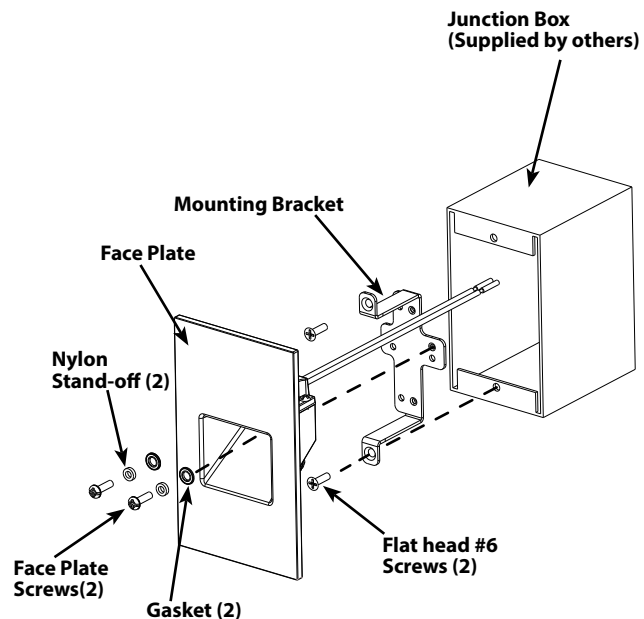
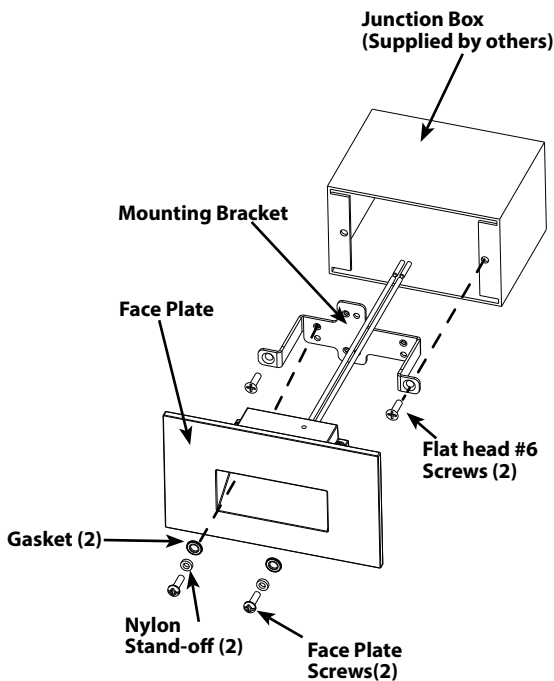
Fixtures must be wired in accordance with the National Electrical Code and all applicable local codes. Proper grounding is required for safety. THIS PRODUCT MUST BE INSTALLED IN ACCORDANCE WITH THE APPLICABLE INSTALLATION CODE BY A PERSON FAMILIAR WITH THE CONSTRUCTION AND OPERATION OF THE PRODUCT AND THE HAZARDS INVOLVED.

WARNING: Make certain power is OFF before installing or maintaining fixture. No user serviceable parts inside.

RECESSED JUNCTION BOX MOUNTING

The fixture is suitable for indoor and outdoor applications. Use with a 2" X 4" **Junction Box** (supplied by others) .
UL wet location listed.

1. Secure **Mounting Bracket** to **Junction Box** (supplied by others) using **(2) Flat Head #6 Screws** (supplied).
2. Connect the wires as shown in wiring diagram. Push all wires back into **Junction Box**, be careful not to pinch wires.
WARNING: To prevent wiring damage or abrasion, do not expose wiring to edges of sharp objects.
3. Secure the fixture to the surface by using (supplied) **(2) Face Plate Screws, (2) Gaskets and (2) Nylon Stand-off**.
4. For outdoor use apply weatherproof silicone sealant around the edge of the Fixture and/or Junction Box. This is especially important with an uneven wall surface.

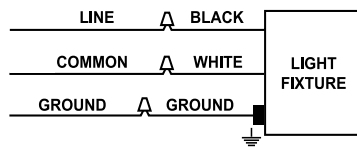


FSLED™ RECESSED STEPLIGHT INSTRUCTIONS

WIRING

CAUTION: Make sure the supply voltage is the same as the luminaire voltage. Review Specification Label on product for electrical ratings. Follow wiring directions.

1. Connect the black fixture lead to the LINE supply lead.
2. Connect the white fixture lead to the COMMON supply lead.
3. Connect the GROUND wire from fixture to supply ground.



CLEANING & MAINTENANCE

CAUTION: Be sure fixture temperature is cool enough to touch. Do not clean or maintain while fixture is energized.

1. Clean with non-abrasive cleaning solution.
2. Do not open fixture to clean the LED. Do not touch the LED.

TROUBLESHOOTING

1. Check that the line voltage at fixture is correct. Refer to wiring directions.
2. Is the fixture grounded properly?

Note: These instructions do not cover all details or variations in equipment nor do they provide for every possible situation during installation operation or maintenance.

FSLED™ RECESSED STEPLIGHT TRIMLESS INSTRUCTIONS



STEPLIGHT Trimless
Horizontal



STEPLIGHT Trimless
Vertical

IMPORTANT

READ CAREFULLY BEFORE INSTALLING FIXTURE. RETAIN THESE INSTRUCTIONS FOR FUTURE REFERENCE.

Fixtures must be wired in accordance with the National Electrical Code and all applicable local codes. Proper grounding is required for safety. THIS PRODUCT MUST BE INSTALLED IN ACCORDANCE WITH THE APPLICABLE INSTALLATION CODE BY A PERSON FAMILIAR WITH THE CONSTRUCTION AND OPERATION OF THE PRODUCT AND THE HAZARDS INVOLVED.

WARNING: Make certain power is OFF before installing or maintaining fixture. No user serviceable parts inside.

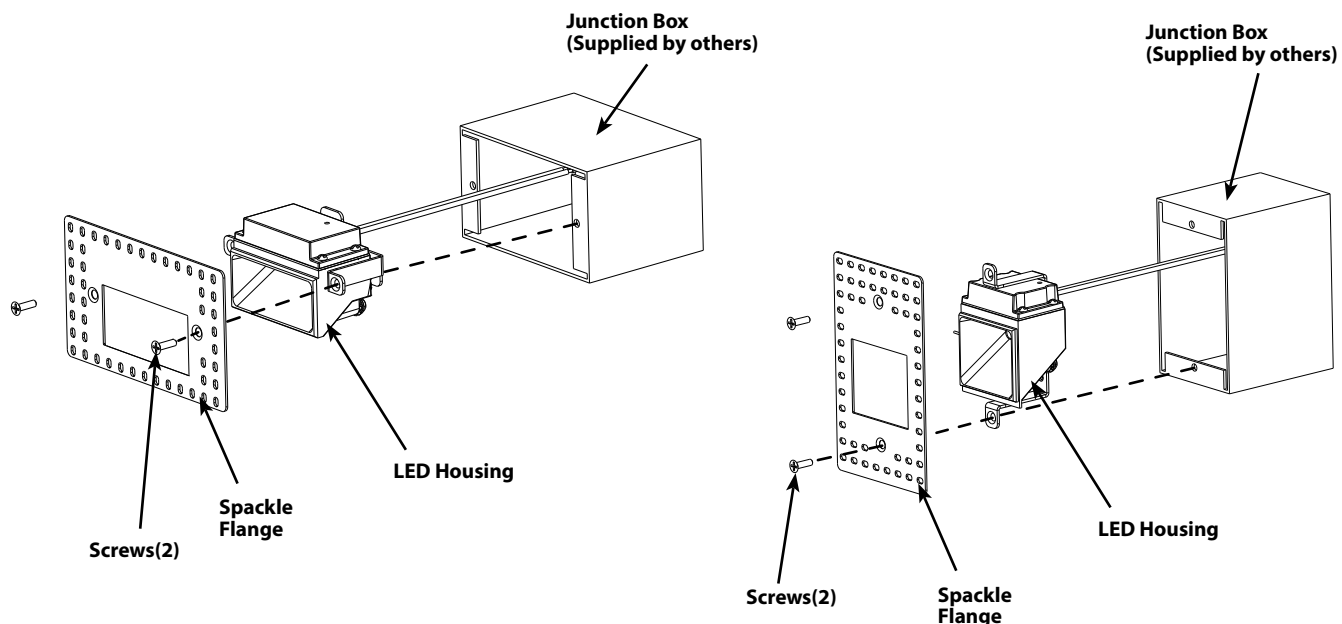
RECESSED JUNCTION BOX MOUNTING

Steplight is UL listed for wet locations and is suitable for indoor and outdoor applications. Use with a standard 2" X 4" **Junction Box (supplied by others)**.

1. Connect wires as shown in wiring diagram. Push all wires back into **Junction Box (supplied by others)**. Be careful not to pinch wires.

WARNING: To prevent wiring damage or abrasion, do not expose wiring to edges of sharp objects.

2. Secure **LED Housing** and **Spackle Flange** to the **Junction Box** by using **Screws (2)** as shown in figure.
3. For outdoor use apply weatherproof silicone sealant around the edge of the **LED Housing**, **Junction Box** and **Spackle Flange**.
4. Spackle in fixture with suitable indoor or outdoor rated materials. Ensure that fixture is level with rest of the wall.

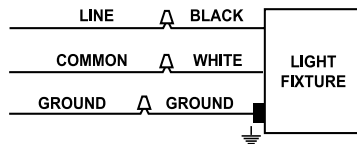


FSLED™ RECESSED STEPLIGHT TRIMLESS INSTRUCTIONS

WIRING

CAUTION: Make sure the supply voltage is the same as the luminaire voltage. Review Specification Label on product for electrical ratings. Follow wiring directions.

1. Connect the black fixture lead to the LINE supply lead.
2. Connect the white fixture lead to the COMMON supply lead.
3. Connect the GROUND wire from fixture to supply ground.



CLEANING & MAINTENANCE

CAUTION: Be sure fixture temperature is cool enough to touch. Do not clean or maintain while fixture is energized.

1. Clean with non-abrasive cleaning solution.
2. Do not open fixture to clean the LED. Do not touch the LED.

TROUBLESHOOTING

1. Check that the line voltage at fixture is correct. Refer to wiring directions.
2. Is the fixture grounded properly?

Note: These instructions do not cover all details or variations in equipment nor do they provide for every possible situation during installation operation or maintenance.