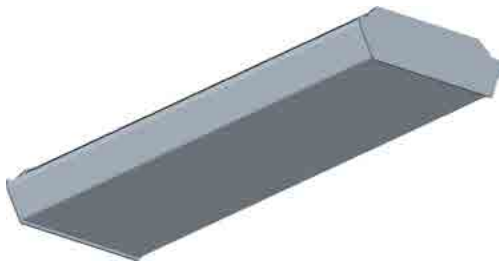
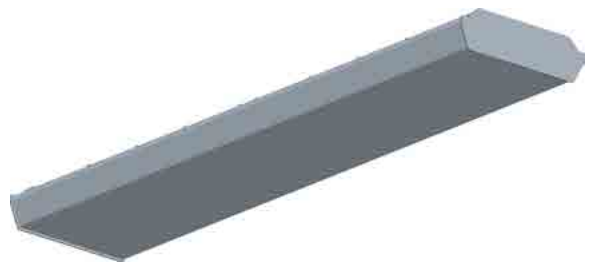


GUS™ SURFACE WRAP INSTALLATION INSTRUCTIONS



GUS- 2FT



GUS - 4FT

IMPORTANT

READ CAREFULLY BEFORE INSTALLING FIXTURE. RETAIN THESE INSTRUCTIONS FOR FUTURE REFERENCE.

Fixtures must be wired in accordance with the National Electrical Code and all applicable local codes. Proper grounding is required for safety. THIS PRODUCT MUST BE INSTALLED IN ACCORDANCE WITH THE APPLICABLE INSTALLATION CODE BY A PERSON FAMILIAR WITH THE CONSTRUCTION AND OPERATION OF THE PRODUCT AND THE HAZARDS INVOLVED.

WARNING: Make certain power is OFF before installing or maintaining fixture. No user serviceable parts inside.

SURFACE MOUNTING

The fixture is suitable for indoor applications for ceiling or wall mounting. Mount to a recessed octagonal junction box as follows:

1. Carefully snap out **Lens** one side at a time from **Housing**.
2. Remove **Screws (2)** from **Reflector** and discard. Squeeze center of **Reflector** and release from **Notches**.
3. Pull supply wires from Junction Box (not supplied) through **Center Access Hole** of **Housing** as shown in Fig. 1. Use appropriate UL approved wire connectors as required by code to make electrical splices to fixture leads.
4. For conduit mounting drill out **End Cap**, connect conduit.
5. Secure **Housing** to junction box or mount **Housing** directly to sturdy surface by using the **Drill Locations** (6 holes for 4 FT fixture, 4 holes for 2 FT) fixture. Use the appropriate mounting hardware for the mounting surface.
6. Once connections are made push all wires behind the **Reflector**.
7. Replace **Reflector**. Be careful not to pinch wires. Hook **Lens** to one side of **Housing** and Snap **Lens** into place as shown in Fig. 2.

WARNING: To prevent wiring damage or abrasion, do not expose wiring to edges of sharp objects.

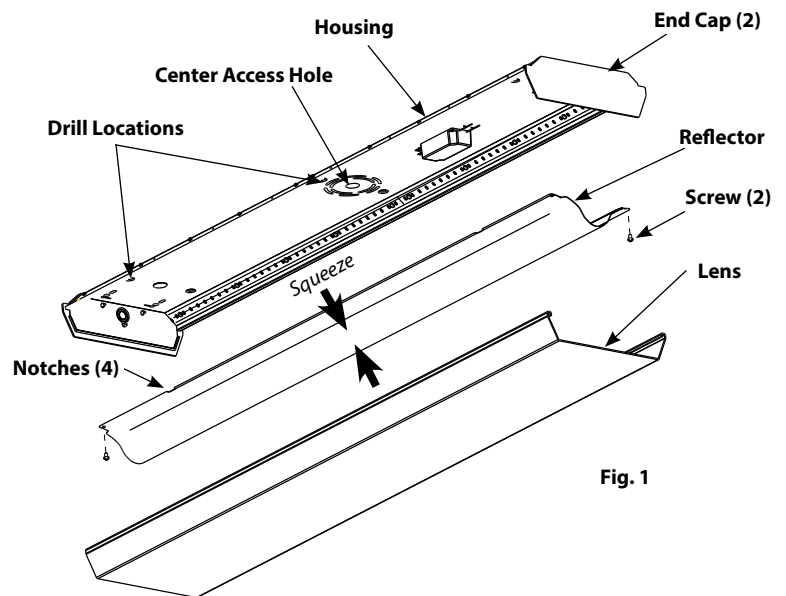


Fig. 1

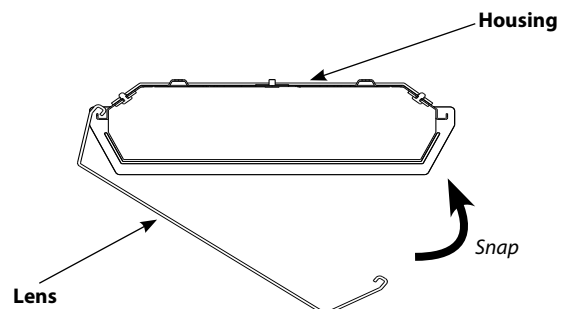


Fig. 2

GUS™ SURFACE WRAP INSTALLATION INSTRUCTIONS

ACCESSORIES - GUS JCAP

(ordered separately) - Fig. 3

1. Remove **End Caps** (2) from both **Housings** and replace with **GUS JCAP**.
2. Secure **GUS JCAP** with **Screws (3)** and **Nuts (3)** provided as shown in Fig. 3 to join both Housings.
3. Follow directions on Page 1 to secure **Housings** to mounting surface. If necessary feed wires through from one fixture to the other.

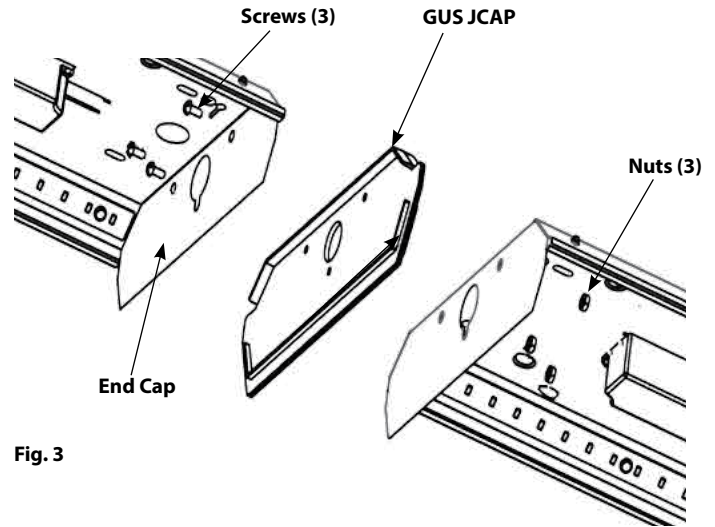


Fig. 3

0-10V DIMMABLE WIRING

Universal voltage driver permits operation at 120V thru 277V, 50 or 60 Hz. For 0-10V Dimming, follow the wiring directions in **Fig. 4**.

1. Connect the black fixture lead to the LINE supply lead.
2. Connect the white fixture lead to the COMMON supply lead.
3. Connect the GROUND wire from fixture to supply ground. Do NOT connect the GROUND of the dimming fixture to the output.
4. Connect the purple fixture lead to the (V+) DIM lead.
5. Connect the gray fixture lead to the (V-) DIM lead.
6. Cap the yellow fixture lead, if present. Do NOT connect.

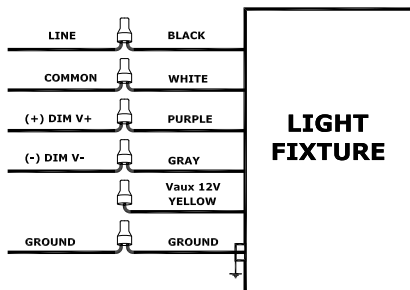


Fig. 4

CLEANING & MAINTENANCE

CAUTION: Be sure fixture temperature is cool enough to touch. Do not clean or maintain while fixture is energized.

1. Clean acrylic lens with non-abrasive cleaning solution.
2. Do not open the fixture to clean the LEDs. Do not touch the LEDs.

TROUBLESHOOTING

1. Check that the line voltage at the fixture is correct. Refer to wiring directions.
2. Be sure the fixture is grounded properly.

Pending: Pat. pending

Note: These instructions do not cover all details or variations in equipment nor do they provide for every possible situation during installation operation or maintenance.