

# GLE52



52 Watts of energy efficient LED garage lighting replaces 175 Watt Metal Halide. 100,000 hour LED lifespan. 5 year warranty. High-performance output maximizes spacing criterion.

Color: Bronze

Weight: 18.2 lbs

Project:

Type:

Prepared By:

Date:

## Driver Info

Type: Constant Current  
120V: 0.49A  
208V: 0.31A  
240V: 0.27A  
277V: 0.24A  
Input Watts: 59W  
Efficiency: 88%

## LED Info

Watts: 52W  
Color Temp: 5100K  
Color Accuracy: 68 CRI  
L70 Lifespan: 100000  
Lumens: 4,975  
Efficacy: 84 LPW

## Technical Specifications

### Listings

#### UL Listing:

Suitable for Wet Locations. Covered Ceiling Mount Only.

#### IESNA LM-79 & LM-80 Testing:

RAB LED luminaires have been tested by an independent laboratory in accordance with IESNA LM-79 and LM-80, and have received the Department of Energy "Lighting Facts" label.

#### DLC Listed:

This product is on the Design Lights Consortium (DLC) Qualified Products List and is eligible for rebates from DLC Member Utilities.  
DLC Product Code: P00001713

### Optical

#### Lumen Maintenance:

100,000-hour LED lifespan based on IES LM-80 results and TM-21 calculations.

#### BUG Rating:

B3 U3 G2

### LED Characteristics

#### LEDs:

4x13W high-output, long-life LEDs.

#### Color Consistency:

7-step MacAdam Ellipse binning to achieve consistent fixture-to-fixture color.

#### Color Stability:

LED color temperature is warranted to shift no more than 200K in CCT over a 5 year period.

#### Color Uniformity:

RAB's range of CCT (Correlated Color Temperature) follows the guidelines of the American National Standard for Specifications for the Chromaticity of Solid State Lighting (SSL) Products, ANSI C78.377-2011.

### Electrical

#### Drivers:

2x26W Driver, Constant Current, Class 2, 100V-277V, 50/60 Hz, 6kv Surge Protection, 720mA, 100-277VAC 0.4 Amps.

#### Power Factor:

99.6% at 120V, 90.2% 277V

#### THD:

8.3% at 120V, 11.5% at 277V

### Construction

#### Cold Weather Starting:

Minimum starting temperature is -40°C (-40°F).

#### Ambient Temperature:

Suitable for use in 40°C (104°F) ambient temperatures

#### Thermal Management:

Superior heat sinking with integrated air-flow fins.

#### Housing:

Precision die-cast aluminum housing and door frame.

#### Mounting:

Easy hanging plate with hooks for ceiling mount.

#### Lens:

Prismatic polycarbonate lens.

### Reflector:

Specular vacuum-metallized polycarbonate with ultra-white, 97% reflective optics.

### Gaskets:

High-temperature silicone

### Finish:

Our environmentally friendly polyester powder coatings are formulated for high-durability and long-lasting color, and contains no VOC or toxic heavy metals.

### Green Technology:

Mercury and UV free. RoHS compliant components. Polyester powder coat finish formulated without the use of VOC or toxic heavy metals.

### Other

#### Equivalency:

The GLED52 is Equivalent in delivered lumens to 175W Metal Halide.

#### California Title 24:

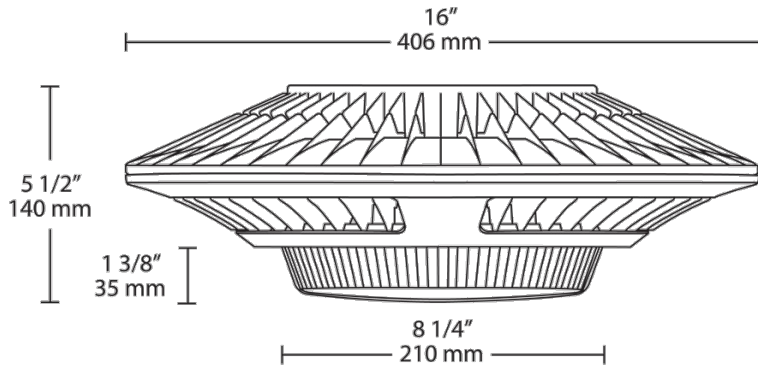
See GLED52BB/BL or GLED52/D10 for a 2013 California Title 24 compliant product. Any additional component requirements will be listed in the Title 24 section under technical specifications on the product page.

#### Patents:

The design of GLED52 is protected by patents pending in US, Canada, China, Taiwan and Mexico.

# GLE52

## Dimensions



## Features

Low-profile design Ideal for Parking Garages

52W Replaces 175W MH Luminaires

100,000-hour LED lifespan based on IES LM-80 results and TM-21 calculations

Up to 25% Reduction in Fixture Count

Lock screw provided for pendant mount

# GLED52N



52 Watts of energy efficient LED garage lighting replaces 175 Watt Metal Halide. 100,000 hour LED lifespan. 5 year warranty. High-performance output maximizes spacing criterion.

Color: Bronze

Weight: 18.2 lbs

Project:

Type:

Prepared By:

Date:

## Driver Info

Type: Constant Current  
120V: 0.49A  
208V: 0.31A  
240V: 0.27A  
277V: 0.24A  
Input Watts: 59W  
Efficiency: 88%

## LED Info

Watts: 52W  
Color Temp: 4000K  
Color Accuracy: 83 CRI  
L70 Lifespan: 100000  
Lumens: 4,242  
Efficacy: 71 LPW

## Technical Specifications

### Listings

#### UL Listing:

Suitable for Wet Locations. Covered Ceiling Mount Only.

#### IESNA LM-79 & LM-80 Testing:

RAB LED luminaires have been tested by an independent laboratory in accordance with IESNA LM-79 and LM-80, and have received the Department of Energy "Lighting Facts" label.

### Optical

#### Lumen Maintenance:

100,000-hour LED lifespan based on IES LM-80 results and TM-21 calculations.

#### BUG Rating:

B3 U3 G1

### LED Characteristics

#### LEDs:

4x13W high-output, long-life LEDs.

#### Color Consistency:

3-step MacAdam Ellipse binning to achieve consistent fixture-to-fixture color.

#### Color Stability:

LED color temperature is warranted to shift no more than 200K in CCT over a 5 year period.

#### Color Uniformity:

RAB's range of CCT (Correlated Color Temperature) follows the guidelines of the American National Standard for Specifications for the Chromaticity of Solid State Lighting (SSL) Products, ANSI C78.377-2011.

### Electrical

#### Drivers:

2x26W Driver, Constant Current, Class 2, 100V-277V, 50/60 Hz, 6kv Surge Protection, 720mA, 100-277VAC 0.4 Amps.

#### Power Factor:

99.4% at 120V, 90.7% 277V

#### THD:

7.5%% at 120V, 9.9% at 277V

### Construction

#### Cold Weather Starting:

Minimum starting temperature is -40°C (-40°F).

#### Ambient Temperature:

Suitable for use in 40°C (104°F) ambient temperatures

#### Thermal Management:

Superior heat sinking with integrated air-flow fins.

#### Housing:

Precision die-cast aluminum housing and door frame.

#### Mounting:

Easy hanging plate with hooks for ceiling mount.

#### Lens:

Prismatic polycarbonate lens.

#### Reflector:

Specular vacuum-metallized polycarbonate with ultra-white, 97% reflective optics.

#### Gaskets:

High-temperature silicone

#### Finish:

Our environmentally friendly polyester powder coatings are formulated for high-durability and long-lasting color, and contains no VOC or toxic heavy metals.

#### Green Technology:

Mercury and UV free. RoHS compliant components. Polyester powder coat finish formulated without the use of VOC or toxic heavy metals.

### Other

#### Equivalency:

The GLED52 is Equivalent in delivered lumens to 175W Metal Halide.

#### California Title 24:

See GLED52BB/BL or GLED52/D10 for a 2013 California Title 24 compliant product. Any additional component requirements will be listed in the Title 24 section under technical specifications on the product page.

#### Patents:

The design of GLED52 is protected by patents pending in US, Canada, China, Taiwan and Mexico.

#### Country of Origin:

Designed by RAB in New Jersey and assembled in the USA by RAB's IBEW Local 3 workers.

#### Buy American Act Compliant:

This product is a COTS item manufactured in the United States, and is compliant with the Buy American Act.

# GLE52N

## Technical Specifications (continued)

### Other

#### Recovery Act (ARRA) Compliant:

This product complies with the 52.225-21 "Required Use of American Iron, Steel, and Manufactured Goods-- Buy American Act-- Construction Materials (October 2010).

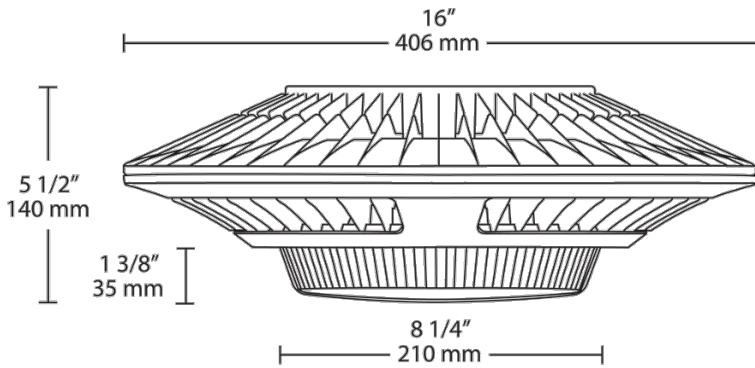
#### Trade Agreements Act Compliant:

This product is a COTS item manufactured in the United States, and is compliant with the Trade Agreements Act.

#### GSA Schedule:

Suitable in accordance with FAR Subpart 25.4.

### Dimensions



### Features

- Low-profile design Ideal for Parking Garages
- 52W Replaces 175W MH Luminaires
- 100,000-hour LED lifespan based on IES LM-80 results and TM-21 calculations
- Up to 25% Reduction in Fixture Count
- Lock screw provided for pendant mount

# GLE52Y



52 Watts of energy efficient LED garage lighting replaces 175 Watt Metal Halide. 100,000 hour LED lifespan. 5 year warranty. High-performance output maximizes spacing criterion.

Color: Bronze

Weight: 18.2 lbs

Project:

Type:

Prepared By:

Date:

## Driver Info

Type: Constant Current  
120V: 0.49A  
208V: 0.31A  
240V: 0.27A  
277V: 0.24A  
Input Watts: 58W  
Efficiency: 89%

## LED Info

Watts: 52W  
Color Temp: 3000K  
Color Accuracy: 83 CRI  
L70 Lifespan: 100000  
Lumens: 3,893  
Efficacy: 67 LPW

## Technical Specifications

### Listings

#### UL Listing:

Suitable for Wet Locations. Covered Ceiling Mount Only.

#### IESNA LM-79 & LM-80 Testing:

RAB LED luminaires have been tested by an independent laboratory in accordance with IESNA LM-79 and LM-80, and have received the Department of Energy "Lighting Facts" label.

### Optical

#### Lumen Maintenance:

100,000-hour LED lifespan based on IES LM-80 results and TM-21 calculations.

#### BUG Rating:

B2 U3 G1

### LED Characteristics

#### LEDs:

4x13W high-output, long-life LEDs.

#### Color Consistency:

3-step MacAdam Ellipse binning to achieve consistent fixture-to-fixture color.

#### Color Stability:

LED color temperature is warranted to shift no more than 200K in CCT over a 5 year period.

#### Color Uniformity:

RAB's range of CCT (Correlated Color Temperature) follows the guidelines of the American National Standard for Specifications for the Chromaticity of Solid State Lighting (SSL) Products, ANSI C78.377-2011.

### Electrical

#### Drivers:

2x26W Driver, Constant Current, Class 2, 100V-277V, 50/60 Hz, 6kv Surge Protection, 720mA, 100-277VAC 0.4 Amps.

#### Power Factor:

99.4% at 120V, 89.8% 277V

#### THD:

7.7% at 120V, 10.6% at 277V

### Construction

#### Cold Weather Starting:

Minimum starting temperature is -40°C (-40°F).

#### Ambient Temperature:

Suitable for use in 40°C (104°F) ambient temperatures

#### Thermal Management:

Superior heat sinking with integrated air-flow fins.

#### Housing:

Precision die-cast aluminum housing and door frame.

#### Mounting:

Easy hanging plate with hooks for ceiling mount.

#### Lens:

Prismatic polycarbonate lens.

#### Reflector:

Specular vacuum-metallized polycarbonate with ultra-white, 97% reflective optics.

#### Gaskets:

High-temperature silicone

#### Finish:

Our environmentally friendly polyester powder coatings are formulated for high-durability and long-lasting color, and contains no VOC or toxic heavy metals.

#### Green Technology:

Mercury and UV free. RoHS compliant components. Polyester powder coat finish formulated without the use of VOC or toxic heavy metals.

### Other

#### Equivalency:

The GLED52 is Equivalent in delivered lumens to 175W Metal Halide.

#### California Title 24:

See GLED52BB/BL or GLED52/D10 for a 2013 California Title 24 compliant product. Any additional component requirements will be listed in the Title 24 section under technical specifications on the product page.

#### Patents:

The design of GLED52 is protected by patents pending in US, Canada, China, Taiwan and Mexico.

#### Country of Origin:

Designed by RAB in New Jersey and assembled in the USA by RAB's IBEW Local 3 workers.

#### Buy American Act Compliant:

This product is a COTS item manufactured in the United States, and is compliant with the Buy American Act.

# GLE52Y

## Technical Specifications (continued)

### Other

#### Recovery Act (ARRA) Compliant:

This product complies with the 52.225-21 "Required Use of American Iron, Steel, and Manufactured Goods-- Buy American Act-- Construction Materials (October 2010).

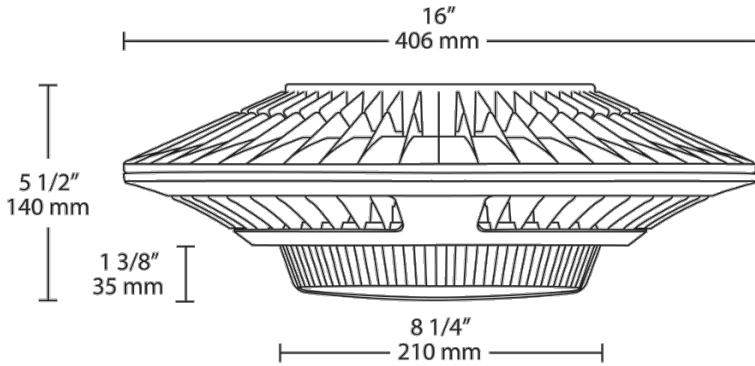
#### Trade Agreements Act Compliant:

This product is a COTS item manufactured in the United States, and is compliant with the Trade Agreements Act.

#### GSA Schedule:

Suitable in accordance with FAR Subpart 25.4.

### Dimensions



### Features

Low-profile design Ideal for Parking Garages

52W Replaces 175W MH Luminaires

100,000-hour LED lifespan based on IES LM-80 results and TM-21 calculations

Up to 25% Reduction in Fixture Count

Lock screw provided for pendant mount