

TRLED2X2-37N/D10



LED performance in an economical 2x2 troffer.

Color: White

Weight: 9.5 lbs

Project:

Type:

Prepared By:

Date:

Driver Info

| | |
|--------------|------------------|
| Type: | Constant Current |
| 120V: | 0.31A |
| 208V: | 0.19A |
| 240V: | 0.16A |
| 277V: | 0.14A |
| Input Watts: | 38W |
| Efficiency: | 97% |

LED Info

| | |
|-----------------|--------|
| Watts: | 37W |
| Color Temp: | 4000K |
| Color Accuracy: | 83 CRI |
| L70 Lifespan: | 100000 |
| Lumens: | 3,370 |
| Efficacy: | 89 LPW |

Technical Specifications

Listings

UL Listing:

Suitable for damp locations

IESNA LM-79 & LM-80 Testing:

RAB LED luminaires have been tested by an independent laboratory in accordance with IESNA LM-79 and LM-80, and have received the Department of Energy "Lighting Facts" label.

DLC Listed:

This product is on the Design Lights Consortium (DLC) Qualified Products List and is eligible for rebates from DLC Member Utilities.
DLC Product Code: P000017BS

Electrical

Driver:

Constant Current, Class 2, 4-channel driver with 0-10V dimming, 350mA, 120-277VAC 0.46A, Power Factor >94%

Dimming Driver:

Driver includes dimming control for 0-10V dimming systems. Requires separate 0-10V DC dimming circuit. Dims as low as 5%.

THD:

10.3% at 120V, 12.8% at 277V

Construction

Lens:

Nominal .125" thick prismatic acrylic lens with diffusion for enhanced optical performance

IC Rating:

Suitable for insulated ceilings

Housing:

Die-formed 22 gauge, cold-rolled steel

Installation:

Standard integral earthquake and NEC T-bar clips secure the fixture to T-bars and prevent T-system separation. For recessed mounting kit see

Finish:

High-reflectance (91%) powder coat applied post production for a more durable finish

Green Technology:

Mercury and UV free. RoHS compliant components. Polyester powder coat finish formulated without the use of VOC or toxic heavy metals.

LED Characteristics

LEDs:

Long-life, high-efficiency, micro-power, surface mount LEDs; binned and mixed for uniform light output and color.

Lifespan:

100,000-hour LED lifespan based on IES LM-80 results and TM-21 calculations.

Color Stability:

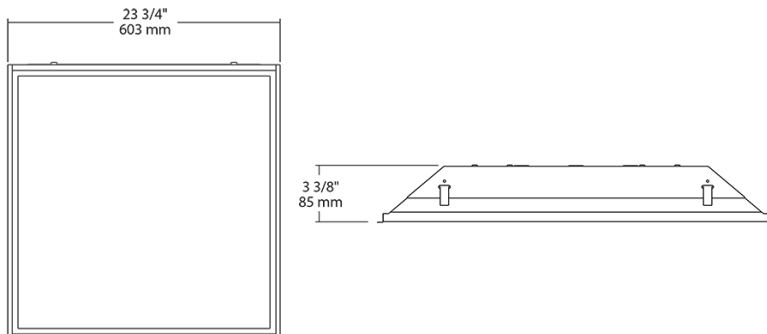
LED Color temperature is warrantied to shift no more than 200K in CCT over a 5 year period.

Other

California Title 24:

TRLED2X2-37N/D10 complies with 2013 California Title 24 building and electrical codes as a commercial indoor fixture for general spaces when used with a vacancy sensor and 0-10V dimming control. Select a vacancy sensor using catalog number LVS800. 0-10V dimmer provided by others.

Dimensions



Features

- High efficiency, low maintenance alternative to fluorescent
- Prismatic lens with diffusion for enhanced optical performance
- 0-10V dimming standard on all models
- Optional recessed mounting kit available
- 100,000-hour LED lifespan
- 5-Year warranty

TRLED2X2-37N/D10

Ordering Matrix

| Family | Size | Watts | Color Temp | Dimming |
|--------|---------------|----------------------|--|-----------------|
| TRLED | 2X2 = 2' x 2' | 37 = 37W 50 = 50W | Y = 3000K (Warm) YN = 3500K (Warm Neutral) N = 4000K (Neutral) | /D10 = Dimmable |

TRLED2X2-37Y/D10



LED performance in an economical 2x2 troffer.

Color: White

Weight: 9.5 lbs

Project:

Type:

Prepared By:

Date:

Driver Info

| | |
|--------------|------------------|
| Type: | Constant Current |
| 120V: | 0.31A |
| 208V: | 0.19A |
| 240V: | 0.16A |
| 277V: | 0.14A |
| Input Watts: | 39W |
| Efficiency: | 96% |

LED Info

| | |
|-----------------|--------|
| Watts: | 37W |
| Color Temp: | 3000K |
| Color Accuracy: | 82 CRI |
| L70 Lifespan: | 100000 |
| Lumens: | 3,201 |
| Efficacy: | 83 LPW |

Technical Specifications

Listings

UL Listing:

Suitable for damp locations

IESNA LM-79 & LM-80 Testing:

RAB LED luminaires have been tested by an independent laboratory in accordance with IESNA LM-79 and LM-80, and have received the Department of Energy "Lighting Facts" label.

DLC Listed:

This product is on the Design Lights Consortium (DLC) Qualified Products List and is eligible for rebates from DLC Member Utilities.
DLC Product Code: P000017BQ

Electrical

Driver:

Constant Current, Class 2, 4-channel driver with 0-10V dimming, 350mA, 120-277VAC 0.46A, Power Factor >94%

Dimming Driver:

Driver includes dimming control for 0-10V dimming systems. Requires separate 0-10V DC dimming circuit. Dims as low as 5%.

THD:

9.8% at 120V, 13.5% at 277V

Construction

Lens:

Nominal .125" thick prismatic acrylic lens with diffusion for enhanced optical performance

IC Rating:

Suitable for insulated ceilings

Housing:

Die-formed 22 gauge, cold-rolled steel

Installation:

Standard integral earthquake and NEC T-bar clips secure the fixture to T-bars and prevent T-system separation. For recessed mounting kit see

Finish:

High-reflectance (91%) powder coat applied post production for a more durable finish

Green Technology:

Mercury and UV free. RoHS compliant components. Polyester powder coat finish formulated without the use of VOC or toxic heavy metals.

LED Characteristics

LEDs:

Long-life, high-efficiency, micro-power, surface mount LEDs; binned and mixed for uniform light output and color.

Lifespan:

100,000-hour LED lifespan based on IES LM-80 results and TM-21 calculations.

Color Stability:

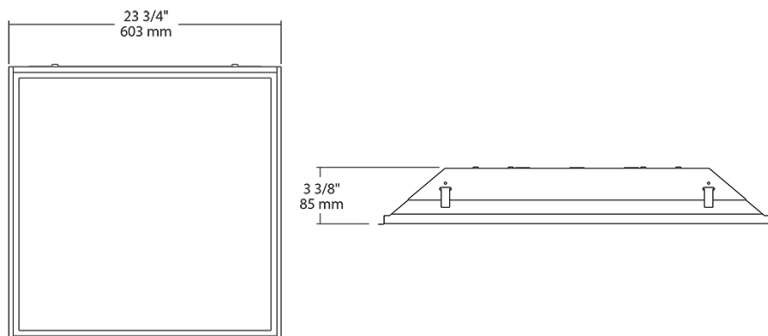
LED Color temperature is warrantied to shift no more than 200K in CCT over a 5 year period.

Other

California Title 24:

TRLED2X2-37Y/D10 complies with 2013 California Title 24 building and electrical codes as a commercial indoor fixture for general spaces when used with a vacancy sensor and 0-10V dimming control. Select a vacancy sensor using catalog number LVS800. 0-10V dimmer provided by others.

Dimensions



Features

- High efficiency, low maintenance alternative to fluorescent
- Prismatic lens with diffusion for enhanced optical performance
- 0-10V dimming standard on all models
- Optional recessed mounting kit available
- 100,000-hour LED lifespan
- 5-Year warranty

TRLED2X2-37Y/D10

Ordering Matrix

| Family | Size | Watts | Color Temp | Dimming |
|--------|---------------|----------------------|--|-----------------|
| TRLED | 2X2 = 2' x 2' | 37 = 37W 50 = 50W | Y = 3000K (Warm) YN = 3500K (Warm Neutral) N = 4000K (Neutral) | /D10 = Dimmable |

TRLED2X2-37YN/D10



LED performance in an economical 2x2 troffer.

Color: White

Weight: 9.5 lbs

Project:

Type:

Prepared By:

Date:

Driver Info

Type: Constant Current
120V: 0.31A
208V: 0.19A
240V: 0.16A
277V: 0.14A
Input Watts: 38W
Efficiency: 99%

LED Info

Watts: 37W
Color Temp: 3500K
Color Accuracy: 84 CRI
L70 Lifespan: 100000
Lumens: 3,322
Efficacy: 89 LPW

Technical Specifications

Listings

UL Listing:

Suitable for damp locations

IESNA LM-79 & LM-80 Testing:

RAB LED luminaires have been tested by an independent laboratory in accordance with IESNA LM-79 and LM-80, and have received the Department of Energy "Lighting Facts" label.

DLC Listed:

This product is on the Design Lights Consortium (DLC) Qualified Products List and is eligible for rebates from DLC Member Utilities.
DLC Product Code: P000017BR

Electrical

Driver:

Constant Current, Class 2, 4-channel driver with 0-10V dimming, 350mA, 120-277VAC 0.46A, Power Factor >94%

Dimming Driver:

Driver includes dimming control for 0-10V dimming systems. Requires separate 0-10V DC dimming circuit. Dims as low as 5%.

THD:

10.1% at 120V, 13.1% at 277V

Construction

Lens:

Nominal .125" thick prismatic acrylic lens with diffusion for enhanced optical performance

IC Rating:

Suitable for insulated ceilings

Housing:

Die-formed 22 gauge, cold-rolled steel

Installation:

Standard integral earthquake and NEC T-bar clips secure the fixture to T-bars and prevent T-system separation. For recessed mounting kit see

Finish:

High-reflectance (91%) powder coat applied post production for a more durable finish

Green Technology:

Mercury and UV free. RoHS compliant components. Polyester powder coat finish formulated without the use of VOC or toxic heavy metals.

LED Characteristics

LEDs:

Long-life, high-efficiency, micro-power, surface mount LEDs; binned and mixed for uniform light output and color.

Lifespan:

100,000-hour LED lifespan based on IES LM-80 results and TM-21 calculations.

Color Stability:

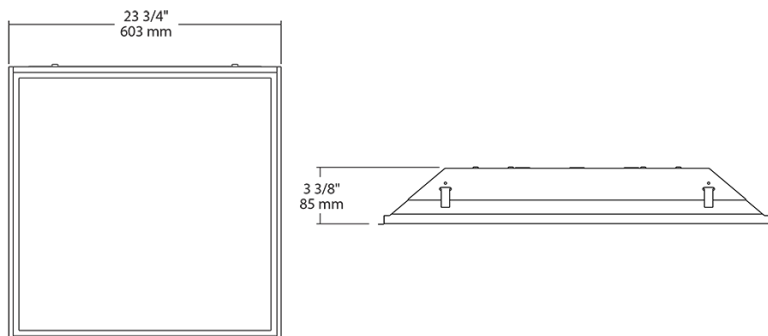
LED Color temperature is warrantied to shift no more than 200K in CCT over a 5 year period.

Other

California Title 24:

TRLED2X2-37YN/D10 complies with 2013 California Title 24 building and electrical codes as a commercial indoor fixture for general spaces when used with a vacancy sensor and 0-10V dimming control. Select a vacancy sensor using catalog number LVS800. 0-10V dimmer provided by others.

Dimensions



Features

- High efficiency, low maintenance alternative to fluorescent
- Prismatic lens with diffusion for enhanced optical performance
- 0-10V dimming standard on all models
- Optional recessed mounting kit available
- 100,000-hour LED lifespan
- 5-Year warranty

TRLED2X2-37YN/D10

Ordering Matrix

| Family | Size | Watts | Color Temp | Dimming |
|--------|---------------|----------------------|--|-----------------|
| TRLED | 2X2 = 2' x 2' | 37 = 37W 50 = 50W | Y = 3000K (Warm) YN = 3500K (Warm Neutral) N = 4000K (Neutral) | /D10 = Dimmable |

TRLED2X2-50N/D10



LED performance in an economical 2x2 troffer.

Color: White

Weight: 9.5 lbs

Project:

Type:

Prepared By:

Date:

Driver Info

Type: Constant Current
 120V: 0.42A
 208V: 0.25A
 240V: 0.22A
 277V: 0.19A
 Input Watts: 51W
 Efficiency: 98%

LED Info

Watts: 50W
 Color Temp: 4000K
 Color Accuracy: 83 CRI
 L70 Lifespan: 100000
 Lumens: 4,230
 Efficacy: 83 LPW

Technical Specifications

Listings

UL Listing:

Suitable for damp locations

IESNA LM-79 & LM-80 Testing:

RAB LED luminaires have been tested by an independent laboratory in accordance with IESNA LM-79 and LM-80, and have received the Department of Energy "Lighting Facts" label.

DLC Listed:

This product is on the Design Lights Consortium (DLC) Qualified Products List and is eligible for rebates from DLC Member Utilities.
 DLC Product Code: P000017BT

Electrical

Driver:

Constant Current, Class 2, 4-channel driver with 0-10V dimming, 450mA, 120-277VAC 0.55A, Power Factor >92%

Dimming Driver:

Driver includes dimming control for 0-10V dimming systems. Requires separate 0-10V DC dimming circuit. Dims as low as 5%.

THD:

10.8% at 120V, 13.4% at 277V

Construction

Lens:

Nominal .125" thick prismatic acrylic lens with diffusion for enhanced optical performance

IC Rating:

Suitable for insulated ceilings

Housing:

Die-formed 22 gauge, cold-rolled steel

Installation:

Standard integral earthquake and NEC T-bar clips secure the fixture to T-bars and prevent T-system separation. For recessed mounting kit see

Finish:

High-reflectance (91%) powder coat applied post production for a more durable finish

Green Technology:

Mercury and UV free. RoHS compliant components. Polyester powder coat finish formulated without the use of VOC or toxic heavy metals.

LED Characteristics

LEDs:

Long-life, high-efficiency, micro-power, surface mount LEDs; binned and mixed for uniform light output and color.

Lifespan:

100,000-hour LED lifespan based on IES LM-80 results and TM-21 calculations.

Color Stability:

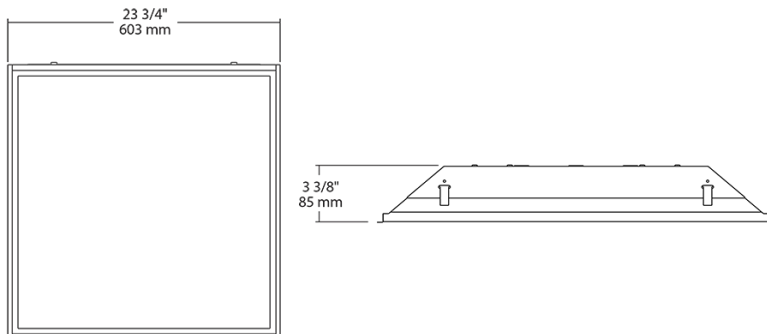
LED Color temperature is warrantied to shift no more than 200K in CCT over a 5 year period.

Other

California Title 24:

TRLED2X2-50N/D10 complies with 2013 California Title 24 building and electrical codes as a commercial indoor fixture for general spaces when used with a vacancy sensor and 0-10V dimming control. Select a vacancy sensor using catalog number LVS800. 0-10V dimmer provided by others.

Dimensions



Features

- High efficiency, low maintenance alternative to fluorescent
- Prismatic lens with diffusion for enhanced optical performance
- 0-10V dimming standard on all models
- Optional recessed mounting kit available
- 100,000-hour LED lifespan
- 5-Year warranty

TRLED2X2-50N/D10

Ordering Matrix

| Family | Size | Watts | Color Temp | Dimming |
|--------|---------------|----------------------|--|-----------------|
| TRLED | 2X2 = 2' x 2' | 37 = 37W 50 = 50W | Y = 3000K (Warm) YN = 3500K (Warm Neutral) N = 4000K (Neutral) | /D10 = Dimmable |

TRLED2X2-50Y/D10



LED performance in an economical 2x2 troffer.

Color: White

Weight: 9.5 lbs

Project:

Type:

Prepared By:

Date:

Driver Info

Type: Constant Current
120V: 0.42A
208V: 0.25A
240V: 0.22A
277V: 0.19A
Input Watts: 50W
Efficiency: N/A

LED Info

Watts: 50W
Color Temp: 3000K
Color Accuracy: 82 CRI
L70 Lifespan: 100000
Lumens: 3,899
Efficacy: 78 LPW

Technical Specifications

Listings

UL Listing:

Suitable for damp locations

IESNA LM-79 & LM-80 Testing:

RAB LED luminaires have been tested by an independent laboratory in accordance with IESNA LM-79 and LM-80, and have received the Department of Energy "Lighting Facts" label.

Electrical

Driver:

Constant Current, Class 2, 4-channel driver with 0-10V dimming, 450mA, 120-277VAC 0.55A, Power Factor >92%

Dimming Driver:

Driver includes dimming control for 0-10V dimming systems. Requires separate 0-10V DC dimming circuit. Dims as low as 5%.

THD:

10.4% at 120V, 14.4% at 277V

Construction

Lens:

Nominal .125" thick prismatic acrylic lens with diffusion for enhanced optical performance

IC Rating:

Suitable for insulated ceilings

Housing:

Die-formed 22 gauge, cold-rolled steel

Installation:

Standard integral earthquake and NEC T-bar clips secure the fixture to T-bars and prevent T-system separation. For recessed mounting kit see

Finish:

High-reflectance (91%) powder coat applied post production for a more durable finish

Green Technology:

Mercury and UV free. RoHS compliant components. Polyester powder coat finish formulated without the use of VOC or toxic heavy metals.

LED Characteristics

LEDs:

Long-life, high-efficiency, micro-power, surface mount LEDs; binned and mixed for uniform light output and color.

Lifespan:

100,000-hour LED lifespan based on IES LM-80 results and TM-21 calculations.

Color Stability:

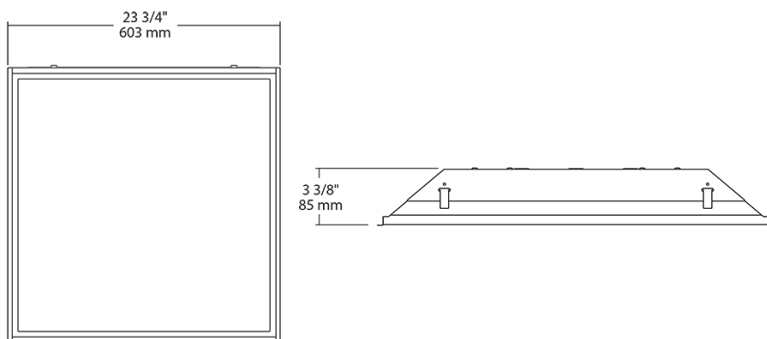
LED Color temperature is warranted to shift no more than 200K in CCT over a 5 year period.

Other

California Title 24:

TRLED2X2-50Y/D10 complies with 2013 California Title 24 building and electrical codes as a commercial indoor fixture for general spaces when used with a vacancy sensor and 0-10V dimming control. Select a vacancy sensor using catalog number LVS800. 0-10V dimmer provided by others.

Dimensions



Features

- High efficiency, low maintenance alternative to fluorescent
- Prismatic lens with diffusion for enhanced optical performance
- 0-10V dimming standard on all models
- Optional recessed mounting kit available
- 100,000-hour LED lifespan
- 5-Year warranty

TRLED2X2-50Y/D10

Ordering Matrix

| Family | Size | Watts | Color Temp | Dimming |
|--------|---------------|----------------------|--|-----------------|
| TRLED | 2X2 = 2' x 2' | 37 = 37W 50 = 50W | Y = 3000K (Warm) YN = 3500K (Warm Neutral) N = 4000K (Neutral) | /D10 = Dimmable |

TRLED2X2-50YN/D10



LED performance in an economical 2x2 troffer.

Color: White

Weight: 9.5 lbs

Project:

Type:

Prepared By:

Date:

Driver Info

| | |
|--------------|------------------|
| Type: | Constant Current |
| 120V: | 0.42A |
| 208V: | 0.25A |
| 240V: | 0.22A |
| 277V: | 0.19A |
| Input Watts: | 51W |
| Efficiency: | 98% |

LED Info

| | |
|-----------------|--------|
| Watts: | 50W |
| Color Temp: | 3500K |
| Color Accuracy: | 84 CRI |
| L70 Lifespan: | 100000 |
| Lumens: | 4,210 |
| Efficacy: | 82 LPW |

Technical Specifications

Listings

UL Listing:

Suitable for damp locations

IESNA LM-79 & LM-80 Testing:

RAB LED luminaires have been tested by an independent laboratory in accordance with IESNA LM-79 and LM-80, and have received the Department of Energy "Lighting Facts" label.

Electrical

Driver:

Constant Current, Class 2, 4-channel driver with 0-10V dimming, 450mA, 120-277VAC 0.55A, Power Factor >92%

Dimming Driver:

Driver includes dimming control for 0-10V dimming systems. Requires separate 0-10V DC dimming circuit. Dims as low as 5%.

THD:

10.9% at 120V, 14.4% at 277V

Construction

Lens:

Nominal .125" thick prismatic acrylic lens with diffusion for enhanced optical performance

IC Rating:

Suitable for insulated ceilings

Housing:

Die-formed 22 gauge, cold-rolled steel

Installation:

Standard integral earthquake and NEC T-bar clips secure the fixture to T-bars and prevent T-system separation. For recessed mounting kit see

Finish:

High-reflectance (91%) powder coat applied post production for a more durable finish

Green Technology:

Mercury and UV free. RoHS compliant components. Polyester powder coat finish formulated without the use of VOC or toxic heavy metals.

LED Characteristics

LEDs:

Long-life, high-efficiency, micro-power, surface mount LEDs; binned and mixed for uniform light output and color.

Lifespan:

100,000-hour LED lifespan based on IES LM-80 results and TM-21 calculations.

Color Stability:

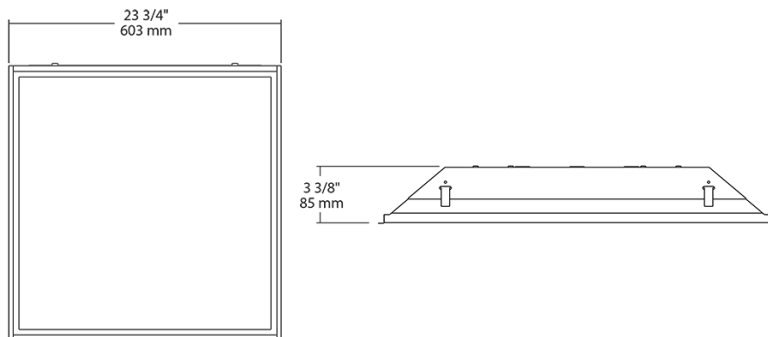
LED Color temperature is warranted to shift no more than 200K in CCT over a 5 year period.

Other

California Title 24:

TRLED2X2-50YN/D10 complies with 2013 California Title 24 building and electrical codes as a commercial indoor fixture for general spaces when used with a vacancy sensor and 0-10V dimming control. Select a vacancy sensor using catalog number LVS800. 0-10V dimmer provided by others.

Dimensions



Features

- High efficiency, low maintenance alternative to fluorescent
- Prismatic lens with diffusion for enhanced optical performance
- 0-10V dimming standard on all models
- Optional recessed mounting kit available
- 100,000-hour LED lifespan
- 5-Year warranty

TRLED2X2-50YN/D10

Ordering Matrix

| Family | Size | Watts | Color Temp | Dimming |
|--------|---------------|----------------------|--|-----------------|
| TRLED | 2X2 = 2' x 2' | 37 = 37W 50 = 50W | Y = 3000K (Warm) YN = 3500K (Warm Neutral) N = 4000K (Neutral) | /D10 = Dimmable |