

WP2LED INSTALLATION INSTRUCTIONS



IMPORTANT

READ CAREFULLY BEFORE INSTALLING FIXTURE. RETAIN THESE INSTRUCTIONS FOR FUTURE REFERENCE.

Fixtures must be wired in accordance with the National Electrical Code and all applicable local codes. Proper grounding is required for safety. THIS PRODUCT MUST BE INSTALLED IN ACCORDANCE WITH THE APPLICABLE INSTALLATION CODE BY A PERSON FAMILIAR WITH THE CONSTRUCTION AND OPERATION OF THE PRODUCT AND THE HAZARDS INVOLVED.

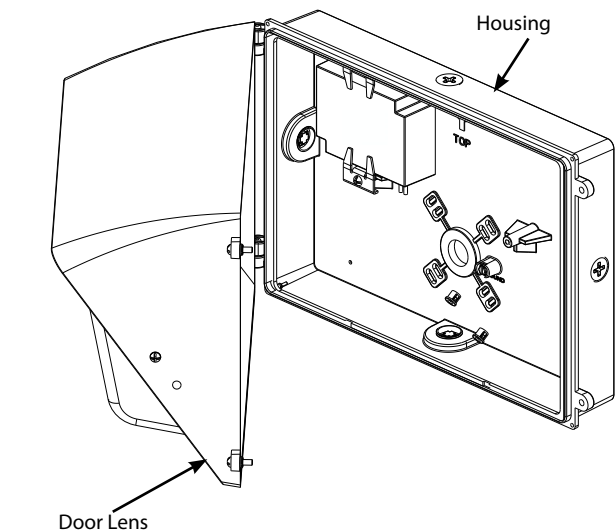
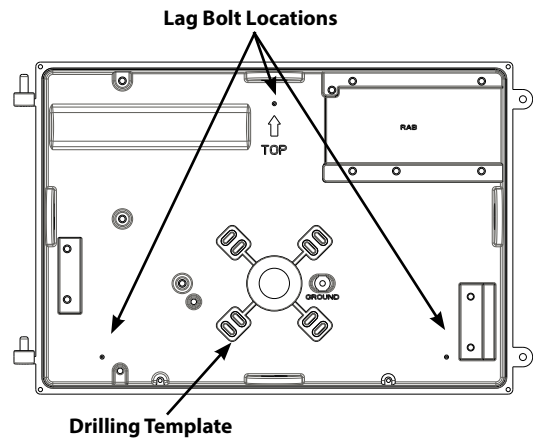
WARNING: Make certain power is OFF before installing or maintaining fixture.

CAUTION: FOR PROPER WEATHERPROOF FUNCTION ALL GASKETS MUST BE SEATED PROPERLY AND ALL SCREWS INSERTED AND TIGHTENED FIRMLY. APPLY WEATHERPROOF SILICONE SEALANT AROUND THE EDGE OF THE WALL BOX. THIS IS ESPECIALLY IMPORTANT WITH AN UNEVEN WALL SURFACE. SILICONE ALL PLUGS AND UNUSED CONDUIT ENTRIES.

MOUNTING

Fixture should not be recessed. Housing must be mounted on wall with lens facing down as shown above. Use the **Drilling Template** on the inside back surface of the housing to match most standard junction boxes or lag bolt housing to surface as shown in Fig.

1. Open door by loosening (2) screws.
2. Prepare the housing for use by drilling out the appropriate holes.
3. Line up the housing in desired location and mount securely.
4. Complete the wiring to the supply wires and ground (see wiring instructions).
5. Close door and tighten the two screws.

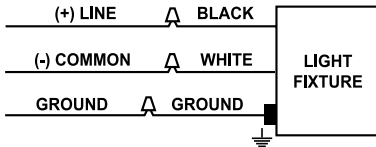


WP2LED INSTALLATION INSTRUCTIONS

ON-OFF WIRING

Universal voltage driver permits operation at 120V to 277VAC, 50 or 60 Hz except fixtures factory ordered with a 120V swivel photocell (/PCS) or 277V swivel photocell (/PCS2) or 480V swivel photocell (/PCS4). Units ordered with (/480V) suffix are 480V.

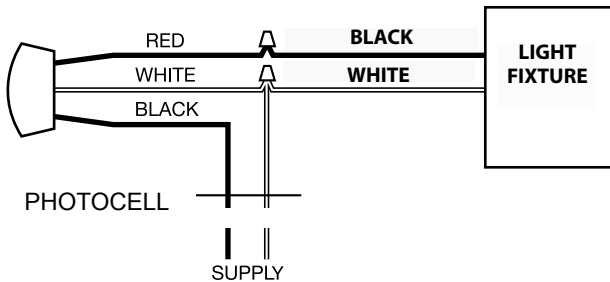
1. Connect the BLACK fixture lead to the (+) LINE supply lead.
2. Connect the WHITE fixture lead to the (-) COMMON supply lead.
3. Connect the bare copper Ground wire from fixture to supply ground.



PHOTOCELL INSTALLATION

Photocell may be installed in the field. Apply weatherproof silicone sealant to all plugs, around photocell and unused conduit entries.

1. Remove close up plug on top of the wall mounting box.
2. Install photocell and wire as per diagram.
3. Use photocell rated for your supply voltage.



TROUBLESHOOTING

1. Check that the line voltage at the fixture is correct. Refer to wiring directions.
2. Is the fixture grounded properly?
3. Be sure the photocell, if used, is functioning properly.

CLEANING & MAINTENANCE

CAUTION: Be sure fixture temperature is cool enough to touch. Do not clean or maintain while fixture is energized.

1. Clean glass lens with non-abrasive glass cleaning solution.
2. Do not open the fixture to clean the LED. Do not touch the LED.

ACCESSORIES

Wire Guard:	GDWP2W
Poly Shield:	GDWP2P

Note: These instructions do not cover all details or variations in equipment nor do they provide for every possible situation during installation, operation or maintenance.