

MDLED™ INSTALLATION INSTRUCTIONS

ON-OFF WIRING

Universal voltage driver permits operation at 120V thru 277V, 50 or 60 Hz. For Non-Dimming, follow the wiring directions as in fig. 2.

1. Connect the black fixture lead to the (+) LINE supply lead.
2. Connect the white fixture lead to the (-) COMMON supply lead.
3. Connect the GROUND wire from fixture to supply ground.

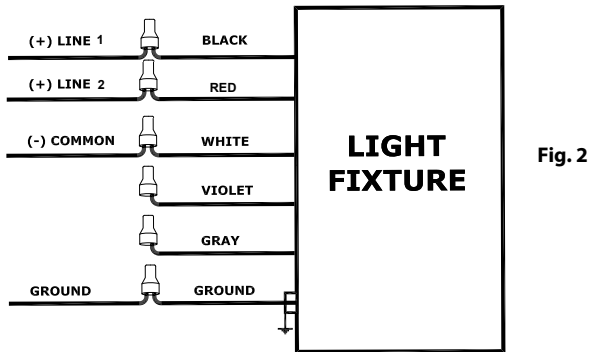


Fig. 2

DIMMABLE WIRING

Universal voltage driver permits operation at 120V thru 277V, 50 or 60 Hz. For dimmable drivers follow the wiring directions as in fig. 3.

1. Connect the GROUND wire from fixture to supply ground.
2. Connect the black fixture lead to the (+) LINE supply lead. For 2x, 3x and 4x units, Red and Black are two (+) lines provided.
3. Connect the white fixture lead to the (-) COMMON supply lead.
4. Connect the purple fixture lead to the (V+) DIM lead.
5. Connect the gray fixture lead to the (V-) DIM lead.

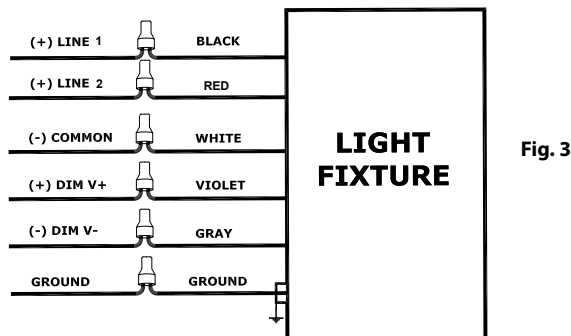


Fig. 3

Note: These instructions do not cover all details or variations in equipment nor do they provide for every possible situation during installation, operation or maintenance.

CLEANING & MAINTENANCE

CAUTION: Be sure fixture temperature is cool enough to touch. Do not clean or maintain while fixture is energized.

1. Do not touch or clean the LED. Do not leave LEDs uncovered.
2. Do not clean any fixture surface with wood base cleaning material such as paper towels or tissues.

TROUBLESHOOTING

1. Check that the line voltage at the fixture is correct. Refer to wiring directions.
2. Is the fixture grounded properly?

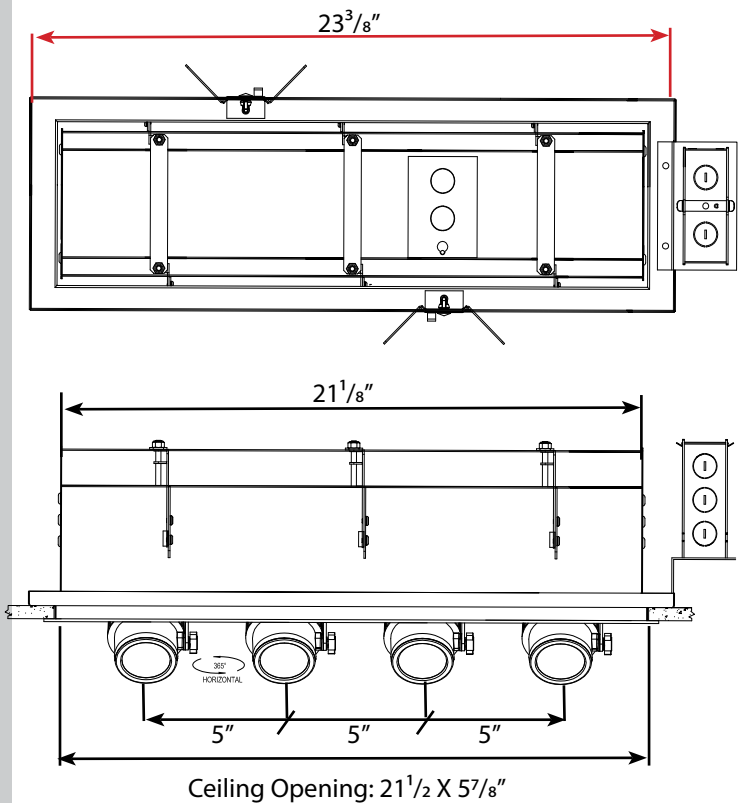
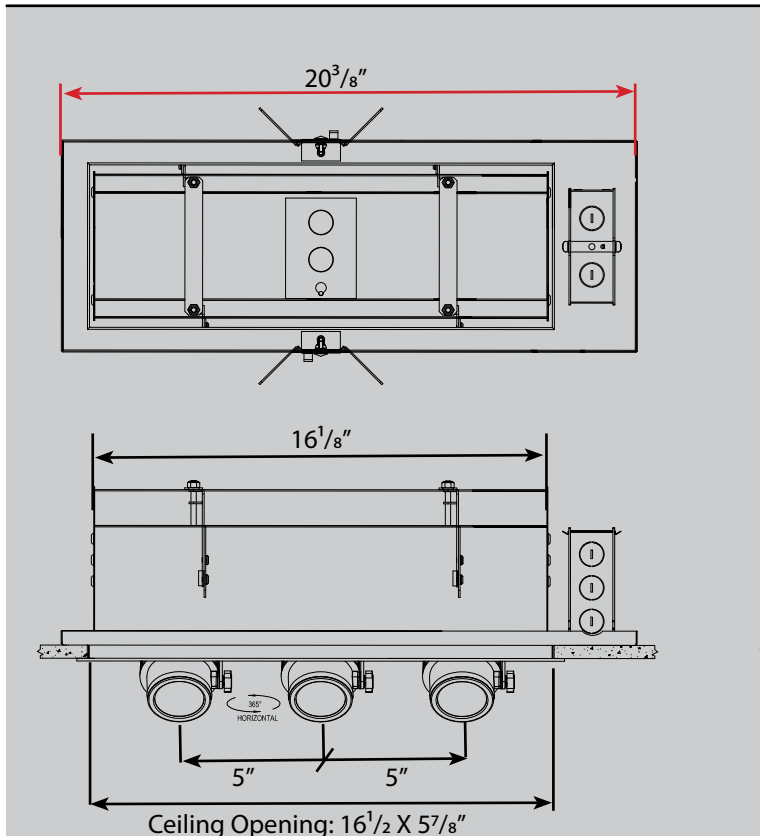
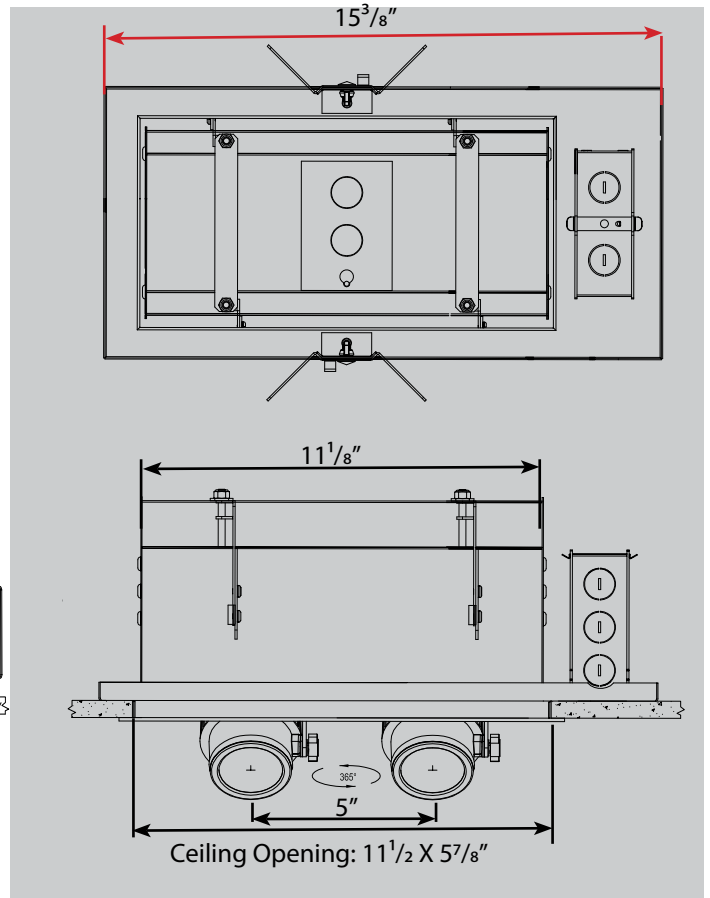
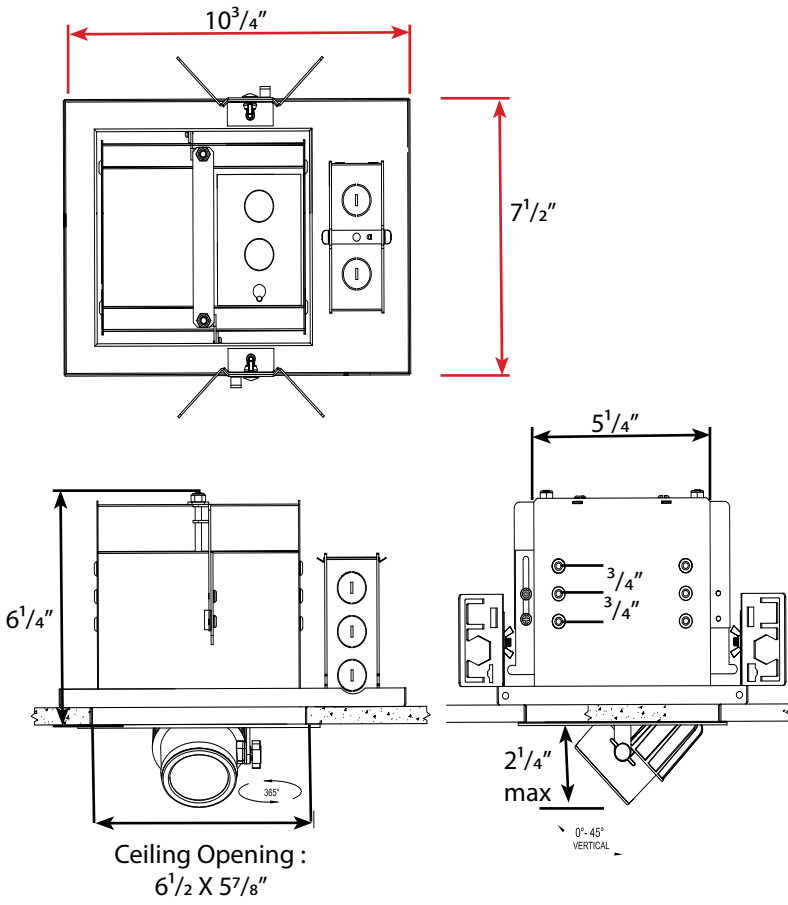
ACCESSORIES

All accessories available in Black and White colors

SNOOT1*	1½" Door with 20° Lens
SNOOT2*	2½" Door with 20° Lens
BEZMDLED20	Door Reflector kit with 20° Lens
BEZMDLED30	Door Reflector kit with 30° Lens
BEZMDLED40	Door Reflector kit with 40° Lens

* Note: White Snoot is provided with black insert for glare reduction.

MDLED™ INSTALLATION INSTRUCTIONS



MIDLED™

LED MULTI-HEAD RECESSED

Gel installation directions



This is how you install a color lens gel on an MDLED™

1. Pull the bezel out of the head of the fixture and set head aside.



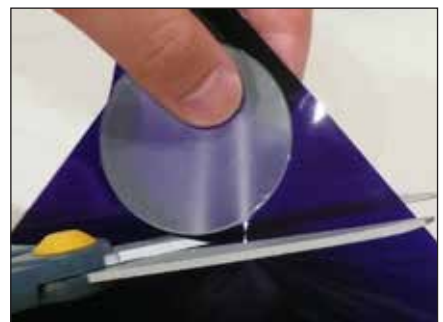
2. Pry spring ring from inside of bezel with a screwdriver and set aside.



3. Remove reflector and lens from bezel and set aside.



4. Place lens on gel sheet and use lens as template to cut color gel filter to proper size. Trim off any excess material.



5. While holding bezel, insert cut gel filter first. Then insert lens on top of gel making sure the shiny side of the lens is facing down (matte side should be facing up).



6. Drop reflector back into bezel.



7. Place spring ring back inside the bezel.
IMPORTANT: Make sure spring ring snaps into lower/bottom groove of the inside of the bezel.



8. Once spring ring is on lower/bottom groove, snap bezel back into the head of the fixture.



Before



After

