

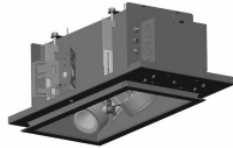
MDLED™ INSTALLATION INSTRUCTIONS



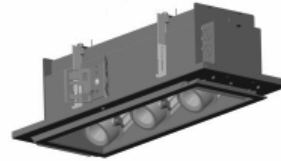
Thank you for buying RAB lighting fixtures. Our goal is to design the best quality products to get the job done right. We'd like to hear your comments. Call the Marketing Department at 888-RAB-1000 or email: marketing@rabweb.com



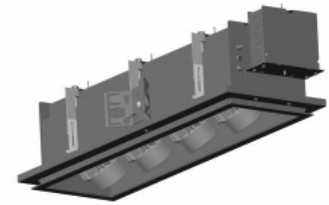
MDLED1X
Ceiling Opening :
6 1/2 X 5 7/8"



MDLED2X
Ceiling Opening :
11 1/2 X 5 7/8"



MDLED3X
Ceiling Opening :
16 1/2 X 5 7/8"



MDLED4X
Ceiling Opening:
21 1/2 X 5 7/8"

IMPORTANT

READ CAREFULLY BEFORE INSTALLING FIXTURE. RETAIN THESE INSTRUCTIONS FOR FUTURE REFERENCE.

RAB fixtures must be wired in accordance with the National Electrical Code and all applicable local codes. Proper grounding is required for safety. THIS PRODUCT MUST BE INSTALLED IN ACCORDANCE WITH THE APPLICABLE INSTALLATION CODE BY A PERSON FAMILIAR WITH THE CONSTRUCTION AND OPERATION OF THE PRODUCT AND THE HAZARDS INVOLVED.

WARNING: Make certain power is OFF before installing or maintaining fixture. No user serviceable parts inside.

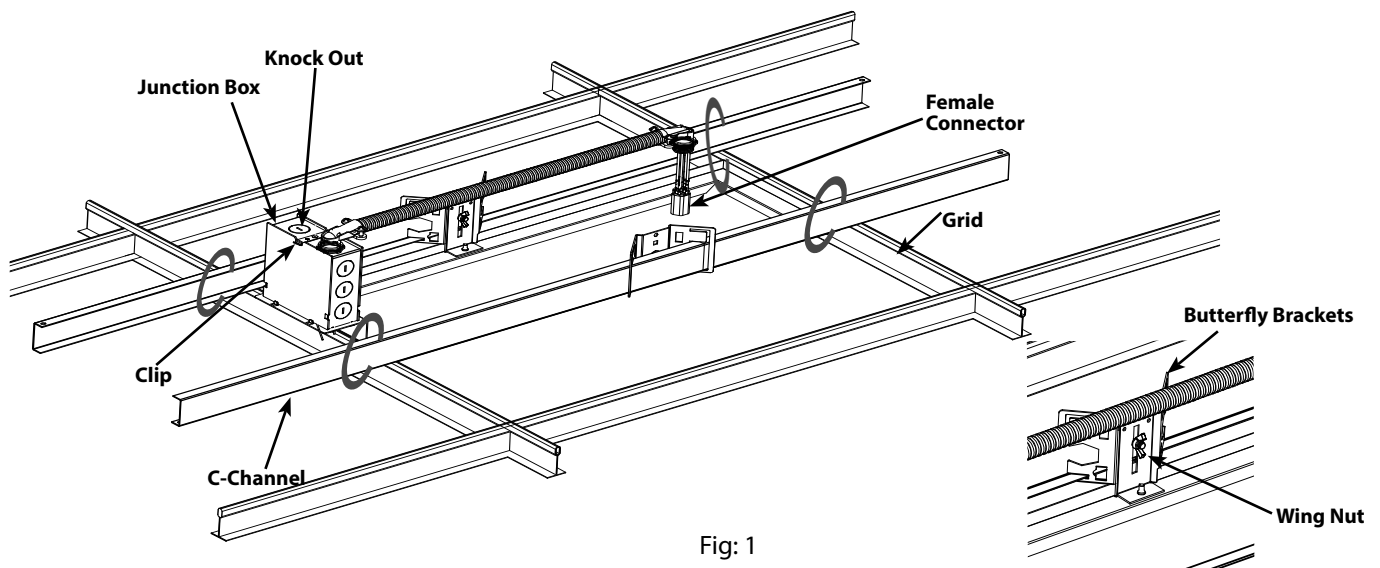


Fig: 1

FRAME MOUNTING

For New Construction, mount the Frame before mounting the Housing. This fixture can be installed with ceiling temperature not exceeding 40°C and with minimum plenum height of 7 1/2".

1. Prepare the mounting surface with appropriate cut out dimension for your unit. Cut-out must be accurate not undersized or oversized.
2. Insert through **C-Channels** (sold separately) or other bar stock, in **Butterfly Brackets** and secure accordingly. Consult local building codes for final support of fixture.
3. Position the frame on C-Channel and secure C-Channel to the Grid as shown in Fig 1.
4. Remove appropriate **Knock out** on Junction box. Press **Clip** to open the **Junction Box**.
5. Feed the supply wires through **Knock out** hole and connect to the fixture wire. See wiring section for details.
6. For different ceiling thickness, loosen the **Wing Nut** and slide the **Butterfly Bracket**. If necessary remove the **Wing Nut**, insert and screw in different hole provided on the **Butterfly Bracket** (Fig:1). Adjust so that the **Frame** is flush with the finished ceiling surface. Tighten the **Wing nuts**.

MDLED™ INSTALLATION INSTRUCTIONS



Thank you for buying RAB lighting fixtures. Our goal is to design the best quality products to get the job done right. We'd like to hear your comments. Call the Marketing Department at 888-RAB-1000 or email: marketing@rabweb.com

HOUSING MOUNTING - NEW CONSTRUCTION

1. For New Construction Units, orient the **Housing** in the **Frame** such that the **Splice Plate** is closer to connector.
2. Feed connector from Frame through splice plate. Provided **Female connector** not used in this assembly.
3. Adjust the length of **Mounting Flag** of Housing by positioning the **Flag Screw** such that **Housing** is close to ceiling surface. If necessary, remove part of flag. (Fig 2)
4. To secure fixture into ceiling, tighten the **Long Flag Screw** from inside the **Housing**. **Mounting Flag** should be snug tight against ceiling. **DO NOT OVERTIGHTEN SCREWS.**

HOUSING MOUNTING - REMODELER

1. For the Remodeler units, prepare the mounting surface with Cut-off dimensions.

MDLED1X	Cut-Out : 6 ¹ / ₂ X 5 ⁷ / ₈ "
MDLED2X	Cut-Out: 11 ¹ / ₂ X 5 ⁷ / ₈ "
MDLED3X	Cut-Out: 16 ¹ / ₂ X 5 ⁷ / ₈ "
MDLED4X	Cut-Out: 21 ¹ / ₂ X 5 ⁷ / ₈ "

2. The Female Splice is provided separately. Connect the Supply Wires to the provided splice. Use connectors per Local code.
3. To secure Housing follow steps 3-4 in New Construction section above.

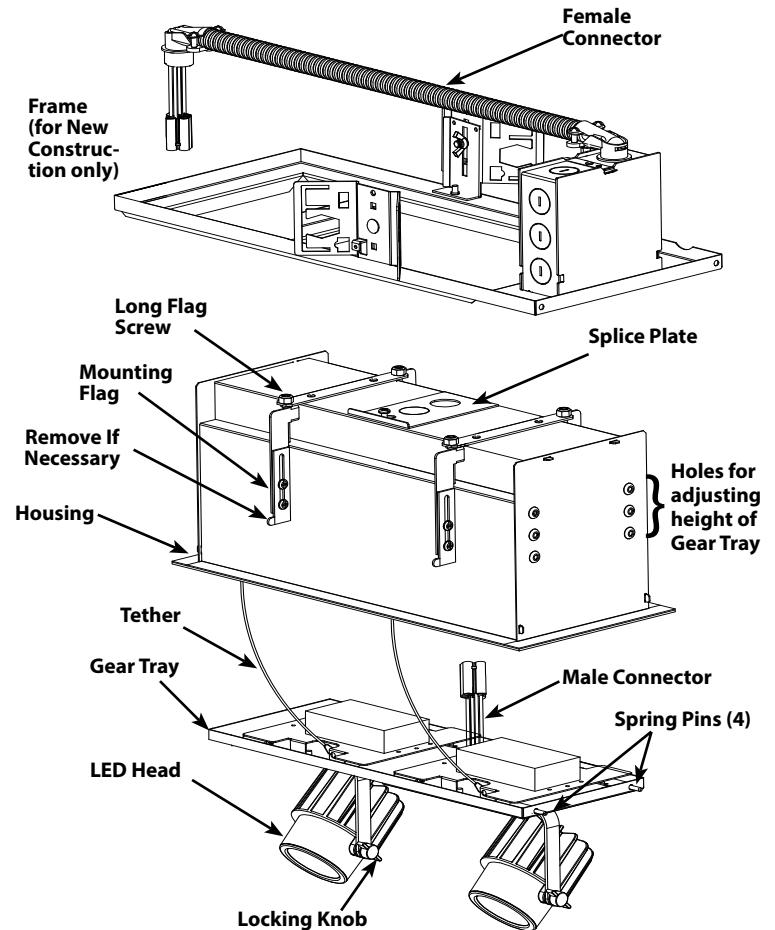


Fig 2

GEAR TRAY MOUNTING

1. Orient the **Gear Tray** such that the **Male connector** on **Gear Tray** is close to **Splice Plate**.
2. Connect the tether(s) from the **Rough-in** to the **Gear Tray** for Hands Free mounting.
3. Pull **Female Connector** conduit through Rough-in opening. Raise **Gear Tray** towards opening and connect to **Male Connector** conduit.
4. Press **Spring Pins** inward and slide **Gear Tray** into holes on **Rough-in** one side at a time.
5. There are three possible hole positions for the **Gear Tray** with reference to **Ceiling surface**.
6. To secure the **Gear Tray** ensure the **Spring Pins** are fully engaged into the end plate holes.
7. To adjust LED Head, loosen the **Locking Knob** by rotating. Orient the **LED Head** at desired angle and tighten the **Locking Knob**.

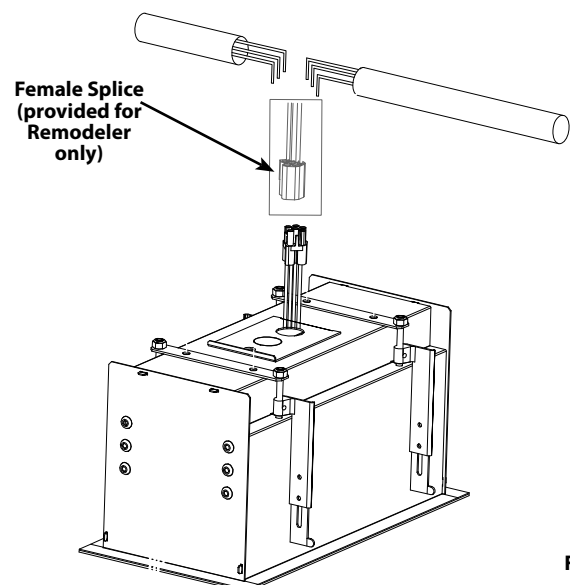


Fig 3

MDLED™ INSTALLATION INSTRUCTIONS



Thank you for buying RAB lighting fixtures. Our goal is to design the best quality products to get the job done right. We'd like to hear your comments. Call the Marketing Department at 888-RAB-1000 or email: marketing@rabweb.com

ON-OFF WIRING

Universal voltage driver permits operation at 120V thru 277V, 50 or 60 Hz.

1. 2x, 3x and 4x fixtures can be separately switched. The black and red fixture leads are for two separately switched circuits. Connect the black fixture lead to (+) LINE 1 supply lead and red fixture lead to (+) LINE 2 supply lead. Follow wiring diagram as in fig. 4.
2. For single circuit operation, black and red wires can be connected together. Follow wiring diagram as in fig. 5.
3. Connect the white fixture lead to the (-) COMMON supply lead.
4. Connect the GROUND wire from fixture to supply ground.

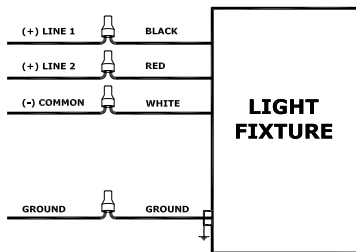


Fig. 4

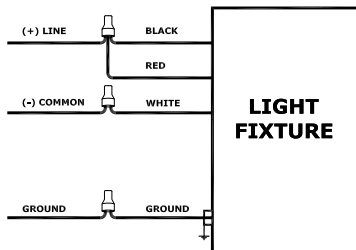


Fig. 5

TROUBLESHOOTING

1. Check that the line voltage at the fixture is correct. Refer to wiring directions.
2. Is the fixture grounded properly?

CLEANING & MAINTENANCE

CAUTION: Be sure fixture temperature is cool enough to touch. Do not clean or maintain while fixture is energized.

1. Do not touch or clean the LED. Do not leave LEDs uncovered.
2. Do not clean any fixture surface with wood base cleaning material such as paper towels or tissues.

Note: These instructions do not cover all details or variations in equipment nor do they provide for every possible situation during installation, operation or maintenance.



Easy Installation & Product Help

Tech Help Line
Call our experts 888 RAB-1000

rabweb.com
Visit our website for product info

email
Answered promptly sales@rabweb.com

DIMMABLE WIRING

Universal voltage driver permits operation at 120V thru 277V, 50 or 60 Hz.

1. 2x, 3x and 4x fixtures can be separately switched. The black and red fixture leads are for two separately switched circuits. Connect the black fixture lead to (+) LINE 1 supply lead and red fixture lead to (+) LINE 2 supply lead. Follow wiring diagram as in fig. 6.
2. For single circuit operation, black and red wires can be connected together. Follow wiring diagram as in fig. 7.
3. Connect the white fixture lead to the (-) COMMON supply lead.
4. Connect the GROUND wire from fixture to supply ground.
5. Connect the purple fixture lead to the (V+) DIM lead.
CAUTION - Low Voltage Input - 0-10V Max
6. Connect the gray fixture lead to the (V-) DIM lead.
CAUTION - Low Voltage Input - 0-10V Max

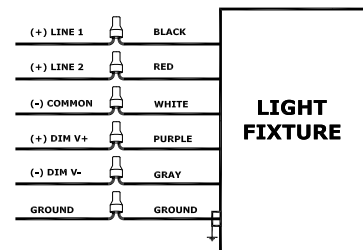


Fig. 6

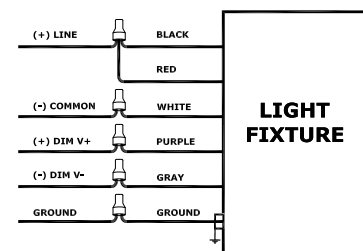


Fig. 7

ACCESSORIES

All accessories available in Black and White colors

SNOOT1*	1½" Door with 20° Lens
SNOOT2*	2½" Door with 20° Lens
BEZMDLED20	Door Reflector kit with 20° Lens
BEZMDLED30	Door Reflector kit with 30° Lens
BEZMDLED40	Door Reflector kit with 40° Lens

* Note: White Snoot is provided with black insert for glare reduction.

MDLED™ INSTALLATION INSTRUCTIONS



Thank you for buying RAB lighting fixtures. Our goal is to design the best quality products to get the job done right. We'd like to hear your comments. Call the Marketing Department at 888-RAB-1000 or email: marketing@rabweb.com

