

# WPLED80



LED 80W Wallpacks. 3 cutoff options. Patent Pending thermal management system. 100,000 hour L70 lifespan. 5 Year Warranty.

Color: Bronze

Weight: 17.6 lbs

Project:

Type:

Prepared By:

Date:

## Driver Info

|              |                  |
|--------------|------------------|
| Type:        | Constant Current |
| 120V:        | 0.71A            |
| 208V:        | 0.41A            |
| 240V:        | 0.36A            |
| 277V:        | 0.31A            |
| Input Watts: | 81W              |
| Efficiency:  | 99%              |

## LED Info

|                 |         |
|-----------------|---------|
| Watts:          | 80W     |
| Color Temp:     | 5000K   |
| Color Accuracy: | 67 CRI  |
| L70 Lifespan:   | 100000  |
| Lumens:         | 8,114   |
| Efficacy:       | 100 LPW |

## Technical Specifications

### Listings

#### UL Listing:

Suitable for Wet Locations as Uplight and Downlight Wall Mount Only.

#### IESNA LM-79 & LM-80 Testing:

RAB LED Luminaires have been tested by an independent laboratory in accordance with IESNA LM-79 and LM-80, and have received the Department of Energy "Lighting Facts" label.

#### DLC Listed:

This product is on the Design Lights Consortium (DLC) Qualified Products List and is eligible for rebates from DLC Member Utilities.  
DLC Product Code: P71JDPX6

### LED Characteristics

#### LEDs:

Two (2) multi-chip, high-output, long-life LEDs.

#### Lifespan:

100,000-hour LED lifespan based on IES LM-80 results and TM-21 calculations.

#### Color Consistency:

7-step MacAdam Ellipse binning to achieve consistent fixture-to-fixture color.

#### Color Stability:

LED color temperature is warrantied to shift no more than 200K in CCT over a 5 year period.

#### Color Uniformity:

RAB's range of CCT (Correlated Color Temperature) follows the guidelines of the American National Standard for Specifications for the Chromaticity of Solid State Lighting (SSL) Products, ANSI C78.377.2011.

### Electrical

#### Driver:

Constant Current, Class 2, 2000mA, 100-277V, 50-60Hz, 1.1A, Power Factor 99%

#### THD:

4.3% at 120V, 12.4% at 277V

#### Surge Protection:

4kV

#### Construction

##### Cold Weather Starting:

Minimum starting temperature is -40°F / -40°C

##### Ambient Temperature:

Suitable for use in 40°C (104°F) ambient temperatures

##### Thermal Management:

Superior thermal management with external Air-Flow fins.

#### Housing:

Precision die cast aluminum housing, lens frame.

#### Mounting:

Die-cast aluminum wall bracket with (5) 1/2" conduit openings with plugs. Two-piece bracket with tether for ease of installation and wiring.

#### Arm:

Die-cast aluminum with wiring access plate.

#### Cutoff:

Standard (15°)

#### Lens:

Tempered glass.

#### Reflector:

Specular vacuum metallized polycarbonate.

#### Gaskets:

High-temperature silicone gaskets, including a wiring plug gasket, seal out moisture.

#### Finish:

Our environmentally friendly polyester powder coatings are formulated for high-durability and long-lasting color, and contains no VOC or toxic heavy metals.

#### Green Technology:

Mercury and UV free. RoHS compliant components. Polyester powder coat finish formulated without the use of VOC or toxic heavy metals.

#### IP Rating:

Ingress Protection rating of IP66 for dust and water.

### Optical

#### Replacement:

WPLED80 replaces up to 400W MH.

#### BUG Rating:

B1 U2 G3

# WPLED80

## Technical Specifications (continued)

### Other

#### California Title 24:

WPLED80/PCS complies with 2013 California Title 24 building and electrical codes as a commercial outdoor pole-mounted fixture > 30 Watts mounted at height greater than 24 feet. For mounting heights < 24 feet see WPLED52/BL with bi-level operation; additional component requirements will be listed in the Title 24 section under technical specifications on the product page.

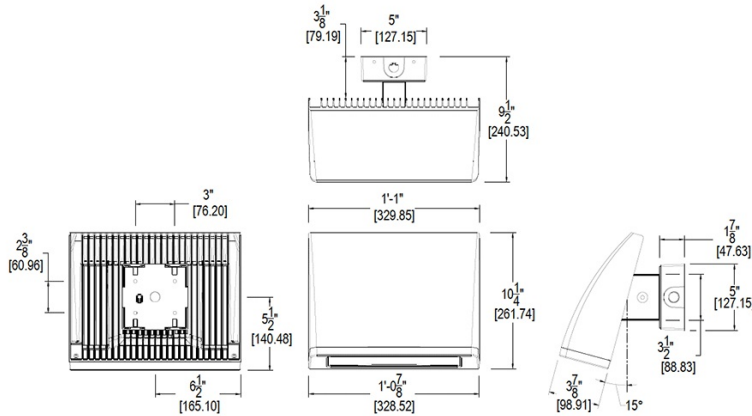
### Patents:

The WPLED design is protected by patents in the U.S. Pat D653,377, Canada Pat. 142252, China Pat. ZL201130356930.8, and Mexico Pat. 36921 and pending patent in TW.

### Warranty:

RAB warrants that our LED products will be free from defects in materials and workmanship for a period of five (5) years from the date of delivery to the end user, including coverage of light output, color stability, driver performance and fixture finish.

## Dimensions



## Features

- High performance LED light engine
- Maintains 70% of initial lumens at 100,000 hours
- Weatherproof high temperature silicone gaskets
- Superior heat sinking with die cast aluminum housing and external fins
- Traditional wallpack look from the front
- 3 cutoff options
- 5-year warranty

## Ordering Matrix

| Family | Cutoff  | Watts           | Color Temp   | Finish                                    | Voltage                                       | Photocell  | Dimming   | Bi-Level  |
|--------|---|-----------------|--|---|---|--|---|---|
| WPLED  |   |                 |  |   |   |  |   |   |
|        | <b>Blank</b> = Standard<br><b>C</b> = Cutoff<br><b>FC</b> = Full Cutoff | <b>80</b> = 80W | <b>Blank</b> = 5000K (Cool)<br><b>Y</b> = 3000K (Warm)<br><b>N</b> = 4000K (Neutral) | <b>Blank</b> = Bronze<br><b>W</b> = White | <b>Blank</b> = 120-277V<br><b>/480</b> = 480V | <b>Blank</b> = No Photocell<br><b>/PCS</b> = 120V Swivel<br><b>/PCS2</b> = 277V Swivel<br><b>/PCS4</b> = 480V Swivel | <b>Blank</b> = No Dimming<br><b>/D10</b> = Dimmable | <b>Blank</b> = No Bi-Level<br><b>/BL</b> = Bi-Level |