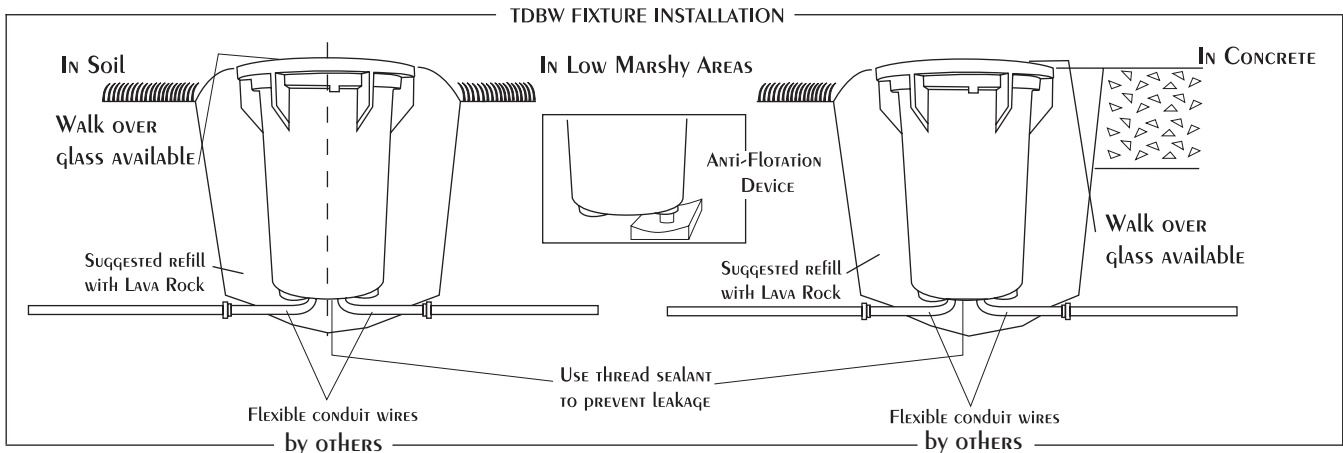


TDB2W - TDB3W - TDB4W - INSTALLATION INSTRUCTIONS

- ⦿ **Read THESE INSTRUCTIONS carefully before installing the unit. Failure to follow these INSTRUCTIONS will VOID WARRANTY!**
- ⦿ **This product must be installed per LOCAL, STATE, and NATIONAL ELECTRICAL CODES. Failure to adhere to these CODES and INSTALLATION INSTRUCTIONS may result in serious injury, and/or damage to the fixture, and will void WARRANTY.**

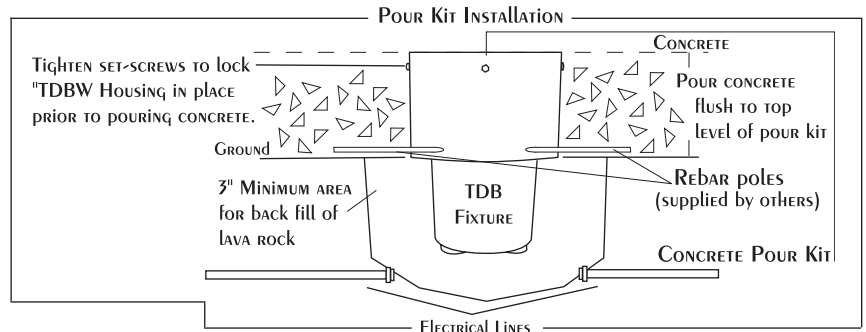
Housing Instructions:

1. EXCAVATE HOLE FOR fixture placement and conduit runs. PLEASE CONTOUR THE HOLE TO THE SHAPE OF THE fixture HOUSING, ALLOWING 3" MINIMUM FOR back fill. INSTALL conduit fittings using TEFLON TAPE OR OTHER THREAD SEALANT and pull supply conductors INTO THE junction box.
2. INSTALL TDBW Housing PER appropriate figure below. FOR CONCRETE INSTALLATION SEE POUR KIT ACCESSORY INSTALLATION below.
3. BACK fill hole with LAVA ROCK MATERIAL and soil for stability and heat dissipation. FAILURE TO do so MAY CAUSE fixture TO OVERHEAT and will void WARRANTY. DO NOT back fill with BARK, VERMICULITE, OR SAND.



CONCRETE POUR KIT ACCESSORY INSTALLATION:

1. EXCAVATE HOLE FOR fixture placement and conduit runs. PLEASE CONTOUR THE HOLE TO THE SHAPE OF THE fixture HOUSING, ALLOWING 3" MINIMUM FOR back fill. INSTALL conduit fittings using TEFLON TAPE OR OTHER THREAD SEALANT and pull supply conductors INTO THE junction box. **NOTE: TBW Housing needs to be present for conduit fittings & concrete pour!**
2. Position pour kit flush with top level of ground.
3. INSERT REBAR in bottom holes of pour kit. **NOTE: REBAR supplied by others.**
4. INSERT TDBW Fixture INTO pour kit. TIGHTEN SET-SCREWS to lock TDBW housing in place prior to pouring concrete.
5. INSERT LAVA ROCK in back fill area around TDBW Housing.
6. POUR CONCRETE in desired area around pour kit.

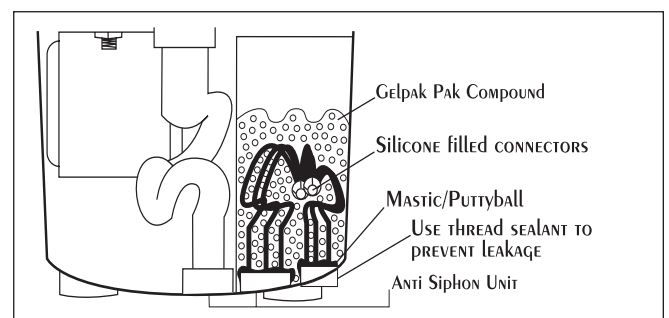


Housing Section Wiring:

1. MAKE CONNECTIONS with the silicone filled wire connectors provided and seal conduit entries from inside the junction box using the MASTIC/ putty ball provided.
2. Carefully push the connections down into the wire junction cavity. **BE SURE TO REMOVE ALL debris FROM THE junction cavity and housing.**
3. Mix potting compound per instructions (3M Gelpak) and pour into junction cavity making sure connections are fully covered by the compound. (SEE DRAWING)
4. INSTALL junction box cover and gasket with the screws provided (screws facing ballast side to be screwed last - ONCE BALLAST TRAY HAS BEEN INSERTED). BE SURE TO push the screws far enough until they fit snugly against the surface of the wire junction cover. **NOTE:**

GASKET MAY protrude FROM THE edge OF THE cover DUE TO THE pressure EXERTED by the screw. DO NOT Overtighten screws OR Use Power Drill! FAILURE TO Properly wire AND encapsulate junction box will void product WARRANTY!

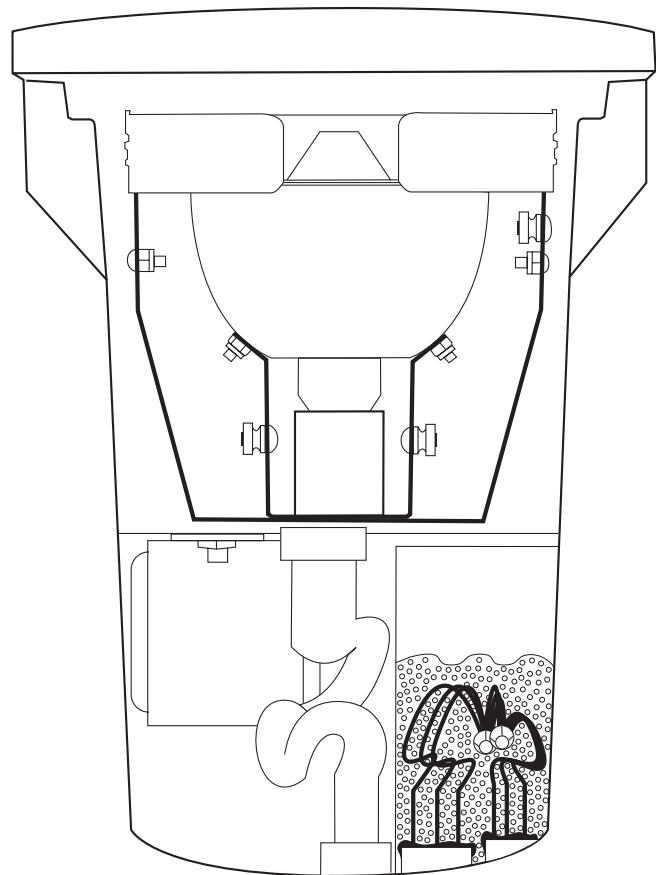
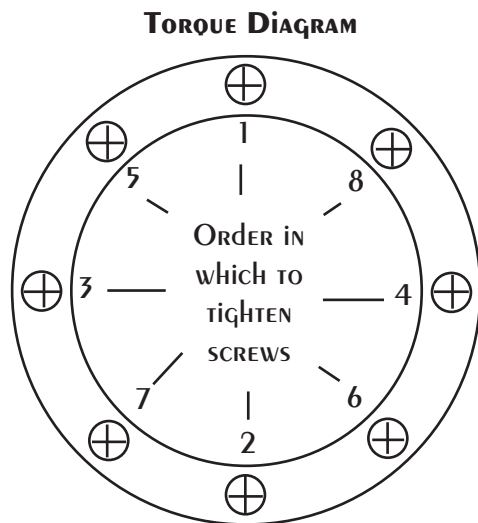
JUNCTION BOX CONNECTIONS



BALLAST TRAY & REFLECTOR ASSEMBLY SECTION:

1. HOUSING MUST BE FREE OF DIRT AND WATER! BE SURE TO VACUUM AND WIPE ANY DIRT AND MOISTURE FROM THE HOUSING PRIOR TO BALLAST INSTALLATION. **NOTE: BALLAST TRAYS ARE PRE-WIRED AT THE FACTORY (SINGLE LINE VOLTAGE) AND ARE THERMALLY PROTECTED WITH THERMAL CUT OFF SWITCHES.**
2. PLACE BALLAST TRAY IN THE BOTTOM OF THE HOUSING AND SECURE WITH THE TWO REMAINING SCREWS FROM THE JUNCTION BOX COVER.
3. CONNECT THE FOUR-PIN MALE PLUG TO THE FOUR PIN RECEPTACLE ON THE BALLAST PLATE. **NOTE: OTHER PLUG IS FOR THE REFLECTOR ASSEMBLY.**
4. CONNECT THE THREE-PIN MALE PLUG ON THE REFLECTOR ASSEMBLY TO THE THREE PIN RECEPTACLE ON THE BALLAST PLATE AND LOWER THE ASSEMBLY WITH ITS CORRECT LAMP INTO PLACE. **NOTE: REFLECTOR AIM SETTINGS CAN BE ADJUSTED PRIOR TO INSTALLATION. (SEE REFLECTOR ASSEMBLY INSTRUCTIONS)**
5. INSERT THE GLASS LENS WITH GASKET INTO POSITION ON TOP OF THE HOUSING. BE SURE GASKET SEATING SURFACE IS CLEAN AND USE THE SILICONE GASKET GREASE PROVIDED ON GASKET TO ENSURE A PROPER SEAL.
6. LOWER THE RING COVER/ GUARD ONTO THE TOP OF THE HOUSING, ROTATING THE COVER AS NECESSARY FOR MOUNTING HOLE ALIGNMENT. USING AN ALTERNATING TORQUE SEQUENCE, TIGHTEN ALL SCREWS UNTIL THE LENS FRAME SEATS AGAINST THE HOUSING (SEE TORQUE DIAGRAM). **NOTE: THE LENS FRAME MUST BE SEATED AGAINST THE HOUSING FOR PROPER SEAL!**

WARNING!!! DO NOT USE A DRILL OR POWER SCREWDRIVER. DO NOT OVERTIGHTEN SCREWS



MAINTENANCE:

ACCUMULATED DEBRIS ON TOP OF THE FIXTURE WILL CAUSE EXCESSIVE HEAT BUILD-UP RESULTING IN PREMATURE LAMP FAILURE, FIXTURE FAILURE, AND/OR FIRE.

IT IS THE RESPONSIBILITY OF THE CONTRACTOR TO:

1. ENSURE THE FIXTURE IS PROPERLY INSTALLED.
2. ENSURE THE FIXTURE IS GROUNDED IN ACCORDANCE WITH APPLICABLE LOCAL, STATE, AND NATIONAL ELECTRICAL CODES.
3. DETERMINE THAT THE CORRECT LAMP, BALLAST, AND VOLTAGE COMBINATION IS USED.
4. INSTRUCT THE OWNER IN THE REQUIRED MAINTENANCE.

⚠ FAILURE TO FOLLOW THE MANUFACTURER'S INSTRUCTIONS OR MAKING ANY MODIFICATIONS TO THE FIXTURE WILL AUTOMATICALLY VOID THE WARRANTY. FIXTURE DAMAGE RESULTING FROM POOR MAINTENANCE WILL NOT BE COVERED BY WARRANTY.