

# HSLED18A



Bullet shape die cast aluminum flood with 18 Watt LED Light Engine. Comes with spotlight reflector installed.

Color: Bronze

Weight: 4.6 lbs

**Project:**

**Type:**

**Prepared By:**

**Date:**

## Driver Info

Type:	Constant Current
120V:	0.17A
208V:	0.11A
240V:	0.10A
277V:	0.09A
Input Watts:	20W
Efficiency:	91%

## LED Info

Watts:	18W
Color Temp:	5000K
Color Accuracy:	68 CRI
L70 Lifespan:	100000
Lumens:	1,997
Efficacy:	101 LPW

## Technical Specifications

### Listings

#### UL Listing:

Suitable for wet locations. Suitable for ground mounting.

#### IESNA LM-79 & LM-80 Testing:

RAB LED luminaires have been tested by an independent laboratory in accordance with IESNA LM-79 and LM-80, and have received the Department of Energy "Lighting Facts" label.

#### DLC Listed:

This product is on the Design Lights Consortium (DLC) Qualified Products List and is eligible for rebates from DLC Member Utilities.

DLC Product Code: PHZ3TK2C1

### Electrical

#### Driver:

Constant Current, 500mA, Class 2 120-277V with 4kV surge protection, 120V: 0.17A, 208V: 0.11A, 240V: 0.10A, 277V: 0.09A, 50/60Hz THD < 20%, Power Factor: 99%

#### THD:

10.3% at 120V

### Optical

#### NEMA Type:

NEMA Beam Spread of 3H x 3V

### LED Characteristics

#### LEDs:

Multi-chip, high-output, long-life LEDs

#### Color Stability:

RAB LEDs exceed industry standards for chromatic stability.

#### Color Uniformity:

RAB's range of CCT (Correlated Color Temperature) follows the guidelines of the American National Standard for Specifications for the Chromaticity of Solid State Lighting (SSL) Products, ANSI C78.377-2011.

### Construction

#### Cold Weather Starting:

Minimum starting temperature is -40°F/-40°C

#### Thermal Management:

Superior heat sinking with external Air-Flow fins

#### Housing:

Precision die-cast aluminum housing, lens frame and mounting arm.

#### Reflector:

Semi-specular, vacuum-metalized polycarbonate

#### Mounting:

Heavy-duty mounting arm with "O" ring seal & stainless steel screws.

#### Gaskets:

High-temperature silicone gaskets

#### Finish:

Our environmentally friendly polyester powder coatings are formulated for high-durability and long-lasting color, and contain no VOC or toxic heavy metals.

#### Green Technology:

Mercury and UV free, and RoHS compliant. Polyester powder coat finish formulated without the use of VOC or toxic heavy metals.

### Other

#### California Title 24:

HSLED18 comply with 2013 California Title 24 building and electrical codes as a commercial outdoor non-pole-mounted fixture ≤ 30 Watts when used with a photosensor control. Select catalog number PCS900 (120V) or PCS1900/277 (277V) to order a photosensor.

#### Country of Origin:

Designed by RAB in New Jersey and assembled in the USA by RAB's IBEW Local 3 workers.

#### Buy American Act Compliant:

This product is a COTS item manufactured in the United States, and is compliant with the Buy American Act.

#### Recovery Act (ARRA) Compliant:

This product complies with the 52.225-21 "Required Use of American Iron, Steel, and Manufactured Goods-- Buy American Act-- Construction Materials (October 2010).

#### Trade Agreements Act Compliant:

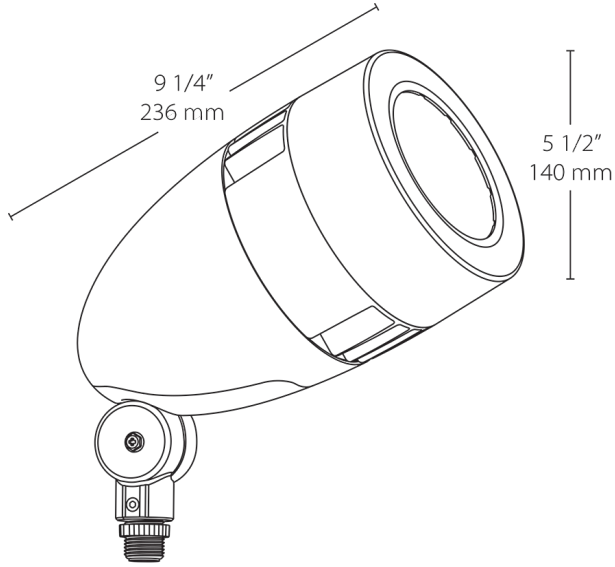
This product is a COTS item manufactured in the United States, and is compliant with the Trade Agreements Act.

#### GSA Schedule:

Suitable in accordance with FAR Subpart 25.4.

# HSLED18A

## Dimensions



## Features

- 80% energy savings vs. PAR floods
- Mount on junction box or on RAB Mighty Post
- Patent-pending Air-Flow technology
- 5-year warranty

## Ordering Matrix

Family	Watts	Finish	Dimming
HSLED	18 = 18W	A = Bronze B = Black VG = Verde Green W = White	= No Dimming /D10 = Dimmable

# HSLED18NA



Bullet shape die cast aluminum flood with 18 Watt LED Light Engine. Comes with spotlight reflector installed.

Color: Bronze

Weight: 4.6 lbs

Project:

Type:

Prepared By:

Date:

## Driver Info

Type:	Constant Current
120V:	0.17A
208V:	0.11A
240V:	0.10A
277V:	0.09A
Input Watts:	20W
Efficiency:	91%

## LED Info

Watts:	18W
Color Temp:	4000K
Color Accuracy:	82 CRI
L70 Lifespan:	100000
Lumens:	1,572
Efficacy:	79 LPW

## Technical Specifications

### Listings

#### UL Listing:

Suitable for wet locations. Suitable for ground mounting.

#### IESNA LM-79 & LM-80 Testing:

RAB LED luminaires have been tested by an independent laboratory in accordance with IESNA LM-79 and LM-80, and have received the Department of Energy "Lighting Facts" label.

#### DLC Listed:

This product is on the Design Lights Consortium (DLC) Qualified Products List and is eligible for rebates from DLC Member Utilities.

DLC Product Code: P48QM6ZYN

### Electrical

#### Driver:

Constant Current, 500mA, Class 2 120-277V with 4kV surge protection, 120V: 0.17A, 208V: 0.11A, 240V: 0.10A, 277V: 0.09A, 50/60Hz THD < 20%, Power Factor: 99%

#### THD:

10% at 120V

### Optical

#### NEMA Type:

NEMA Beam Spread of 3H x 3V

### LED Characteristics

#### LEDs:

Multi-chip, high-output, long-life LEDs

#### Color Stability:

RAB LEDs exceed industry standards for chromatic stability.

#### Color Uniformity:

RAB's range of CCT (Correlated Color Temperature) follows the guidelines of the American National Standard for Specifications for the Chromaticity of Solid State Lighting (SSL) Products, ANSI C78.377-2011.

### Construction

#### Cold Weather Starting:

Minimum starting temperature is -40°F/-40°C

#### Thermal Management:

Superior heat sinking with external Air-Flow fins

#### Housing:

Precision die-cast aluminum housing, lens frame and mounting arm.

#### Reflector:

Semi-specular, vacuum-metalized polycarbonate

#### Mounting:

Heavy-duty mounting arm with "O" ring seal & stainless steel screws.

#### Gaskets:

High-temperature silicone gaskets

#### Finish:

Our environmentally friendly polyester powder coatings are formulated for high-durability and long-lasting color, and contain no VOC or toxic heavy metals.

#### Green Technology:

Mercury and UV free, and RoHS compliant. Polyester powder coat finish formulated without the use of VOC or toxic heavy metals.

### Other

#### California Title 24:

HSLED18 comply with 2013 California Title 24 building and electrical codes as a commercial outdoor non-pole-mounted fixture ≤ 30 Watts when used with a photosensor control. Select catalog number PCS900 (120V) or PCS1900/277 (277V) to order a photosensor.

#### Country of Origin:

Designed by RAB in New Jersey and assembled in the USA by RAB's IBEW Local 3 workers.

#### Buy American Act Compliant:

This product is a COTS item manufactured in the United States, and is compliant with the Buy American Act.

#### Recovery Act (ARRA) Compliant:

This product complies with the 52.225-21 "Required Use of American Iron, Steel, and Manufactured Goods-- Buy American Act-- Construction Materials (October 2010).

#### Trade Agreements Act Compliant:

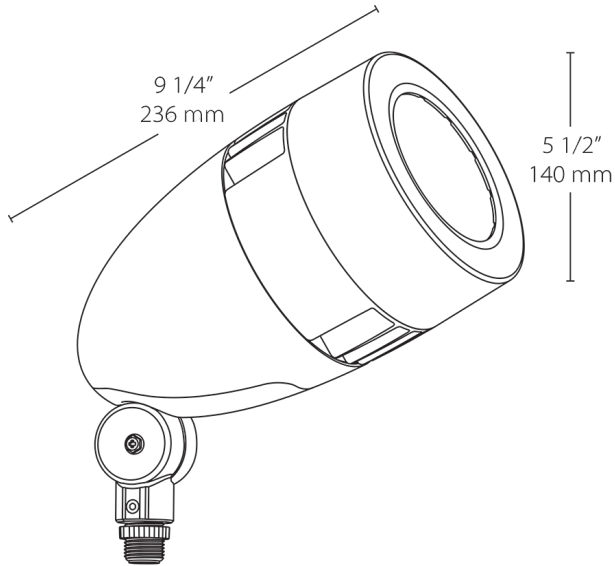
This product is a COTS item manufactured in the United States, and is compliant with the Trade Agreements Act.

#### GSA Schedule:

Suitable in accordance with FAR Subpart 25.4.

# HSLED18NA

## Dimensions



## Features

- 80% energy savings vs. PAR floods
- Mount on junction box or on RAB Mighty Post
- Patent-pending Air-Flow technology
- 5-year warranty

## Ordering Matrix

Family	Watts	Finish	Dimming
HSLED	18 = 18W	A = Bronze B = Black VG = Verde Green W = White	= No Dimming /D10 = Dimmable

# HSLED18YA



Bullet shape die cast aluminum flood with 18 Watt LED Light Engine. Comes with spotlight reflector installed.

Color: Bronze

Weight: 4.6 lbs

**Project:**

**Type:**

**Prepared By:**

**Date:**

## Driver Info

Type:	Constant Current
120V:	0.17A
208V:	0.11A
240V:	0.10A
277V:	0.09A
Input Watts:	20W
Efficiency:	92%

## LED Info

Watts:	18W
Color Temp:	3000K
Color Accuracy:	82 CRI
L70 Lifespan:	100000
Lumens:	1,560
Efficacy:	80 LPW

## Technical Specifications

### Listings

#### UL Listing:

Suitable for wet locations. Suitable for ground mounting.

#### IESNA LM-79 & LM-80 Testing:

RAB LED luminaires have been tested by an independent laboratory in accordance with IESNA LM-79 and LM-80, and have received the Department of Energy "Lighting Facts" label.

#### DLC Listed:

This product is on the Design Lights Consortium (DLC) Qualified Products List and is eligible for rebates from DLC Member Utilities.

DLC Product Code: PFQJF12S2

### Electrical

#### Driver:

Constant Current, 500mA, Class 2 120-277V with 4kV surge protection, 120V: 0.17A, 208V: 0.11A, 240V: 0.10A, 277V: 0.09A, 50/60Hz THD < 20%, Power Factor: 99%

#### THD:

10.3% at 120V

### Optical

#### NEMA Type:

NEMA Beam Spread of 3H x 3V

### LED Characteristics

#### LEDs:

Multi-chip, high-output, long-life LEDs

#### Color Stability:

RAB LEDs exceed industry standards for chromatic stability.

#### Color Uniformity:

RAB's range of CCT (Correlated Color Temperature) follows the guidelines of the American National Standard for Specifications for the Chromaticity of Solid State Lighting (SSL) Products, ANSI C78.377-2011.

### Construction

#### Cold Weather Starting:

The minimum starting temperature is -40°C/-40°F

#### Thermal Management:

Superior heat sinking with external Air-Flow fins

#### Housing:

Precision die-cast aluminum housing, lens frame and mounting arm.

#### Reflector:

Semi-specular, vacuum-metalized polycarbonate

#### Mounting:

Heavy-duty mounting arm with "O" ring seal & stainless steel screws.

#### Gaskets:

High-temperature silicone gaskets

#### Finish:

Our environmentally friendly polyester powder coatings are formulated for high-durability and long-lasting color, and contain no VOC or toxic heavy metals.

#### Green Technology:

Mercury and UV free, and RoHS compliant. Polyester powder coat finish formulated without the use of VOC or toxic heavy metals.

### Other

#### California Title 24:

HSLED18 comply with 2013 California Title 24 building and electrical codes as a commercial outdoor non-pole-mounted fixture ≤ 30 Watts when used with a photosensor control. Select catalog number PCS900 (120V) or PCS1900/277 (277V) to order a photosensor.

#### Country of Origin:

Designed by RAB in New Jersey and assembled in the USA by RAB's IBEW Local 3 workers.

#### Buy American Act Compliant:

This product is a COTS item manufactured in the United States, and is compliant with the Buy American Act.

#### Recovery Act (ARRA) Compliant:

This product complies with the 52.225-21 "Required Use of American Iron, Steel, and Manufactured Goods-- Buy American Act-- Construction Materials (October 2010).

#### Trade Agreements Act Compliant:

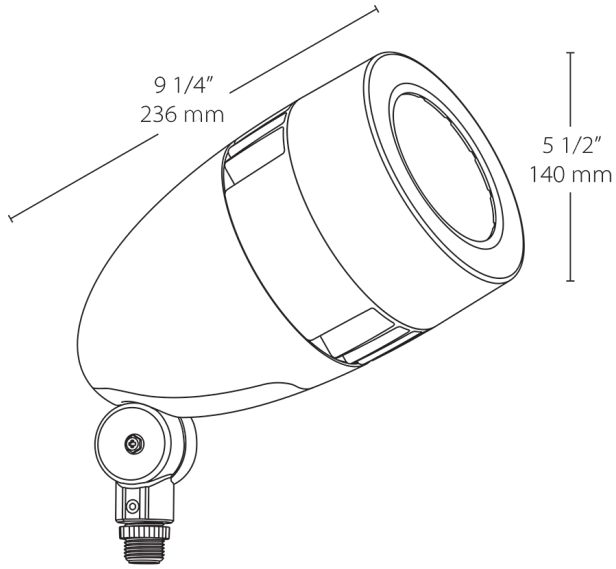
This product is a COTS item manufactured in the United States, and is compliant with the Trade Agreements Act.

#### GSA Schedule:

Suitable in accordance with FAR Subpart 25.4.

# HSLED18YA

## Dimensions



## Features

- 80% energy savings vs. PAR floods
- Mount on junction box or on RAB Mighty Post
- Patent-pending Air-Flow technology
- 5-year warranty

## Ordering Matrix

Family	Watts	Finish	Dimming
HSLED	18 = 18W	A = Bronze B = Black VG = Verde Green W = White	= No Dimming /D10 = Dimmable