

Catalog Number

Project

Type

Features & Specifications

Construction

Constructed with a die cast aluminum housing. A tempered glass lens protects the optical system. Gasketed side hinge door for a weatherproof seal. Stainless steel hardware.

Optical System

Made for medium mounting heights ranging from 12' to 18'. Two piece pinged aluminum reflector. Meets Dark Sky requirements for full cutoff fixtures.

Electrical System

Provided with a medium base 4KV pulse rated socket. Fixtures are available with up to 175W Metal Halide or 150W High Pressure Sodium light sources. Wall Packs come with an option of Multi-Tap (120V, 208V, 240V, 277V) or 480V high power factor ballasts.

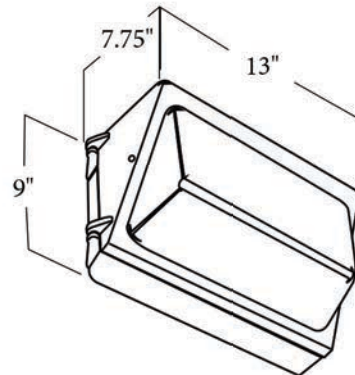
Mounting

Built in template for mounting to electrical boxes. Threaded 1/2" and 3/4" NPT knockouts provided on side and rear of fixture.

Finish

A Super Durable Polyester powder coat finish is electrostatically applied. Standard colors available: Black, Bronze, White, OD Green, US Green. Custom colors available upon request.

MWP SERIES MEDIUM WALL PACK



Est Shipping Weight: 18 lbs

Please contact your Techlight Sales Representative for more information.

Ordering Nomenclature

Ex: (Medium Cutoff Wall Pack 150W Pulse Start Metal Halide, Multi-Tap, Bronze = MWPB9A-BZ)

MWP

SERIES
MWP

LIGHT SOURCE
B1 = 70W PSMH
B2 = 100W PSMH
B3 = 175W MH
B4 = 70W HPS
B5 = 100W HPS
B6 = 150W HPS
B9 = 150W PSMH

VOLTAGE
A = Multi-Tap
B = 480V

PULSE-START
PS = Pulse-Start

FINISH
BK = BLACK
BZ = BRONZE
GR = OD GREEN
WH = WHITE
SP = SPECIAL