

Catalog Number	
Project	Type

Features & Specifications

Construction

Constructed with a full cutoff die cast aluminum housing. A tempered clear glass lens protects the optical system. Gasketed side hinge door for a weatherproof seal. Stainless steel hardware.

Optical System

Made for higher mounting heights ranging from 18' to 25'. Two piece pinged aluminum reflector. Tempered glass lens. Meets Dark Sky requirements for full cutoff fixtures.

Electrical System

Provided with a mogul base 4KV pulse rated socket. Fixtures are available with up to 400W Metal Halide and 400W High Pressure Sodium, light sources. Wall Packs come with an option of Multi-Tap (120V, 208V, 240V, 277V) or 480V high power factor ballasts.

Mounting

Built in template for mounting to electrical boxes. Threaded 1/2" NPT knockouts provided on the side and rear of fixture.

Finish

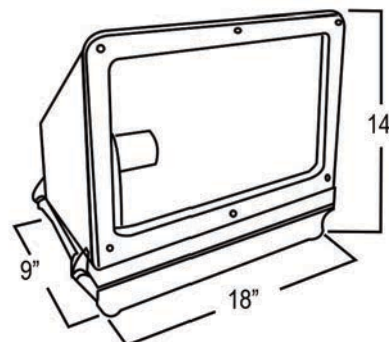
A Super Durable Polyester powder coat finish is electrostatically applied. Standard colors available: Black, Bronze, White, OD Green, US Green. Custom colors available upon request.



LWPB SERIES LARGE CUTOFF WALL PACK



Dimensions



Est Shipping Weight:
27 lbs

Please contact your Techlight Sales Representative for more information.

Ordering Nomenclature

Ex: (Large Cutoff Wall Pack 350W Pulse Start Metal Halide, Multi-Tap, Bronze = LWPB5A-PS-CO-BZ)

LWPB					
SERIES LWPB	LIGHT SOURCE 1 = 250W HPS 2 = 250W MH 3 = 400W HPS 4 = 400W MH 5 = 350W PSMH 6 = 320W PSMH	VOLTAGE A = Multi-Tap ¹ B = 480V <small>1-50W HPS is only offered with a 120V NPF Ballast.</small>	PULSE-START PS = PULSE-START	CUTOFF CO = CUTOFF	FINISH BK = BLACK BZ = BRONZE GR = OD GREEN WH = WHITE SP = SPECIAL